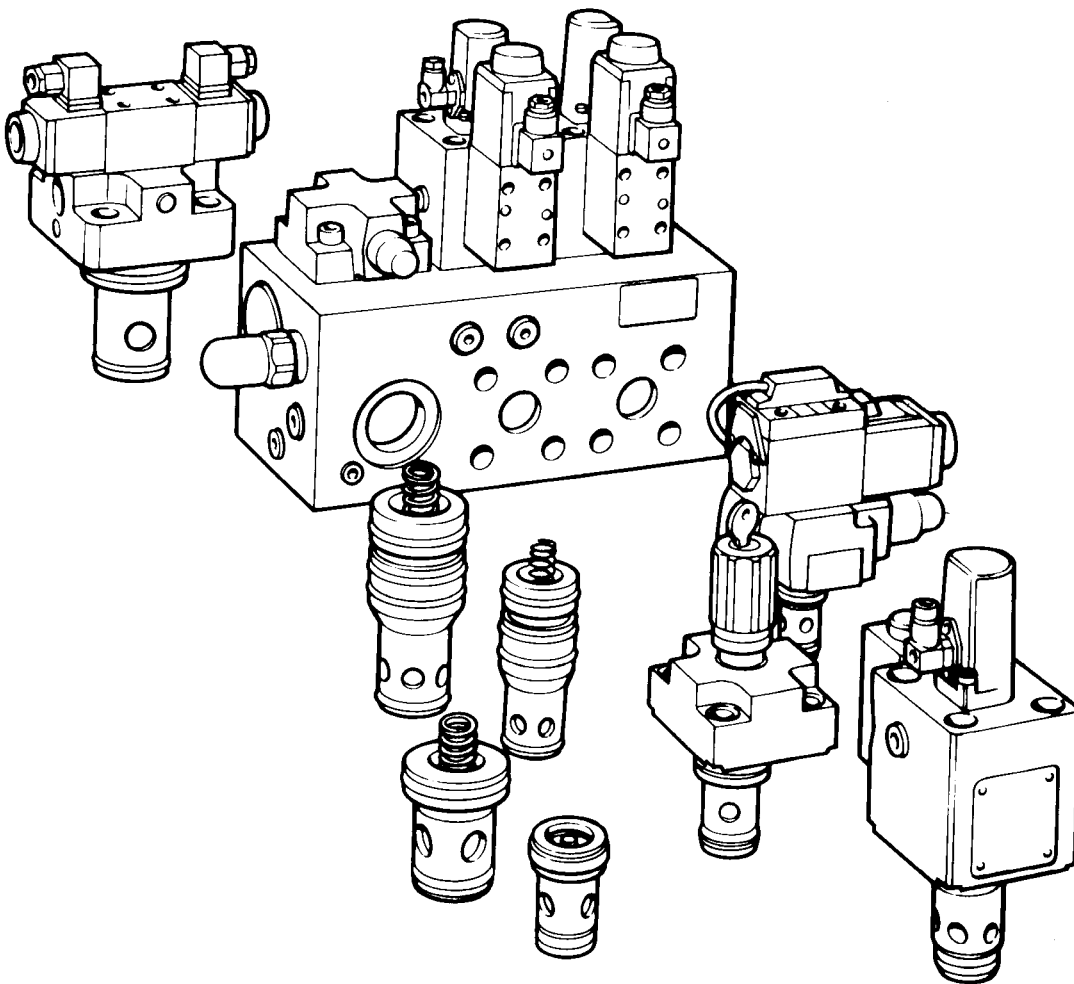


Vickers®

Cartridge Valves



Slip-in Cartridge Valves to ISO 7368 (DIN 24342)



Contents

Page

Availability Summary

Covers	4
Inserts	5
CVU units	6
Pilot control modules	6

Functional Symbols

Covers	7
Inserts	9

Introduction to Cartridge Valves	11
---	----

Features and Benefits	12
------------------------------------	----

Cartridge Valve Design	13
-------------------------------------	----

Applications, Ratings and Characteristics	16
--	----

Filtration Requirements	18
--------------------------------------	----

Check, Directional and Flow Restrictor Functions: Sizes 16 to 63 ■	19
---	----

Functional descriptions	20
Model codes	29
Performance data	32
Installation dimensions	35

■ For sizes 80 and 100 see pages 115-118

Pressure Relief & Venting Functions	43
--	----

Functional descriptions	44
Model codes	47
Performance data	49
Installation dimensions	51

Pressure Unloading/Relief Functions	55
--	----

Functional descriptions	56
Model codes	57
Performance data	59
Installation dimensions	61

Pressure Reducing Functions	63
--	----

Functional descriptions	64
Model codes	66
Performance data	68
Installation dimensions	70

Dynamic Functions	74
--------------------------------	----

Functional descriptions	74
Model codes	77
Performance data	79
Installation dimensions	80

Valvistor® Proportional Throttle Valves	83
--	----

Functional descriptions	85
Model codes	86
Operating data	87
Mounting bolts, Seal kits, Mass, Ordering procedure	91
Installation dimensions	92

Contents

Electrohydraulic Proportional Throttle Valves (Type EFP1)	93
Functional description	93
Model codes	94
Operating and performance data	95
Installation dimensions	97
Directional Valves with Electrical Indication (Type SWD)	98
Functional description	98
Model codes	100
Performance data	102
Installation dimensions	105
Mounting bolts, Seal kits, Mass, Ordering procedure	108
Special Function Valves	109
1:0.25 area ratio cartridge unit	109
Normally open prefill valve	110
Hydrostat functions	111
Model codes	112
Installation dimensions	114
Sizes 80 and 100 Cartridge Valves	115
Ratings	115
Functional symbols	116
Model codes	117
Installation dimensions	118
Pilot Control Modules	120
Functional description	120
Applications	120
Model codes	122
Installation dimensions	123
Supplementary Data	124
Standard orifice sizes and threads	124
Optional orifice kits, orifice plug assembly data	125
Orifice sizing guid	126
Pressure drop at other viscosities	127
Mounting bolt data	128
Seal kits	130
Insert cavity dimensions to ISO 7368:	
Sizes 16 to 63	131
Sizes 80 and 100	133
Ordering Procedure	135
Mass Summary	136
Service/Spares Policy	137
Warranty	137

Product Availability Summary - Covers

Sizes 16 to 40

Model type	Description	Size				Insert most commonly used with
		16	25	32	40	
A	Stroke adjuster	●	●	●	●	R16
A1/A3	Stroke adjuster with size 03 pilot interface	●	●	●	●	R16
B	Blank	●	●	●	●	DC16
C	Relief	●	●	●	●	D10, C10F
C1/C3	Relief with size 03 pilot interface	●	●	●	●	D10, C10F
C025	1:0.25 area ratio	●	●	●	●	C025
D1/D3	Directional with size 03 pilot interface	●	●	●	●	D16, R16
DC1/DC3	Dual check valve with size 03 pilot interface	●	●	●	●	D16, R16
HFV	Valvistor® proportional throttle	●	●	●	●	HFV
N	Basic	●	●	●	●	D105, D16
OD	Prefill valve		●	●	●	OD105
PC	Pilot operated check	●	●	●	●	D16
SC	Main system relief	●	●	●	●	D10
SC1/SC3	Main system relief with size 03 pilot interface	●	●	●	●	D10
U	Unloading relief	●	●	●	●	U
U1/U3	Unloading relief with size 03 pilot interface	●	●	●	●	U
W	Shuttle	●	●	●	●	D16
W11/W13	Shuttle type 1, with size 03 pilot interface	●	●	●	●	D16
W31/W33	Shuttle type 3, with size 03 pilot interface	●	●	●	●	D16
X	Pressure reducer	●	●	●	●	X2
X1/X3	Pressure reducer with size 03 pilot interface	●	●	●	●	X2
ZD1/ZD3	Dynamic with size 03 pilot interface	●	●	●	●	ZD105, ZDN105
ZDA1/ZDA3	Dynamic with stroke adjuster and size 03 pilot interface	●	●	●	●	ZD105, ZDN105

Sizes 50 to 100

Model type	Description	Size				Insert most commonly used with
		50	63	80	100	
A	Stroke adjuster	●	●	●	●	F
D2	Directional with size 05 pilot interface; UNC threads	●	●	●	●	D20, R D16, F
D5	Directional with size 05 pilot interface; metric threads	●	●	●		D20, R D16, F
HFV	Valvistor® proportional throttle	●	●			HFV
N	Basic	●	●	●	●	D11, D20 D16, F
ZD1/ZD3	Dynamic with size 03 pilot interface	●	●			ZD105, ZDN105
ZDA1/ZDA3	Dynamic with stroke adjuster and size 03 pilot interface	●	●			ZD105, ZDN105

Product Availability Summary - Inserts

Sizes 16 to 40

Model type	Description	Size				Cover most commonly used with
		16	25	32	40	
C025	1:0.25 area ratio	●	●	●	●	C025
C10F	1:1 area ratio with fixed orifice	●	●	●	●	(S)C, (S)C*
D10	Relief 1:1 area ratio	●	●	●	●	(S)C, (S)C*
D105	Directional 1:1.05 area ratio	●	●	●	●	A, D*, N
D105V	1:1.05 area ratio with variable orifice plug	●	●	●	●	A, D*, N
D16	Directional 1:1.6 area ratio	●	●	●	●	D*, N, PC, W, W1*, W3*
D20	Directional 1:2 area ratio	●	●	●	●	A, D*, N, PC, W, W1*, W3*
DC16	Direct check 1:1.6 area ratio	●	●	●	●	B
HFV	Valvistor® proportional throttle	●	●	●	●	HFV*
OD105	1:1.05 normally open (prefill)		●	●	●	OD
R16	Damping 1:1.6 area ratio	●	●	●	●	A, A*, D*, N
U	1:1 Unloading normally closed (sliding spool)	●	●	●	●	U, U*
X2	Reducing	●	●	●	●	X, X*
ZD105	Dynamic 1:1.05, zero pilot leakage	●	●	●	●	ZD*, ZDA*
ZDN105	Dynamic 1:1.05, fast response, low hysteresis	●	●	●	●	ZD*, ZDA*

Sizes 50 to 100

Model type	Description	Size				Cover most commonly used with
		50	63	80	100	
D11	Directional 1:1.1 area ratio	●	●			D*, N
D16	Directional 1:1.6 area ratio			●	●	D*, N
D20	Directional 1:2 area ratio	●	●			A, D*, N
HFV	Valvistor® proportional throttle	●	●			HFV*
F	Flow restrictor 1:1.6 area ratio			●	●	A, D*, N
F	Flow restrictor 1:2 area ratio	●	●			A
R	Damping 1:2 area ratio	●	●			A, D*, N
ZD105	Dynamic 1:1.05, zero pilot leakage	●	●			ZD*, ZDA*
ZDN105	Dynamic 1:1.05, fast response, low hysteresis	●	●			ZD*, ZDA*

Product Availability Summary - Units

Cartridge Valve Units (CVU-**)

Model type	Description	Valve size					
		16	25	32	40	50	63
EFP1	Proportional throttle (two-stage)	•	•	•	•		
OD11	Normally open pre-fill						•
SWD	Position monitor switch	•	•	•	•		
SWD3	Position monitor switch with size 03 pilot interface	•	•	•	•	•	•
ZSWD3	Dynamic position monitor switch with size 03 pilot interface	•	•	•	•		

Pilot Control Modules (CVG***-3)

Model type	Description
CVGC-3	Relief module: P-T
CVGCA-3	Relief module: A-T
CVGCPA-3	Relief module: P & A-T
CVGMS1-3	Shuttle module
CVGPC1-3	Pilot operated check valve
CVGS1-3	Shuttle valve

Functional Symbols - Covers

Cover type	Graphical symbol	Cover model
Directional with stroke adjuster		CVC(S)-**-A-*2(9)-*-10 Sizes 16-100
Directional with size 03▲ pilot interface & stroke adjuster		CVCS-**-A-*2(9)-*-10 Sizes 16-40
Blank		CVCS-**-B-*2(9)-10 Sizes 16-40
Relief (ISO 7368---A)		CVCS-**-C-*2(9)-*-***-11 Sizes 16-40
Relief with size 03▲ pilot interface (ISO 7368---A)		CVCS-**-C-*2(9)-*-***-11 Sizes 16-40
Directional with size 03▲ pilot interface		CVCS-**-D-*2(9)-10 Sizes 16-40
Directional with size 05◆ pilot interface		CVC-**-D-*2(9)-10 Sizes 50 & 63 (L.H. symbol) Sizes 80 & 100, (R.H. symbol)
Dual check valve with size 03▲ pilot interface		CVCS-**-DC-*2(9)-10 Sizes 16-40
Valvistor® proportional throttle		CVCS-**-HFV*-W-*2(9)-10 For models without free reverse flow capability CVCS-**-HFV*-*2(9)-10 For models with free reverse flow capability Sizes 16-63
Directional		CVC(S)-**-N-*2(9)-10 Sizes 16-100
Prefill		CVCS-**-OD-*2(9)-10 Sizes 25-40

■ No orifice/plug tapping on this port on size 16

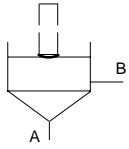
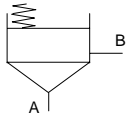
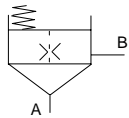
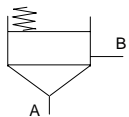
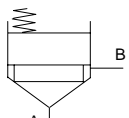
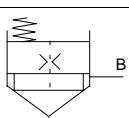
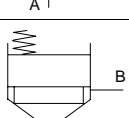
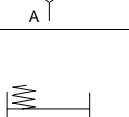
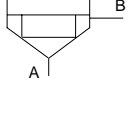
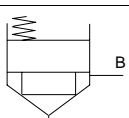
▲ ISO 4401, size 03 (ANSI/B93.7M-D03) ◆ ISO 4401, size 05 (ANSI/B93.7M-D05)

Functional Symbols - Covers (continued)

Cover type	Graphical symbol	Cover model
1:0.25 area ratio		CVCS-**-C025-*2(9)-10 Sizes 16-40
Pilot operated check		CVCS-**-PC-*2(9)-10 Sizes 16-40
Main system relief (ISO 7368---B)		CVCS-**-SC-*2(9)-*-***-10 Sizes 16-40
Main system relief with size 03▲ pilot interface (ISO 7368---B)		CVCS-**-SC*-*2(9)-*-***-10 Sizes 16-40
Unloading/relief		CVCS-**-U-*2(9)-*-***-11 Sizes 16-40
Unloading/relief with size 03▲ pilot interface		CVCS-**-U*-*2(9)-*-***-11 Sizes 16-40
Shuttle		CVCS-**-W-*2(9)-10 Sizes 16-40
Shuttle type 1 with size 03▲ pilot interface and W11/W13 function		CVCS-**-W1*-*2(9)-10 Sizes 16-40
Shuttle type 3 with size 03▲ pilot interface and W31/W33 function		CVCS-**-W3*-*2(9)-10 Sizes 16-40
Reducer		CVCS-**-X-*2(9)-11 Sizes 16-40
Reducer with size 03▲ pilot interface		CVCS-**-X*-*2(9)-11 Sizes 16-40
Dynamic with size 03▲ pilot interface	See page 74	CVCS-**-ZD*-*2(9)-10 Sizes 16-63
Dynamic with stroke limiter with size 03▲ pilot interface	See page 74	CVCS-**-ZDA*-*2(9)-10 Sizes 16-63

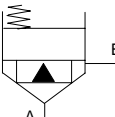
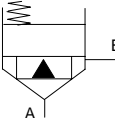
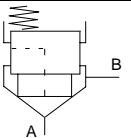
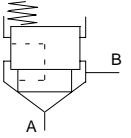
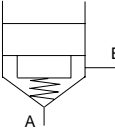
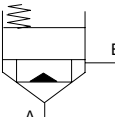
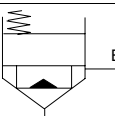
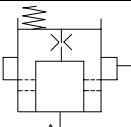
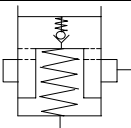
▲ ISO 4401, size 03 (ANSI/B93.7M-D03)

Functional Symbols - Inserts

Insert type	Function	Functional symbol	Area ratio $A_A : A_{AP}$	Sizes/ Insert model	Cracking pressure bar (psi)	
					A to B	B to A
1:0.25 area ratio	C025		1:0.25	Sizes 16-40: CVI-**-C025-4*	N/A – No spring used	
Relief, standard	D10		1:1	CVI-16-D10-M-4* CVI-25-D10-H-4* CVI-32-D10-H-4* CVI-40-D10-C-4*	1,55 (22.5) 3,1 (45) 3,1 (45) 2,35 (34)	– – – –
Relief with orifice	C10F		1:1	CVI-16-C10F-M-4* CVI-25-C10F-H-4* CVI-32-C10F-H-4* CVI-40-C10F-C-4*	1,55 (22.5) 3,1 (45) 3,1 (45) 2,35 (34)	– – – –
Directional	D10		1:1	Sizes 16-40: CVI-**-D10-L-4* CVI-**-D10-M-4* CVI-**-D10-H-4*	0,31 (4.5) 1,55 (22.5) 3,1 (45)	– – –
Directional	D105		1:1.05	Sizes 16-40: CVI-**-D105-L-4* CVI-**-D105-M-4* CVI-**-D105-H-4*	0,33 (4.8) 1,65 (24) 3,3 (48)	– ▲ ▲
Directional with orifice	D105V		1:1.05	Sizes 16-40: CVI-**-D105V-L-4* CVI-**-D105V-M-4* CVI-**-D105V-H-4*	0,33 (4.8) 1,65 (24) 3,3 (48)	▲ ▲ ▲
Directional	D11		1:1.1	Sizes 50 & 63: CVI-**-D11-L-1* CVI-**-D11-M-1* CVI-**-D11-H-1*	0,3 (4) 1,4 (20) 2,7 (39)	▲ ▲ ▲
Directional	D16		1:1.6	Sizes 16-40: CVI-**-D16-L-4* CVI-**-D16-M-4* CVI-**-D16-H-4* Sizes 80 & 100: CVI-**-D16-L-1* CVI-**-D16-M-1* CVI-**-D16-H-1*	0,5 (7.3) 2,5 (36.3) 5,0 (73) 0,3 (4.4) 1,0 (14.5) 2,0 (29)	0,83 (12) 4,17 (60) 8,3 (120) 0,48 (7) 1,6 (23.2) 3,2 (46.6)
Directional	D20		1:2	Sizes 16-63: CVI-**-D20-L-1* CVI-**-D20-M-1* CVI-**-D20-H-1*	0,5 (7.3) 2,5 (36.3) 5,0 (73)	0,5 (7.3) 2,5 (36.3) 5,0 (73)
Direct check	DC16		1:1.6	Sizes 16-40: CVI-**-DC16-L-4* CVI-**-DC16-M-4* CVI-**-DC16-H-4*	0,5 (7.3) 2,5 (36.3) 5,0 (73)	0,83 (12) 4,17 (60) 8,3 (120)

▲ D105 and D11 inserts not normally used for flow from "B" to "A".

Functional Symbols - Inserts (continued)

Insert type	Function	Functional symbol	Area ratio $A_A : A_{AP}$	Sizes/ Insert model	Cracking pressure bar (psi)	
					A to B	B to A
Flow restricting	F		1:1.6	Sizes 80 & 100: CVI-**-F-L-1* CVI-**-F-M-1* CVI-**-F-H-1*	0,3 (4.4) 1,0 (14.5) 2,0 (29)	0,48 (7) 1,6 (23.2) 3,2 (46.6)
Flow restricting	F		1:2	Sizes 50 & 63: CVI-**-F-L-1* CVI-**-F-M-1* CVI-**-F-H-1*	0,5 (7.3) 2,5 (36.3) 5,0 (73)	0,5 (7.3) 2,5 (36.3) 5,0 (73)
Valvistor® proportional throttle	HFV	 	1:2	Sizes 16-63: CVI-**-HFV-20-A-***-1* Sizes 16-63: CVI-**-HFV-20-B-***-1*	–	–
Normally open	OD105		♦	Sizes 25, 32 & 40: CVI-**-OD105-4*	Normally open Pilot pressure to close: 2,5 (36.3) + P _A + 0.05 P _B	
Damping	R		1:2	Sizes 50 & 63: CVI-**-R-L-1* CVI-**-R-M-1* CVI-**-R-H-1*	0,5 (7.3) 2,5 (36.3) 5,0 (73)	0,5 (7.3) 2,5 (36.3) 5,0 (73)
Damping	R16		1:1.6	Sizes 16-40: CVI-**-R16-L-4* CVI-**-R16-M-4* CVI-**-R16-H-4*	0,6 (8.7) 3,0 (43.5) 6,0 (87)	1,0 (14.5) 5,0 (72.5) 10,0 (145)
Unloading	U		1:1	Sizes 16-40: CVI-**-U-4*	3,5 (51)	–
Reducing	X2		–	Sizes 16-40: CVI-**-X2-4*	–	1,8 (26.1)
Dynamic, zero pilot leakage	ZD105	See page 74	♦	Sizes 16-63: CVI-**-ZD105-L-1* CVI-**-ZD105-M-1* CVI-**-ZD105-H-1*	1,0 (14.5) 2,5 (36.3) 4,5 (62.2)	– – –
Dynamic, fast response, low hysteresis	ZDN105	See page 74	♦	Sizes 16-63: CVI-**-ZDN105-L-1* CVI-**-ZDN105-M-1* CVI-**-ZDN105-H-1*	0,5 (7.3) 2,0 (29) 4,0 (58)	– – –

♦ Spool geometry based on 1:1.05 ratio spools.

Introduction to Cartridge Valves

Design Concept

Poppet type valves have been used in hydraulic systems for many years. They are commonly known as two-port check valves. In this form, they serve as a one-way valve, allowing free flow in one direction while blocking flow in the reverse direction. With some refinements, these valves can be controlled to overcome the normal blocking action, thereby allowing control of flow in both directions. This is the basis of the control concept known as cartridge valves.

Refinements in hydraulic system development have led to greater use of manifold block construction. Block systems eliminate a multitude of interconnecting lines between components, thereby virtually eliminating potential leakage points and related oil waste. Inserting the active element of cartridge valves into standardized cavities in the manifold, and retaining this insert by a passive block (cover), completes the cartridge valve concept.

Vickers New Design

Vickers valves are defined as slip-in cartridge valves to differentiate them from another type known as screw-in. Generally, slip-in valves are associated with relatively high flows, i.e. 150 L/min (40 USgpm) or more. Slip-in cartridge valves, which will henceforth be referred to simply as cartridge valves in this catalog, are targeted at more efficient, faster and more compact hydraulic systems. Vickers has developed its cartridge valve system technology to meet the changing needs of new generations of hydraulically operated machinery and equipment. Today's machines need controls that are exceptionally cost effective and energy efficient. Vickers cartridge valves fulfill these needs.

Cartridge Valve Advantages

- System design flexibility
- Lower installed cost
- Smaller package size
- Better performance and control
- Improved reliability
- Higher pressure capability
- More efficient operation
- Elimination of external leakage and reduction of internal leakage
- Greater contamination tolerance
- Faster cycle times

System Design Considerations

Cartridge valves offer an alternative rather than a replacement for conventional sliding spool valves. Often, the most economical system incorporates combinations of manifold mounted spool valves and screw-in and slip-in cartridge valves. Engineers faced with a system design problem should consider all possibilities before deciding on a particular solution. Cartridge valve systems will become more cost effective if some of the following design parameters are significant.

- Flow rates exceeding 150 L/min (40 USgpm)
- Working pressure above 210 bar (3000 psi)
- Small envelope size
- Complex circuitry
- Fast response
- Low internal leakage
- Good stability
- Low noise level

Because cartridge valves are two-position valves, a single valve can control flow between only two major flow points in a system. Thus, for example, four cartridge valves are required to replace a typical three position, four-way spool valve (Figure 1).

Operating characteristics of cartridge valves can be altered easily to fine tune the motions of a machine. For instance, a cartridge cover can be changed to control poppet time and travel, thus controlling actuator acceleration and speed. Shock is easily avoided by carefully sizing orifices in the valve cover and by timing the opening and closing sequence of individual cartridges. In conventional spool type valves, timing of the opening or closing of all four ports occurs simultaneously with less ability to avoid shock.

Conventional spool valves must be sized for the highest flow at any one port. When differential-area cylinders are used, a spool valve would probably be sized for the return flow rate out of the head end of the cylinder. Cartridge valves, on the other hand, are sized to handle only the flow required through their individual ports. Economies are realized and the system is optimized.

Cartridge valves are compatible with computer or programmable controls via electrically modulated pressure and flow control models. Simple on-off solenoid pilot controls, as well as air operated types, are also available. The Vickers soft shift pilot valves DG4V-3S-****2** (catalog 614) can also be used to achieve smooth opening and closing.

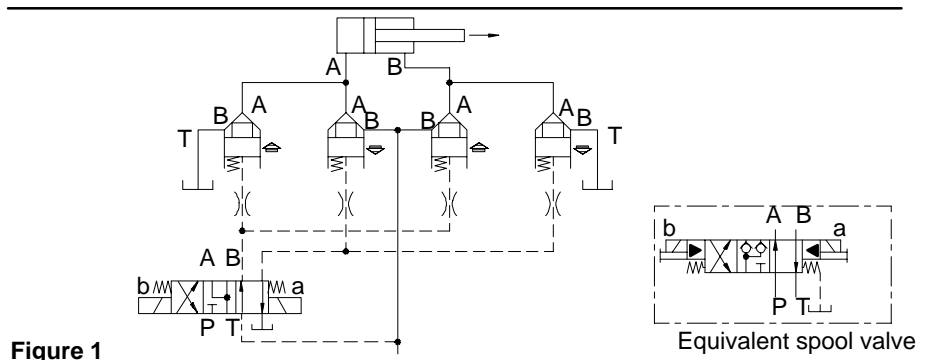


Figure 1

Features and Benefits

Features	Benefits
Positive-seating check type valving mechanism	<ul style="list-style-type: none"> ● Minimum internal valve leakage with little energy waste. ● Improved control of load holding enhances machine performance. ● Higher flow capacity results in more economical valve sizing. (Check type valve opening area is greater than that of equal port size spool valves.) ● Lower pressure drops with less heat generation provide greater machine efficiency. ● Faster response – up to four times faster than spool type valves – allows faster machine cycling for greater productivity. Flow begins as soon as the cartridge check type valve poppet lifts off its seat. (Spool valves must clear their overlap before flow begins.)
Individual port control	<ul style="list-style-type: none"> ● Each cartridge can be tuned to reduce system shock, resulting in smoother machine operation. ● Each cartridge in a system can be sized for the actual flow encountered, optimizing component size and cost. (Spool valves must be sized for the maximum flow seen at any of their ports.) This is a refinement over spool type valves wherein all ports are affected simultaneously by spool movement, and the demands of one port compromise the others.
Cartridges combine functions of direction, flow and/or pressure	<ul style="list-style-type: none"> ● Multi-function reduces the number of valving components required, resulting in lower machine costs.
Manifold block assemblies that are compact, neat and low in weight	<ul style="list-style-type: none"> ● Machine system installation is easier and faster, thereby reducing assembly costs. ● Piping can be eliminated, providing leak free construction. ● Cartridges can be easily serviced without disturbing system piping, thereby increasing machine uptime and reducing maintenance time and costs.
Sealing on the cover's pilot diameter, rather than at the cover/manifold interface – Vickers design: sizes 16 to 63	<ul style="list-style-type: none"> ● Provides greater sealing reliability, particularly at high pressures. ● Cavity machining becomes less critical. See Figure 2 for the Vickers approach. ● No shimming required. ● Vickers is the only supplier to offer low leakage design at high pressure. ● Control ports alignment ensured by cover pilot diameter.
Headloss	<ul style="list-style-type: none"> ● Vickers new “best in class” cartridge valves offer more power efficiency.
Flexibility	<ul style="list-style-type: none"> ● Components can be individually matched to system requirements.
Serviceability	<ul style="list-style-type: none"> ● System can be easily serviced as all valves are surface mounted.
Reliability	<ul style="list-style-type: none"> ● Cartridge technology proven over several decades of use. ● All Vickers valves undergo full fatigue and endurance tests before release. ● 350 bar (5000 psi) rating.

Cartridge Valve Design

Construction

Vickers cartridge valves are similar to poppet check valves and consist of an insert assembly that slips into a cavity machined into a manifold. This cavity is made to ISO 7368 or to DIN 24342.

The insert is retained in the cavity by a control cover which is bolted to the manifold. The insert consists of a sleeve, poppet, spring and seals. Typically, inserts and covers are supplied separately, e.g. insert model CVI-**-D10 and cover model CVCS-**-C (relief valve) shown in Figure 2. For some functions, inserts and covers are supplied as a unit (complete assembly); e.g. the CVU-**-EFP1 (proportional throttle) shown on page 93.

Drilled holes in the manifold connect insert main ports A and B to other cartridges or to the operating hydraulic system. Similarly, drilled control lines in the manifold interconnect control ports X, Z₁, and Z₂ as desired, see pages 131 and 133 for port locations to ISO 7368. Drain port Y is always connected directly to the reservoir.

◆ Sizes 16 to 63. For sizes 80 and 100, see page 115.

Three different spring rates provide a selection of insert poppet cracking pressures.

The control cover can also contain a manual adjustment for limiting poppet lift and flow rate. Provision is made for the fitting of various orifices to optimize or tune cartridge valve response in relation to that of the complete hydraulic system. Some covers have an ISO 4401 size 03 or size 05 (ANSI/B93.7M-D03 or D05) interface for integrally mounting a pilot directional, or pressure, control valve, (optional inch or metric thread mounting bolts). Control functions can be expanded by adding control modules between the pilot valve and the cover.

Typical single cartridge arrangements are symbolized on the following pages. Your Vickers representative can illustrate various grouped arrangements. Grouping cartridge assemblies for control by one or more common pilot valves can provide directional, check, pressure and/or flow restrictor functions for flow rates up to 5500 L/min (1450 USgpm) per cartridge.

Functions

Cartridge valves for *directional* and *check* functions are essentially hydraulically piloted check valves. Cartridge *relief* valves feature manual pressure setting adjustment. Additionally, venting and remote piloting are possible. Alternative arrangements include electrical selection of pressure or venting, and of dual pressure settings and venting, via a pilot valve mounted to the cartridge cover. Electrohydraulic proportional control of pressure is also available.

Relief valve arrangements described in this catalog can be built into system manifold assemblies in combination with directional flow regulating and pressure reducing functions in cartridge form.

The basic pressure *reducing* cartridge arrangement features manual adjustment of reduced pressure, plus a pilot port for optional remote control. Options include electrical selection of high and low pressures, and electrohydraulic proportional control of reduced pressure.

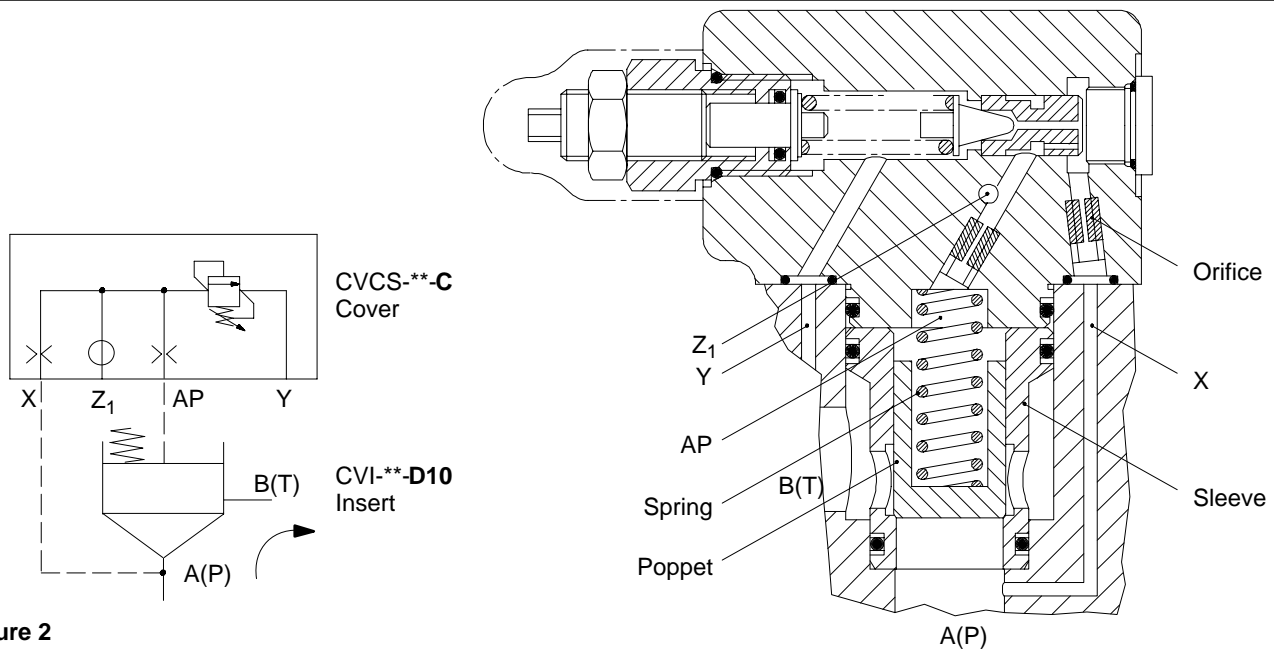


Figure 2

Poppet Area Ratios

A cartridge valve is simply a two-port valve that blocks flow, allows free flow, or modulates flow or pressure.

A basic cartridge valve insert, Figure 3, consists of a sleeve, spring, and poppet. The insert has three areas, identified as A_A , A_B and A_{AP} , that affect the opening or closing of the valve poppet relative to the seat in the sleeve. The A-port area is the circular area defined by the seat diameter. The B-port area is the annular area between the seat and the outside diameter of the poppet. Area AP is the circular area defined by the diameter of the poppet. Pressure on the AP area, plus the spring force, holds the poppet against the seat.

Pressure on the A_A and A_B areas tends to lift the poppet off the seat, allowing flow through the valve.

- A** = Main port
- B** = Main port
- AP** = Spring chamber
- A_A** = Effective area of port A
- A_B** = Effective area of port B (annular)
- A_{AP}** = Area related to poppet diameter

The valve opens and closes in accordance with the force balance formula:

$$(P_{AP} \times A_{AP}) + F_S - (P_A \times A_A) - (P_B \times A_B) - F_f$$

< 0 Valve opens
 > 0 Valve closes

- Where:
- F_S** = Spring force
 - F_f** = Flow force

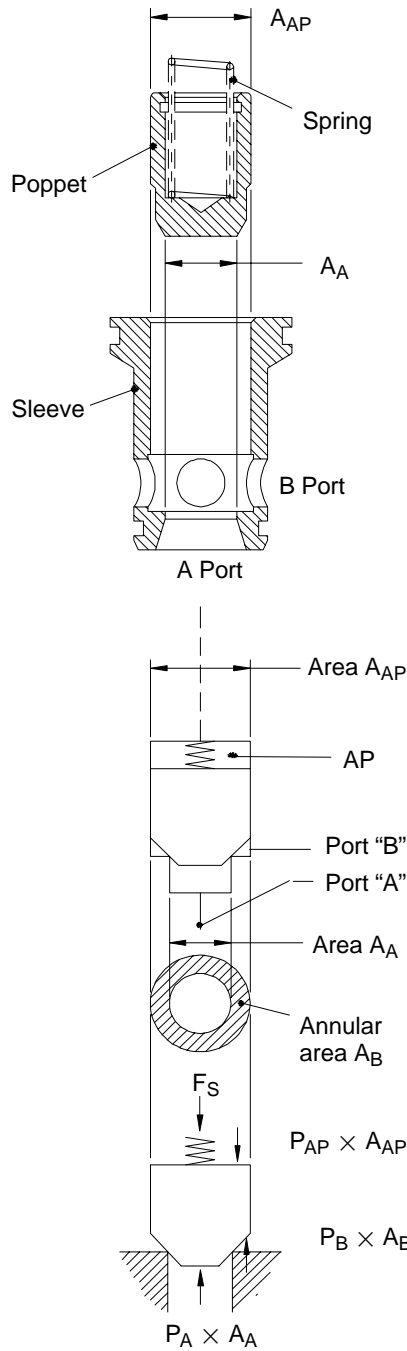
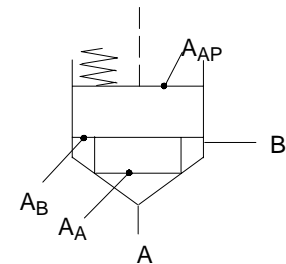


Figure 3

Referring to a 1:1.6 poppet area ratio ($A_A:A_{AP}$), Figure 4, the poppet will remain closed, thereby blocking flow between ports A and B as long as pressure in area A_{AP} , plus the spring force, exceeds pressure on either area A_A , annulus A_B , or their combined effect. Flow force (F_f) plays a role when the valve is open, but will not be covered in this catalog.

Graphic Symbol



Spool area ratio
 $A_A:A_{AP} = 1:1.6$

Figure 4

Vickers range of cartridge valves includes five operating area ratios:

- 1:2 area ratio, where A_{AP} is 2 x the A-port area, and ports A and B areas are equal. This valve is used primarily for directional control.
- 1:1.6 area ratio, where A_{AP} is 1.6 x the A-port area. This valve is used primarily for directional control.
- 1:1.05 area ratio, where A_{AP} is 1.05 x A-port area. This valve is used for directional control or pressure control.
- 1:1.1 area ratio, where A_{AP} is 1.1 x A-port area. This valve is used for directional control or pressure control.
- 1:1 area ratio, where A_{AP} equals the A-port area and the B-port area is zero. This valve is used for pressure control.

Figure 5 shows area ratio relationships, associated hydraulic symbols, and related model codes. The 1:1.1 area ratio is not shown, but is similar to the 1:1.6

The reducer insert, Figure 6, differs from other inserts in that it has a spool type valving mechanism, rather than poppet type, and has an integral check valve to relieve surge pressures in the reduced pressure A (load) port. The reducer insert is normally closed, i.e. the spool tends to widen the hole opening in the sleeve with increased load pressure at port A. Flow is always from port B to port A.

Unlike most reducing valves, pilot pressure is obtained from high-pressure port B rather than from reduced-pressure port A, thus providing significantly more flow capacity.

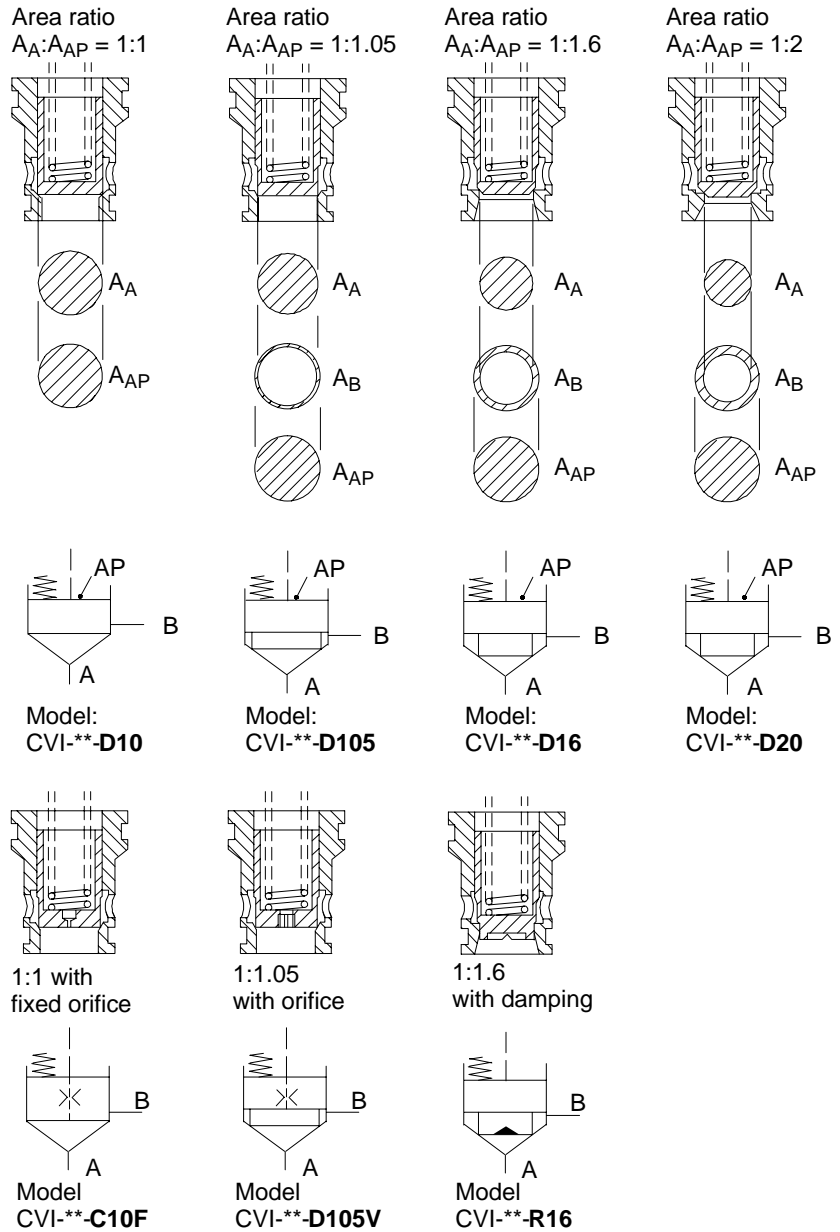


Figure 5

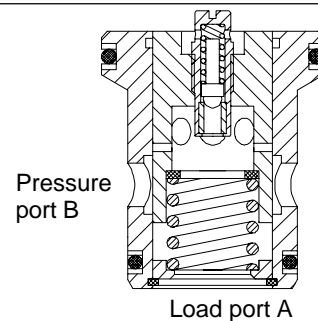
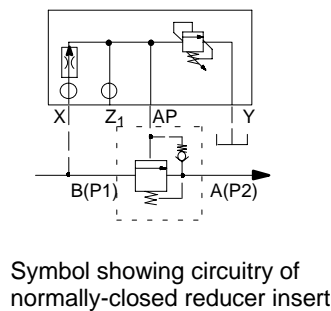
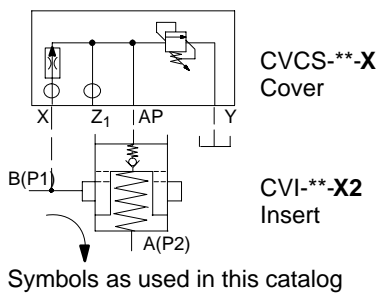


Figure 6

Applications, Ratings and Characteristics

Applications

Cartridge valves are generally used in medium to high pressure hydraulic systems, where flows may be greater than 150 L/min (40 USgpm), to provide power transmission and motion control in a wide variety of applications.

- Presses
- Plastics molding machines
- Die casting machines
- Shears and balers
- Machine tools and metal forming machinery
- Steel mill machinery and other primary metal processing equipment
- Mobile vehicles
- Marine

Response Time

Response time is generally faster than that of large spool type valves which have to clear their overlap before flow starts. With cartridge valves, flow starts as soon as the poppet starts to lift off the seat in the cartridge sleeve. A typical DG4V-3(S) solenoid operated pilot valve starts to pass pilot flow about 10 ms after it is energized. Full opening time of the cartridge valve depends on the operating pressure and the control orifice size used. Sizing of control orifices is key to tuning the relative response of each cartridge unit. A guide to orifice sizing is on page 126.

Temperature Limits

Ambient min. . . . -20°C (-4°F)
Ambient max. . . +70°C (+158°F)

Fluid temperatures:

	Petroleum oil	Water-containing
Min.	-20°C (-4°F)	+10°C (+50°F)
Max.	+80°C (+176°F)	+54°C (+129°F)

Viscosity

The extreme viscosity range is from 500 to 5 cSt (2270 to 42 SUS) but the recommended running range is from 54 to 13 cSt (245 to 70 SUS). For further information about fluids see leaflet B-920 or 694.

Fluids and Seals

Sizes 16 to 63

All seals are Buna-N. Water glycol, water-in-oil emulsion fluids and petroleum oil may be used with these standard seals.

The use of synthetic fire-resistant fluids requires a valve with special seals. Add prefix "F3" to the model code when phosphate ester type fluids or their blends are to be used. Alkyl-based or chlorinated hydrocarbon fluids are not to be used.

Sizes 80 and 100

Fluorocarbon seals (F3) are standard. These are compatible with water glycol, water-in-oil emulsion fluids, petroleum oil and synthetic fire-resistant fluids.

Alkyl-based or chlorinated hydrocarbon fluids are not to be used.

All Sizes

Cartridges may be used up to 70 bar (1000 psi) with high water base (5/95) fluids. For higher pressures, consult your Vickers representative. Contact your fluid supplier for seal recommendations. For additional information, request catalog 694.

Solenoid Orientation

Where pilot valves are shown in this catalog, solenoid identification is according to the US ANSI B93.9 standard requiring solenoid "a" be energized to connect port "P" to port "A" and/or solenoid "b" to connect "P" to "B", independent of solenoid location. Refer to applicable pilot valve catalog for further options and details (see page 19).

Mounting Attitude

Unrestricted for cartridges. Good practice suggests that detented pilot valves, e.g. DG4V-3(S)-2N models, be mounted so that their longitudinal axis is horizontal.

Ratings

See chart below.

Nominal flow rate at 5 bar (72 psi)

pressure drop for insert types:

C10F, D10, D105V for sizes 06-10 (NG16-40)

D11 for sizes 11 and 12 (NG50 and 63)

D16 for sizes 13 and 14 (NG80 and 100)

Nominal size ▲ ISO 7368 (DIN 24342)	Flow		Maximum operating pressure
	L/min	USgpm	
06 (NG16) (approx. 5/8")	230	60	
08 (NG25) (approx. 1")	550	145	
09 (NG32) (approx. 1 1/4")	900	238	
10 (NG40) (approx. 1 9/16")	1200	317	350 bar
11 (NG50) (approx. 2")	1700	449	(5000 psi)
12 (NG63) (approx. 2 1/2")	2800	740	
13 (NG80) (approx. 3")	3500	925	
14 (NG100) (approx. 4")	5500	1450	

▲ Nominal size relates to drilled hole (port size) in manifold that connects one cartridge to another.

Orifices

Throughout this catalog, graphical symbols are used to describe the function of the cartridge cover and inserts. By changing orifice sizes or adding or deleting them, a cartridge can be fine tuned to achieve desired machine operation. Figure 7 shows a sample graphical symbol with orifices described. Standard orifice sizes and optional orifice kits are shown on pages 124 and 125.

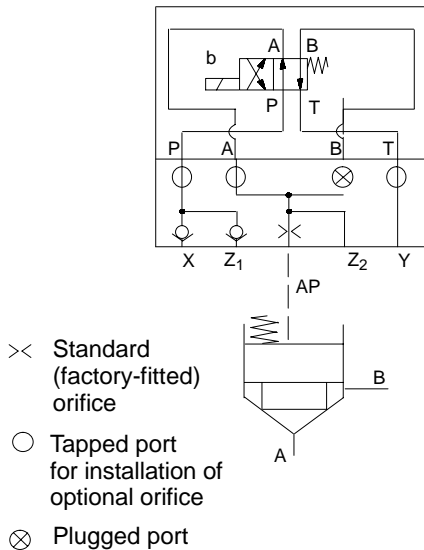


Figure 7

Metric (Inch) Design

Dual dimensioning is used throughout this catalog.

Inserts (CVI) are universal in design.

Optional variations in covers cater for regional preferences for either inch/SAE or metric/BSPF thread combinations for pilot valve mounting bolts, gage ports and orifice/blanking plugs.

Typically:

Covers type CVC(S)-**-*1 (or *2) have UNC/UNF threads for pilot valve mounting bolts and orifice/closure plugs, with SAE gage ports if applicable.

The "metric" versions, type CVC(S)-**-*3 (or *5) have metric threads for pilot valve mounting bolts and orifice/closure plugs, with BSPF gage ports if applicable.

Leakage

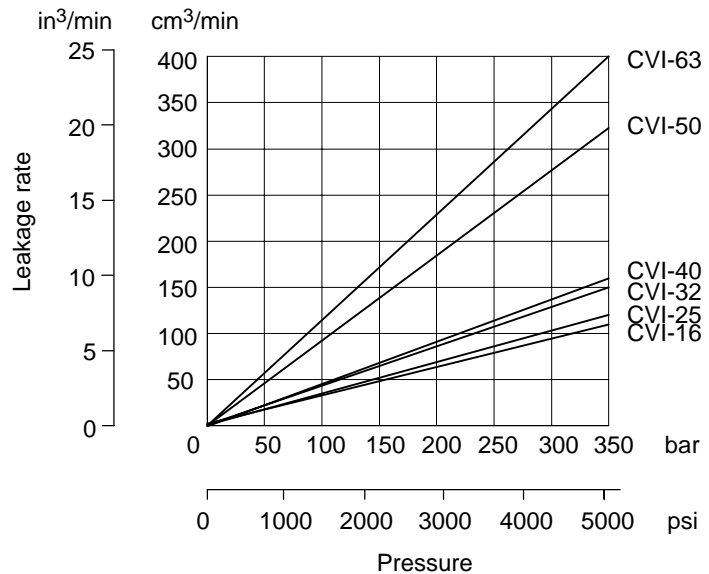
Excepting pressure reducing and unloader cartridge inserts, which have spool type construction, inserts are designed with a positive-seating poppet mechanism. Therefore, there is virtually no leakage between ports A and B when the poppet is held in the closed position (Figure 2, page 13). However, leakage can pass through the diametral clearance between area AP and port B.

Leakage should be considered when designing circuits; see graph for maximum leakages. Proper orientation of the cartridge and pilots can yield very low internal leakage in systems.

Maximum Internal Leakages

Fluid viscosity 36 cSt (168 SUS)

Data for sizes 80 and 100 on request.



Filtration Requirements

Essential information on the correct methods for treating hydraulic fluid is included in the Vickers publication 561 or 9132 "Vickers Guide to Systemic Contamination Control", available from your local Vickers distributor or by contacting Vickers.

Recommendations on filtration and the selection of products to control fluid

condition are included in Vickers publication 561 or 9132.

Recommended cleanliness levels using petroleum oil under common conditions are based on the highest fluid pressure levels in the system.

In referencing the table below, the shaded areas highlight the

recommended cleanliness level for cartridge valves and proportional throttles.

Fluids other than petroleum, severe service cycles or temperature extremes are cause for adjustment of these cleanliness codes. See Vickers publication 561 or 9132 for exact details.

Product	System Pressure Level		
	< 140 bar (2000 psi)	140-210 bar (2000-3000 psi)	> 210 bar (3000 psi)
Fixed Gear Pumps	20/18/15	19/17/15	18/16/13
Fixed Vane Pumps	20/18/15	19/17/14	18/16/13
Fixed Piston Pumps	19/17/15	18/16/14	17/15/13
Variable Vane Pumps	19/17/15	18/16/14	17/15/13
Variable Piston Pumps	18/16/14	17/15/13	16/14/12
Directional (solenoid) Valves		20/18/15	19/17/14
Pressure (modulating) Valves		19/17/14	19/17/14
Flow Controls (standard)		19/17/14	19/17/14
Check Valves		20/18/15	20/18/15
Cartridge Valves		20/18/15	19/17/14
Screw-in Valves		18/16/13	17/15/12
Prefill Valves		20/18/15	19/17/14
Load-sensing Directional Valves		18/16/14	17/15/13
Hydraulic Remote Controls		18/16/13	17/15/12
Proportional Directional (throttle) Valves		18/16/13	17/15/12*
Proportional Pressure Controls		18/16/13	17/15/12*
Proportional Cartridge Valves		18/16/13	17/15/12*
Proportional Screw-in Valves		18/16/13	17/15/12
Servo Valves		16/14/11	15/13/10*
Cylinders	20/18/15	20/18/15	20/18/15
Vane Motors	20/18/15	19/17/14	18/16/13
Axial Piston Motors	19/17/14	18/16/13	17/15/12
Gear Motors	21/19/17	20/18/15	19/17/14
Radial Piston Motors	20/18/14	19/17/13	18/16/13
Swashplate Design Motors	18/16/14	17/15/13	16/14/12*
Hydrostatic Transmissions (in-loop fluid)	17/15/13	16/14/12*	16/14/11*
Ball Bearing Systems	15/13/11*	15/13/11*	15/13/11*
Roller Bearing Systems	16/14/12*	16/14/12*	16/14/12*
Journal Bearings (high speed)	17/15/13	17/15/13	17/15/13
Journal Bearings (low speed)	18/16/14	18/16/14	18/16/14
General Industrial Gearboxes	17/15/13	17/15/13	17/15/13

* Requires precise sampling practices to verify cleanliness levels.

Check, Directional and Flow Restrictor Functions

Sizes 16 to 63 (For sizes 80 and 100 see pages 115–118)

General Information

Cartridge valves for directional and check functions are essentially hydraulically piloted check valves. Control options include single or multiple pilot arrangements, flow restrictors, and solenoid controlled, pilot operated directional control. Grouping cartridge assemblies (selected individually according to flow requirements) for control by one or more common pilot valves can provide directional, check and/or flow restrictor functions for normal flow rates up to 2800 L/min (740 USgpm) per cartridge.

Typical single cartridge arrangements are symbolized on the following pages, and your Vickers representative can illustrate various grouped arrangements. Basic poppets are illustrated. Others provide flow restrictions between ports A and B and internal pilot orificing between port A and spring chamber AP. Poppets can be combined with different springs to provide three different cracking pressures. Standard combinations are shown in the inserts model code on page 31.

Pressure Ratings

Maximum pressure allowable at ports A and B is 350 bar (5000 psi) for all cartridges.

Minimum pressure is 0,3 to 5 bar (4.4 to 72 psi), dependent on the poppet/spring combination. See inserts model code on page 31.

The maximum pressure limit at pilot ports X, Z₁, Z₂ and AP and pilot valve interface ports P, T, A and B is generally 350 bar (5000 psi), dependent on the limit of any associated pilot valve or module.

Pilot port Y maximum pressure limit is also 350 bar (5000 psi). However, port Y is normally used as the pilot drain port, when it should be connected directly to the reservoir. In many functions any pressure at port Y is additive to the set opening/cracking pressure of the cartridge.

Remote Pilot Operated Functions

Remote piloted arrangements (pilot not integrally mounted on cartridge cover) require the application of pilot flows and pressures appropriate to the application and within the limits of any associated pilot valves and modules, whichever have the lower limits.

See pilot operated check valve information, page 20.

Pilot Control Modules

Details of CVG***-3 pilot control modules are shown on pages 120-123.

Flow Ratings

Nominal size ISO 7368 (DIN 24342)	Nominal flow at $\Delta p = 1 \text{ bar (14.5 psi)}$		Nominal flow at $\Delta p = 5 \text{ bar (72 psi)}$	
	L/min	USgpm	L/min	USgpm
06 (NG16)	90	24	230	60
08 (NG25)	210	55	550	145
09 (NG32)	425	112	900	238
10 (NG40)	650	172	1200	317
11 (NG50)	900	238	1700	449
12 (NG63)	1200	330	2800	740

Index to Functional Descriptions on Following Pages

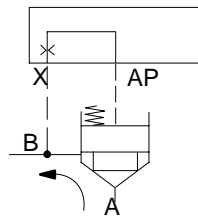
	<i>Page</i>
Basic check valve using type N cover	20
Direct-acting check valve using type B cover	20
Pilot operated check valve	20
2-way, 2-position, bi-directional control	21
2-way, 2-position, uni-directional control	21
Damping function	22
Pilot shuttle control	22
Adjustable stroke limiter; bi-directional control	27
Adjustable stroke limiter; uni-directional control	27
Solenoid controlled, pilot operated models	
2-way, 2-position; single- and double-solenoid control; sizes 16 to 40	23
2-way, 2-position; single- and double-solenoid control; sizes 50 and 63	24
Shuttle type 1 (cover types W11/W13)	25
Shuttle type 3 (cover types W31/W33)	25
Dual check (cover types DC1/DC3)	26
Adjustable stroke limiter; bi-directional control	27

Check Valve Functions

Basic Check Valve: Sizes 16 to 63

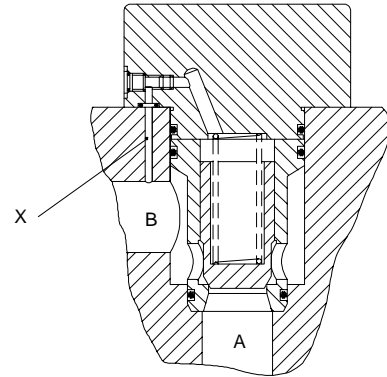
The standard directional cover (model code letter N), contains a pilot pressure passage with an orifice to control the poppet's opening and closing rate.

When used with insert model D16 (1:1.6 area ratio poppet), or model D20 (1:2 area ratio poppet), the combined cover and insert, Figure 8, becomes a check valve. Port X in the cover is connected to port B in the insert. This allows free flow from insert port A to port B while blocking flow from B to A.



CVC(S)-**N
Cover

CVI-**-D16, or
CVI-**-D20
Insert

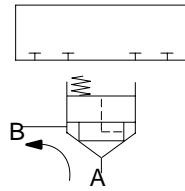


Basic poppet
 $A_A:A_{AP} = 1:1.6$ or
 $A_A:A_{AP} = 1:2$

Figure 8

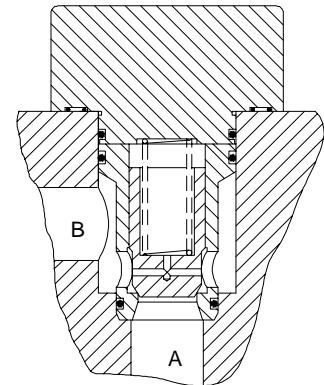
Direct Acting Check: Sizes 16 to 40

The type DC16 insert is used with the type B cover to provide a direct check function, Figure 9. The free flow direction is A to B. Flow in the opposite direction (B to A) is prevented by connecting port B to the full poppet area A_{AP} , via drilled holes on the poppet, whereby any pressure at port B assists the spring in holding the poppet hard on to its seat.



CVCS-**-B
Cover

CVI-**-DC16
Insert



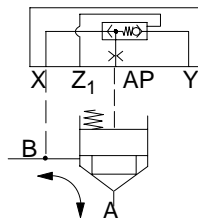
Basic poppet
 $A_A:A_{AP} = 1:1.6$

Figure 9

Pilot Operated Check Valve (Pilot Open): Sizes 16 to 40

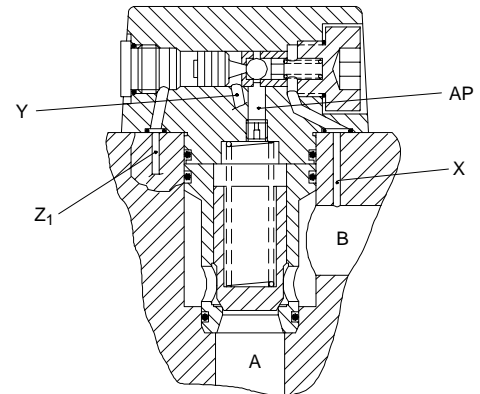
A model PC cover can be combined with a model D16 insert to form a pilot operated check valve (Figure 10). Pilot pressure at Z_1 vents spring chamber AP to Y, permitting flow from B to A. Flow from A to B is independent of pilot pressure.

With port B connected to the system load, pilot pressure at Z_1 must be at least 30% of load pressure, the latter including any intensification that may occur such as when controlling double-acting cylinders. Port Y is normally connected to a drain line.



CVCS-**-PC
Cover

CVI-**-D16
Insert



Basic poppet
 $A_A:A_{AP} = 1:1.6$

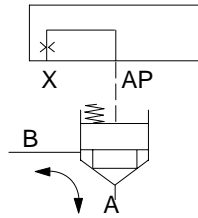
Figure 10

Directional Valve Functions

2-Way, 2-Position Function:

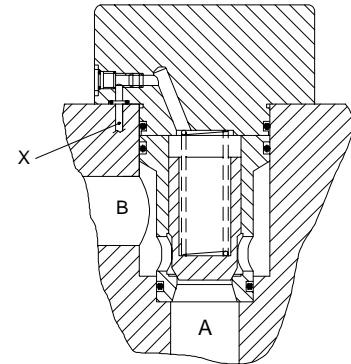
Sizes 16 to 40

Using a model N cover with a D16 insert, Figure 11, can provide directional control of flow from insert port A to B or from B to A. Pressurizing port X from a remote source will block flow from insert port A and B. With X connected to B, system flow is from A to B. Flow will be from B to A if X is connected to tank or A.



CVCS-**-N
Cover

CVI-**-D16
Insert



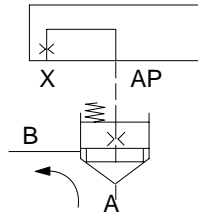
Area ratio
 $A_A:A_{AP} = 1:1.6$

Figure 11

2-Way, 2-Position Function (With Internal Pilot): Sizes 16 to 40

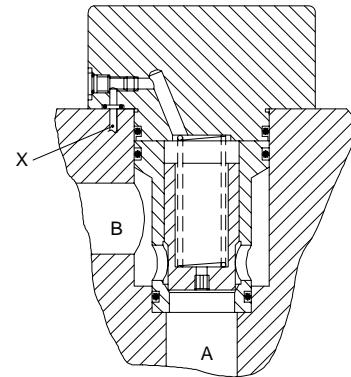
A model N cover is used with a D105 insert (1:1.05 area ratio) which can be supplied with an orifice in the poppet. See Figure 12. This configuration is used to open A to B or block A to B. *D105 poppets cannot be used for flow from B to A.*

The orifice avoids the need to machine a connecting hole in the manifold to port A. To obtain a D105 insert with an orifice in the poppet (i.e. D105V), the orifice size must be specified at the end of the insert model number.



CVCS-**-N
Cover

CVI-**-D105V
Insert



Area ratio
 $A_A:A_{AP} = 1:1.05$

Figure 12

Damping Function: Sizes 16 to 63
Sizes 16 to 40:

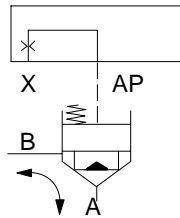
Damping can be achieved with a model R16 insert (area ratio 1:1.6), see Figure 13. The poppet has a skirt with a damping notch which helps smooth shifting (reduces gain) of the poppet.

R16 inserts may be used with any check or directional function where a D16 insert is ordinarily used.

Sizes 50 and 63:

As above but using a model R insert (area ratio 1:2). Use the R also for any check or directional function where a D20 insert is ordinarily used.

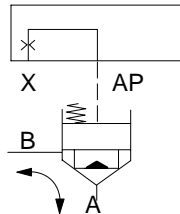
Sizes 16 to 40



CVCS-**-N
Cover

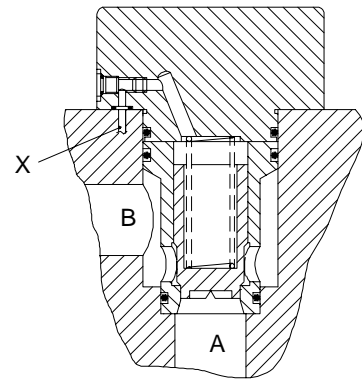
CVI-**-R16
Insert

Sizes 50 and 63



CVC(S)-**-N
Cover

CVI-**-R
Insert



Area ratio

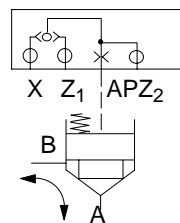
Sizes 16 to 40: $A_A:A_{AP} = 1:1.6$

Sizes 50 and 63: $A_A:A_{AP} = 1:2$

Figure 13

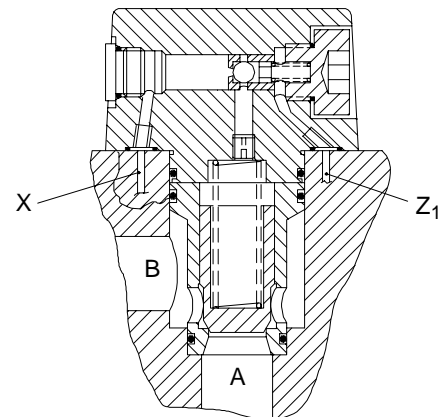
Pilot Shuttle Control: Sizes 16 to 40

The shuttle function is obtained with a model W cover and D16 insert (Figure 14). The shuttle directs the higher of the pressures at the X and Z₁ ports to the spring area (AP) of the insert poppet to close it. The Z₂ port can be used as a convenience to operate another cartridge simultaneously.



CVCS-**-W
Cover

CVI-**-D16
Insert



Area ratio

$A_A:A_{AP} = 1:1.6$

Figure 14

Pilot Operated Directional Valves

Sizes 16 to 40

Covers are available with mounting interfaces for pilot valves. These pilots are typically the DG4V-3(S) solenoid operated directional valve that mounts to the ISO 4401, size 03 (ANSI/B93.7M-D03) interface. Manually operated DG17V-3, pilot operated DG3V-3, or air operated DG18V-3 pilots are also applicable. The Vickers soft shift pilot valves DG4V-3S-****2** (catalog 614 can also be used to achieve smooth opening and closing.

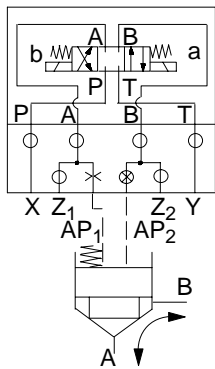
The model identification for size 03 pilot valve interface options is:
 D1 for North American formats, i.e. UNC/UNF threads
 D3 for European formats, i.e. metric threads

Single or dual solenoid pilots are applicable (Figure 15), depending on circuit requirements. The spool center condition of the solenoid pilots also depends on the circuit function desired.

Ports Z_1 and Z_2 are for remote control of additional cartridges. That is, for D1/D3 covers, Z_1 is connected to pilot port A. The X port is the pilot pressure port. The Y port should always go directly to the reservoir.

The insert used can be either the model D16 (1:1.6 area ratio poppet), or model D20 (1:2 area ratio poppet).

Dual Solenoid Control: Sizes 16 to 40 3-position, spring centered pilot valve



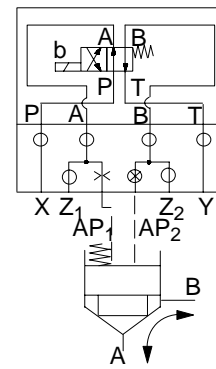
DG4V-3(S)-*C
Pilot valve

CVCS-**-D1/D3
Cover

CVI-**-D16 or
CVI-**-D20
Insert

Note that the circuitry (i.e. flow path and orifice locations) of these 16 to 40 sizes is different from that of sizes 50 and 63 shown on the next page.

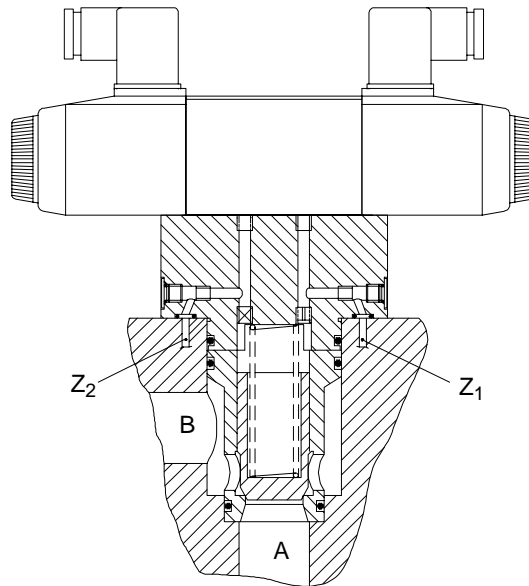
Single Solenoid Control: Sizes 16 to 40 2-position, spring offset pilot valve



DG4V-3(S)-*A
Pilot valve

CVCS-**-D1/D3
Cover

CVI-**-D16 or
CVI-**-D20
Insert



DG4V-3(S)-C
Pilot valve
(Dual solenoid)

CVCS-**-D1/D3
Cover

CVI-**-D16 or
CVI-**-D20
Insert

Area ratio
 $A_A:A_{AP} = 1:1.6$ or
 $A_A:A_{AP} = 1:2$

Figure 15

Sizes 50 and 63

For these sizes the pilots are typically the DG4V-5 solenoid operated directional valve that mounts to the ISO 4401, size 05 (ANSI/B93.7M-D05) interface.

The model identification for size 05 pilot valve interface options is:
 D2 for North American formats, i.e. UNC/UNF threads
 D5 for European formats, i.e. metric threads

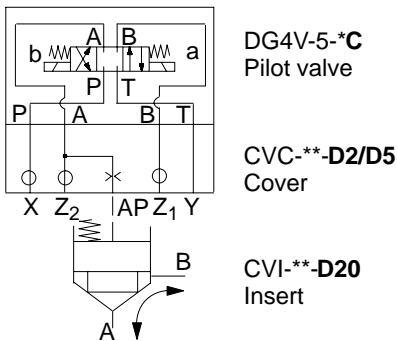
Single or dual solenoid pilots are applicable (Figure 16), depending on circuit requirements. The spool center condition of the solenoid pilots also depends on the circuit function desired.

Ports Z_1 and Z_2 are for remote control of additional cartridges. That is, for D2/D5 covers, Z_1 is connected to pilot port A. The X port is the pilot pressure port. The Y port should always go directly to the reservoir.

The insert used is the model D20 with a 1:2 area ratio poppet.

Dual Solenoid Control: Sizes 50 and 63 3-position, spring centered pilot valve

Single Solenoid Control: Sizes 50 and 63 2-position, spring offset pilot valve



Note that the circuitry (i.e. flow path and orifice locations) of these 50 and 63 sizes is different from that of sizes 16 to 40 shown on the previous page.

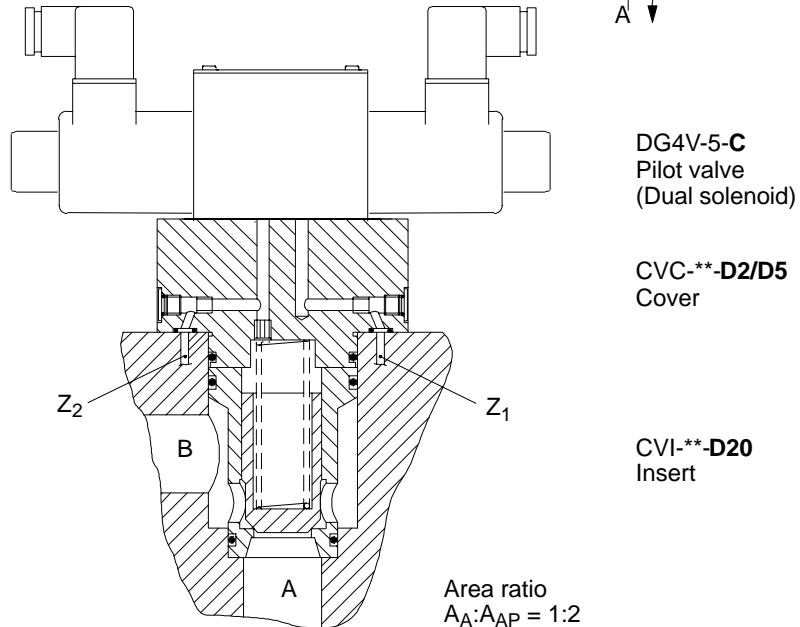
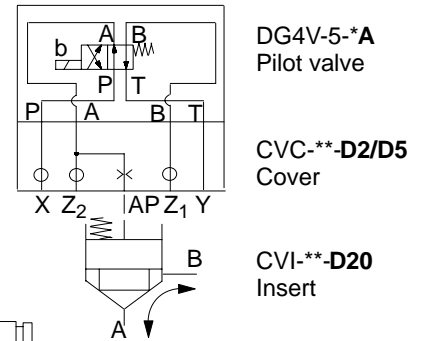


Figure 16

Pilot Operated Directional Valves with Shuttle Function

General Information

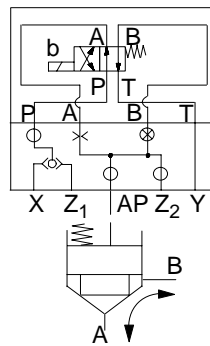
The shuttle function in combination with a solenoid operated pilot valve is available in cartridge sizes 16 through 40. In each cartridge size, the pilot valve is the DG4V-3(S) that mounts to the ISO

4401, size 03 (ANSI/B93.7M-D03) interface. There are two functional cover types, W11/W13 and W31/W33, that are applied with a model DG4V-3(S) pilot valve.

The insert used can be either the model D16 (1:1.6 area ratio poppet), or model D20 (1:2 area ratio poppet).

Shuttle Type 1 (W11/W13 Cover): Sizes 16 to 40

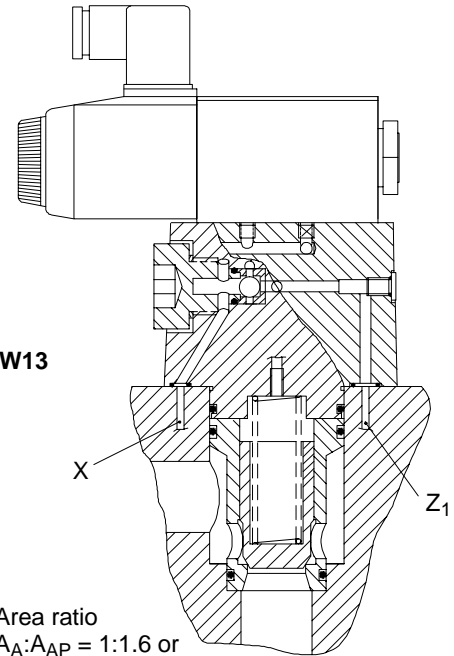
With the solenoid de-energized, Figure 17, the cartridge is shut by the higher of the pressures at X or Z₁. Pilot port Z₂ can be used to pilot a second cartridge simultaneously.



DG4V-3(S)-*A
Pilot valve

CVCS-**-W11/W13
Cover

CVI-**-D16 or
CVI-**-D20
Insert

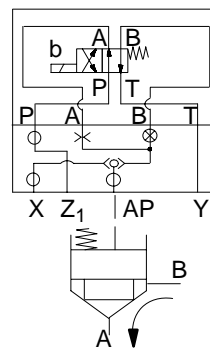


Area ratio
 $A_A:A_{AP} = 1:1.6$ or
 $A_A:A_{AP} = 1:2$

Figure 17

Shuttle Type 3 (W31/W33 Cover): Sizes 16 to 40

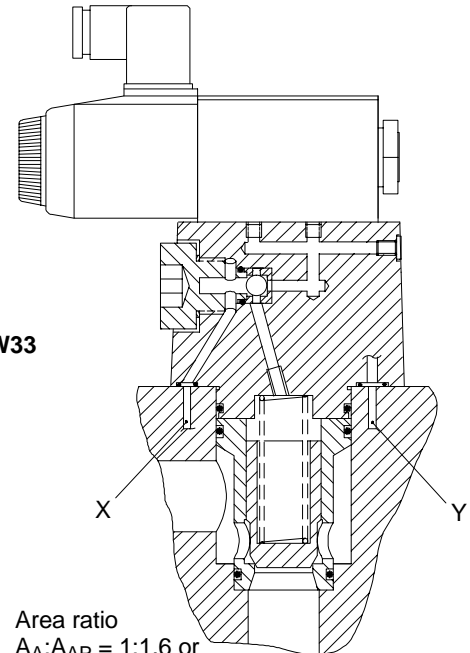
The function of the W31/W33 cover, Figure 18, is to provide a non-reverse-flow check, thereby eliminating the need for a separate back flow check. Flow is either blocked or allowed from port B to port A. Flow from port A to port B is always blocked. The application would have pump flow going into port B, port A connected to the actuator and control port X connected to port A.



DG4V-3(S)-*A
Pilot valve

CVCS-**-W31/W33
Cover

CVI-**-D16 or
CVI-**-D20
Insert



Area ratio
 $A_A:A_{AP} = 1:1.6$ or
 $A_A:A_{AP} = 1:2$

Figure 18

**Dual Check (DC1/DC3 Cover):
Sizes 16 to 40**

The DC1/DC3 cover, Figure 19, provides parallel check functions in pilot control ports X and Z₁. The higher of these two pressures is then available at pilot port P to close the insert via the size 03 solenoid operated valve. A second cartridge can be operated simultaneously from pilot port Z₂.

The DC1/DC3 cover is similar to the type W11/W13 cover but, whereas there is an open transient condition in the shuttle function (type W11/W13), the DC1/DC3 design uses two check valves to ensure that no transient loss of pressure in port P can occur during pilot pressure change-over between ports X and Z₁. This feature is of benefit in any application where there must be absolutely no risk of the cartridge even momentarily opening during pilot pressure changeover.

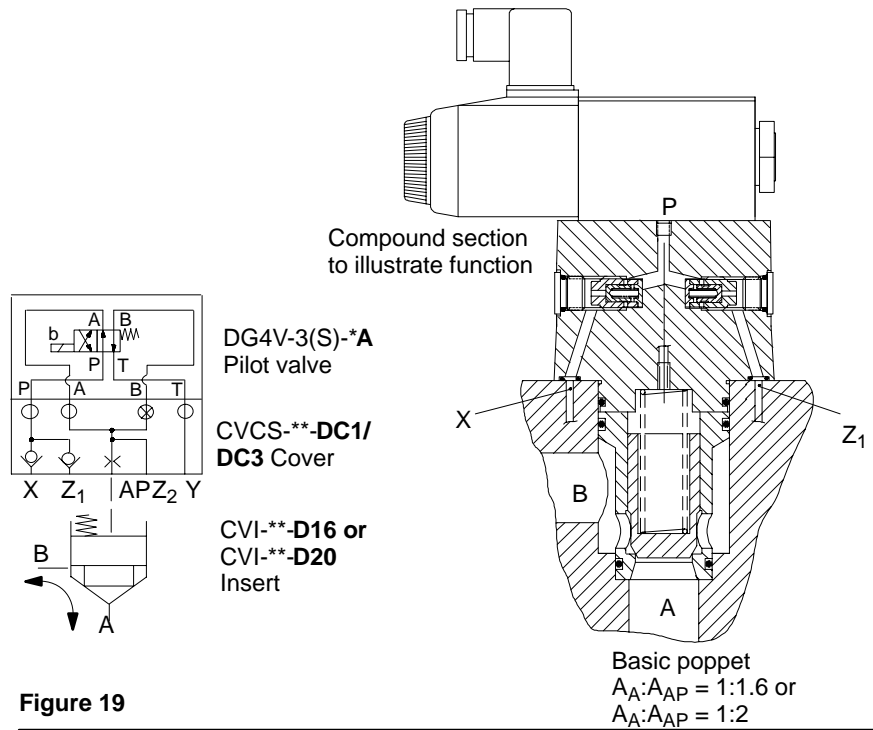


Figure 19

Stroke Limiter Control Functions

General Information

Flow control is by means of a standard cover with a stroke adjuster which limits the stroke of any of the inserts and thereby limits the flow.

Size 16 to 40

The R16 insert (1:1.6 area ratio) has a notch for a fine metering (reduced gain) flow control function.

Sizes 50 and 63

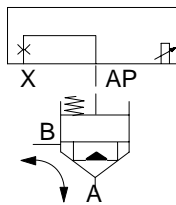
The R insert (1:2 area ratio) has a notch for a fine metering (reduced gain) flow control function. The F insert (area ratio 1:2) has a larger notch for more coarse metering (high gain) flow control function.

The A insert stroke adjuster cover is available with three types of adjusters, micrometer (M), micrometer with keylock (K) or standard square end screw with hex. locknut (W).

Adjustable Stroke Limiter and Directional Functions: Sizes 16 to 63

The adjustable limiting of the insert poppet opening restricts flow in both directions (A to B and B to A). Control is from pilot port X. See Figure 20.

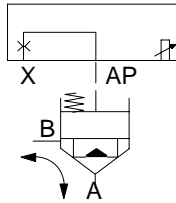
Sizes 16 to 40



CVCS-**-A
Cover

CVI-**-R16
Insert

Sizes 50 and 63



CVC(S)-**-A
Cover

CVI-**-F or
CVI-**-R
Insert

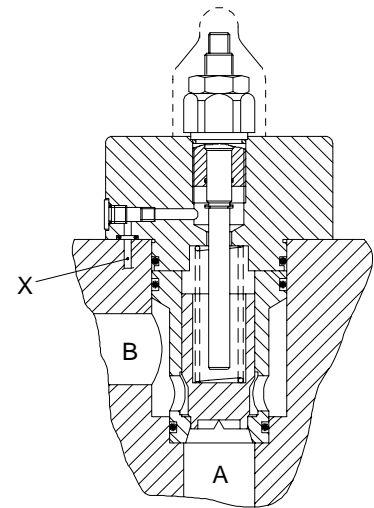
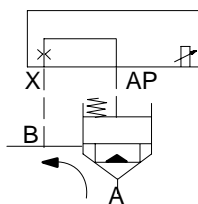


Figure 20

Adjustable Stroke Limiter and Check Functions: Sizes 16 to 63

The adjustable poppet lift limiter restricts flow from A to B. The check function prevents flow from B to A. The X pilot port of the cover is connected to the B port of the insert. See Figure 21.

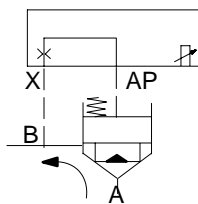
Sizes 16 to 40



CVCS-**-A
Cover

CVI-**-R16
Insert

Sizes 50 and 63



CVC(S)-**-A
Cover

CVI-**-F or
CVI-**-R
Insert

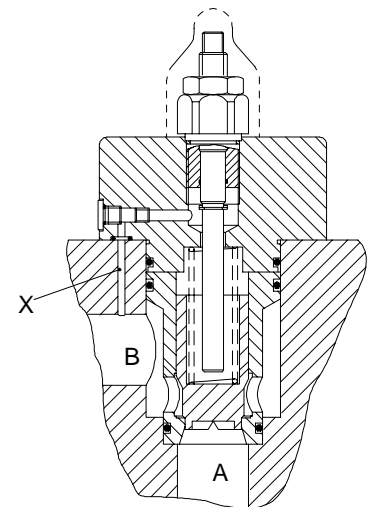


Figure 21

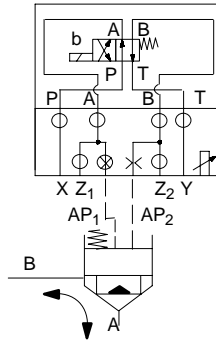
Adjustable Stroke Limiter and Pilot (Directional) Function: Sizes 16 to 40

Stroke limiters are available with an ISO 4401, size 03 (ANSI/B93.7M-D03) interface for mounting a single-solenoid controlled DG4V-3(S) pilot valve.

These type A1/A3 covers are supplied configured for a “normally open” function, i.e. the insert poppet is vented when the solenoid of the pilot valve is de-energized (with pilot pressure applied to port X).

The opposite, “normally closed” (NC) function, can be obtained by interchanging the orifice and plug in ports AP₁/AP₂. With this arrangement, the insert poppet is “normally closed” (NC) and is open when the solenoid of the pilot valve is energized (with pilot pressure applied to port X).

Normally Open Function

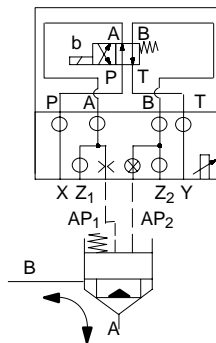


DG4V-3(S)-*A
Pilot valve

CVCS-**-A1/A3
Cover as supplied

CVI-**-R16
Insert

Normally Closed Function



DG4V-3(S)-*A
Pilot valve

CVCS-**-A1/A3
Cover

CVI-**-R16
Insert

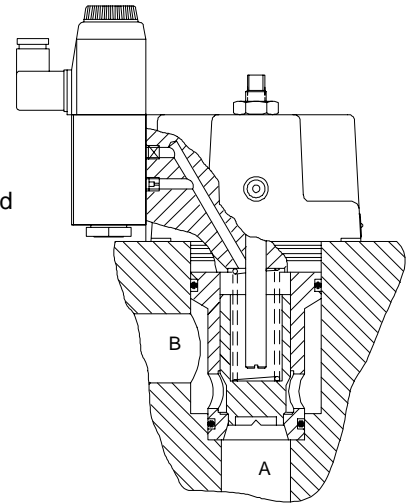


Figure 22

Model Codes - Check, Directional and Flow Restrictor Functions - Sizes 16 to 40

CVCS Covers

Vickers type "CVCS" cartridge covers featured in this catalog conform to installation requirements of ISO 7368 and

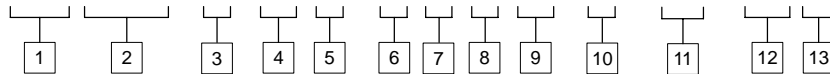
DIN 24342. This includes *port usage changes to the D*, PC, W and W1* functions from prior published information for cover types "CVC."*

For availability of covers by size and function see page 4. All features must be specified when ordering; those in brackets () are optional or apply only to specific models.

Metric Models

Metric bolt tappings and orifice threads; BSPF plugs. Mounting bolts supplied.

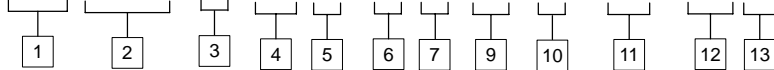
(F3-) CVCS - ** - * (*) - B 2 9 (-*) - 1* - (NC) (-*** **)**



Non-Metric Models

UNC bolt tappings; UNF orifice threads; SAE plugs; mounting bolts not supplied.

(F3-) CVCS - ** - * (*) - S 2 (-*) - 1* - (NC) (-*** **)**



1 Seal Material

F3 - Special seals. See "Fluids and Seals" on page 16. Omit for standard seals.

2 Model

CVCS - Cartridge valve cover to ISO 7368

3 Nominal size to ISO 7368 (DIN 24342)

16 - 06 (NG16)
25 - 08 (NG25)
32 - 09 (NG32)
40 - 10 (NG40)

4 Function

A - Stroke adjuster (flow restrictor)
A* - Stroke adjuster with mounting face for size 03 pilot valve
B - Blanking cover
D* - Standard directional with mounting face for size 03 pilot valve
DC* - Two check valves with mounting face for size 03 pilot valve
N - Basic
PC - Pilot operated check
W - Pilot shuttle (ports X and Z₁)
W1* - As type W with mounting face for size 03 pilot valve
W3* - Pilot shuttle (ports X and B) with mounting face for size 03 pilot valve

* Code for optional threads, see 5.

5 Mounting bolt tappings for pilot valve

For size 03 pilot valve, applicable to types A*, D*, DC*, W1*, W3*:
1 - Inch threads
3 - Metric threads

6 Plugs and orifice threads

B - G (BSPF) threads for closure plugs; metric plugs for orifices
S - SAE threads for closure plugs; UNF threads for orifices

7 Seals

2 - Inch O-ring seals to ISO 3601

8 Mounting bolts

9 - Metric mounting bolts supplied

9 Adjuster mechanism

For all model types A, A* only

For all sizes

W - Wrench adjustment with hex locknut

For sizes 16, 25, 32 only

K - Micrometer adjuster with keylock

M - Micrometer adjuster without lock

10 Design number, 1* series

Subject to change. Installation dimensions unchanged for design numbers 10 to 19 inclusive.

11 Normal function

NC = Normally closed
Blank = Normally open

See page 124 for sizes of factory-fitted standard orifices. Other orifice sizes and locations can be fitted by special arrangement with your Vickers representative. Non-standard orifice requirements should be defined as follows:

12 Pilot control orifice location

Specify port location for non-standard orifice, e.g. "AP", followed by orifice size code, see 13. Repeat as necessary for further non-standard requirements.

13 Orifice size

Specify non-standard orifice size code, see tables on page 125.

Model Codes - Check, Directional and Flow Restrictor Functions - Sizes 50 and 63

CVCS Covers

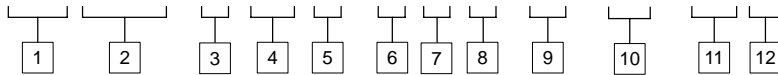
Vickers type "CVCS" cartridge covers featured in this catalog conform to installation requirements of ISO 7368 and DIN 24342.

For availability of covers by size and function see page 4. All features must be specified when ordering; those in brackets () are optional or apply only to specific models.

Metric Models

Metric bolt tappings and orifice threads; BSPF plugs. Mounting bolts supplied.

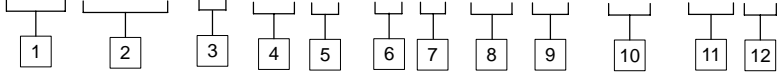
(F3-) CVCS - ** - * (*) - B 2 (-*) - 1* - (NC) (-*** **)**



Non-Metric Models

UNC bolt tappings; UNF orifice threads; SAE plugs; mounting bolts not supplied.

(F3-) CVCS - ** - * (*) - S 2 (-*) - 1* - (NC) (-*** **)**



1 Seal Material

F3 - Special seals. See "Fluids and Seals" on page 16.
Omit for standard seals.

2 Model

CVCS - Cartridge valve cover to ISO 7368, A-S2 and N-S2 options only
CVC - Different pilot port usage and pilot port orientation to CVCS, A-B2, D2-S2, D5-B2 and N-B2 options only

3 Nominal size to ISO 7368 (DIN 24342)

50 - 11 (NG50)
63 - 12 (NG63)

4 Function

A - Stroke adjuster (flow restrictor)
D* - Standard directional with mounting face for size 05 pilot valve
N - Basic

* Code for optional threads, see 5.

5 Mounting bolt tappings for pilot valve

For size 05 pilot valve, applicable to type D* only:
2 - Inch threads
5 - Metric threads

6 Plugs and orifice threads

B - G (BSPF) threads for closure plugs; metric plugs for orifices
S - SAE threads for closure plugs; UNF threads for orifices

7 Seals

2 - Inch O-ring seals to ISO 3601

8 Adjuster mechanism

For model type A only
W - Wrench adjustment with hex locknut

9 Design number, 1* series

Subject to change. Installation dimensions unchanged for design numbers 10 to 19 inclusive.

10 Normal function

NC = Normally closed
Blank = Normally open

See page 124 for sizes of factory-fitted standard orifices. Other orifice sizes and locations can be fitted by special arrangement with your Vickers representative. Non-standard orifice requirements should be defined as follows:

11 Pilot control orifice location

Specify port location for non-standard orifice, e.g. "AP", followed by orifice size code, see 11. Repeat as necessary for further non-standard requirements.

12 Orifice size

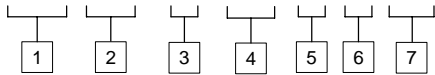
Specify non-standard orifice size code, see tables on page 125.

Model Codes - Check, Directional and Flow Restrictor Functions - Sizes 16 to 63

CVI Inserts

For availability of inserts by size and function see page 5. All features must be specified when ordering; those in brackets () are optional.

(F3-) CVI - ** - **** - * - ** (-**)



1 Seal Material

F3 - Special seals. See "Fluids and Seals" on page 16.
Omit for standard seals.

2 Model

CVI - Cartridge valve insert

3 Nominal size to ISO 7368 (DIN 24342)

16 - 06 (NG16)
25 - 08 (NG25)
32 - 09 (NG32)
40 - 10 (NG40)
50 - 11 (NG50)
63 - 12 (NG63)

4 Function

Sizes 16 to 40

D10 - 1:1 ratio
D105 - 1:1.05 ratio
D105V - 1:1.05 ratio with variable orifice plug
D16 - 1:1.6 ratio
D20 - 1:2 ratio
DC16 - 1:1.6 ratio direct check
R16 - 1:1.6 ratio with damping

Sizes 50 and 63

D11 - 1:1.1 ratio
D20 - 1:2 ratio
F - 1:2 ratio, flow restrictor
R - 1:2 ratio with damping

5 Cracking pressure, bar (psi)

For flow direction A to B
Sizes 16 to 40

Spring code	Insert code	
	D10	D105(V)
L	0,31 (4.5)	0,33 (4.8)
M	1,55 (22.5)	1,65 (24)
H	3,1 (45)	3,3 (48)

Spring code	Insert code	
	D16, D20 DC16	R16
L	0,5 (7.3)	0,6 (8.7)
M	2,5 (36.3)	3,0 (43.5)
H	5,0 (73)	6,0 (87)

Sizes 50 and 63

Spring code	Insert code	
	D11	D20, F, R
L	0,31 (4)	0,5 (7.3)
M	1,4 (20)	2,5 (36.3)
H	2,7 (39)	5,0 (73)

6 Design number, 1* & 4* series

Subject to change. Installation dimensions unchanged for design numbers 10 to 19 and 40 to 49 inclusive. Tables show availability by current design number according to function and size.

Sizes 16 to 40

D10	40 design
D105	40 design
D105V	40 design
D16	40 design
D20	10 design
DC16	40 design
R16	40 design

Sizes 50 and 63

D11	10 design
D20	10 design
F	10 design
R	10 design

7 Orifice size

Specify non-standard orifice size code, see tables on page 125.

See page 124 for sizes of standard orifices factory-fitted to function type D105V. Other orifice sizes can be fitted by special arrangement with your Vickers representative.

Note: A nameplate is supplied with each insert for fixing to the cover to identify the insert in use.

Performance Data

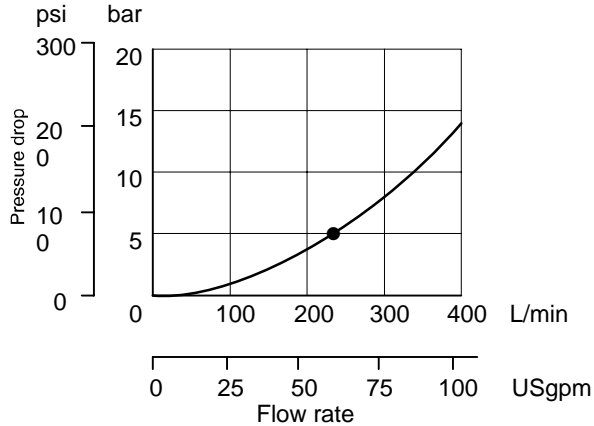
Check, Directional and Flow Restrictor Functions

Unless otherwise stated, performances are based on petroleum oil at 36 cSt (168 SUS) and at 50°C (122°F). For pressure drops at other viscosities, see page 127.

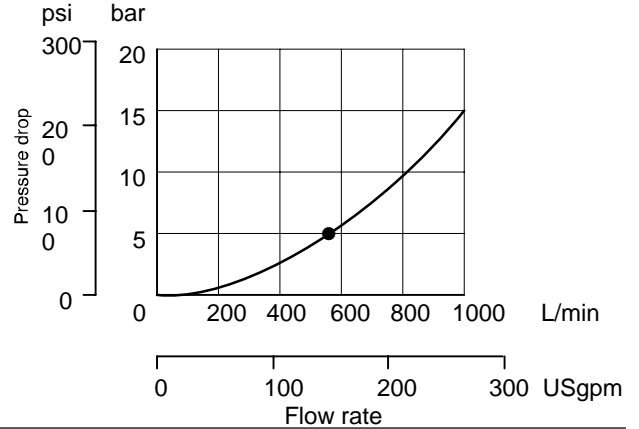
Pressure Drop/Flow Through Insert (Flow from Port A to B)

● = Rated flow point

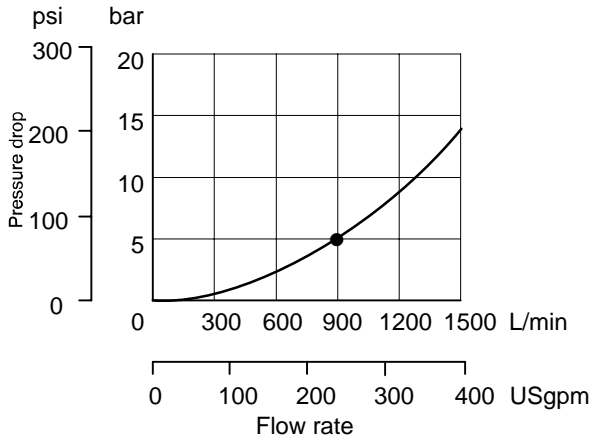
CVI-16-C025; D10; D105; D105V



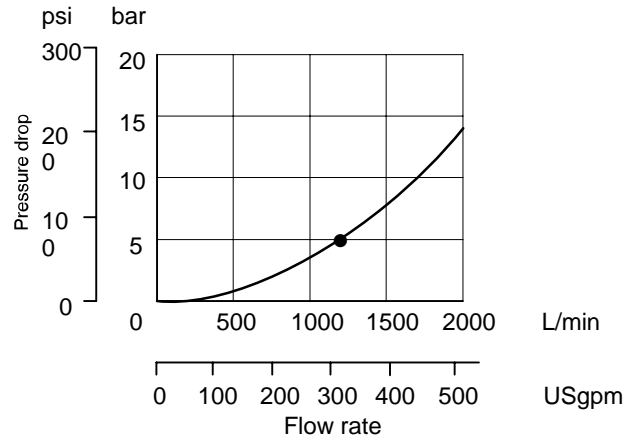
CVI-25-C025; D10; D105; D105V; OD105



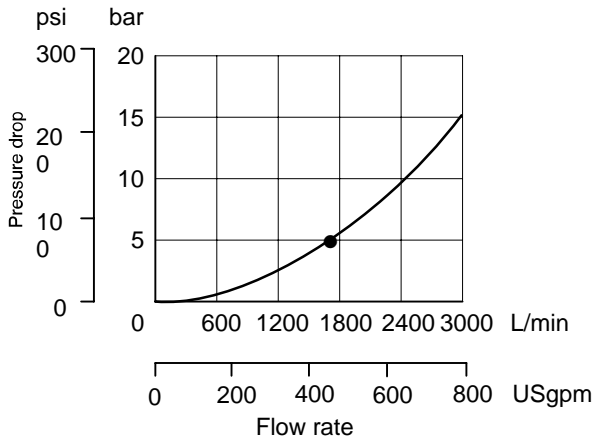
CVI-32-C025; D10; D105; D105V; OD105



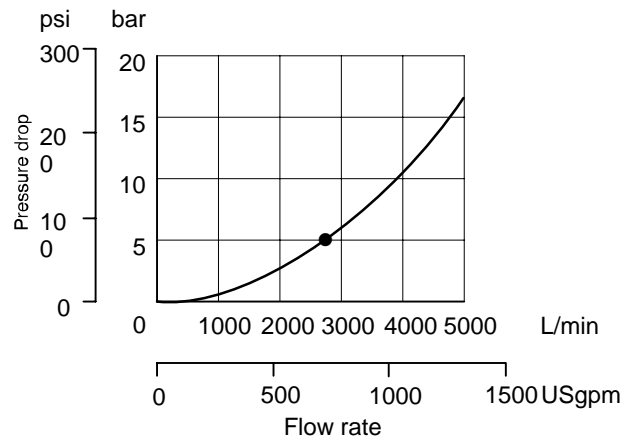
CVI-40-C025; D10; D105; D105V; OD105



CVI-50-D11



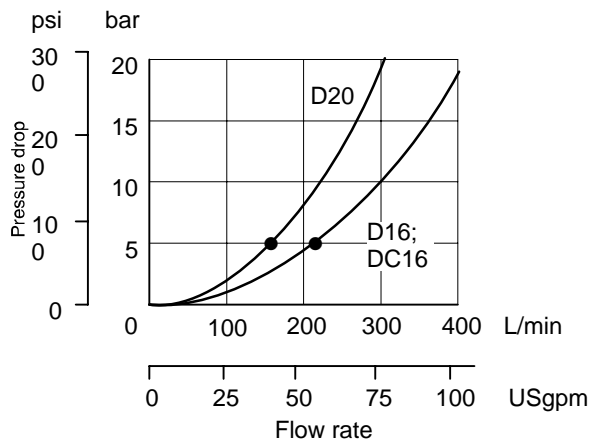
CVI-63-D11



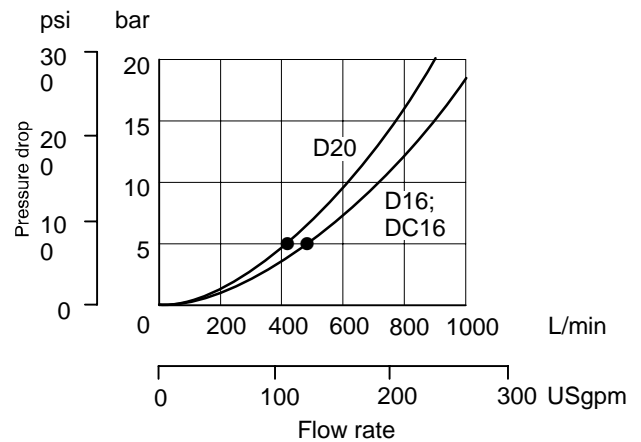
**Pressure Drop/Flow Through Insert
(Flow from Port A to B)**

● = Rated flow point

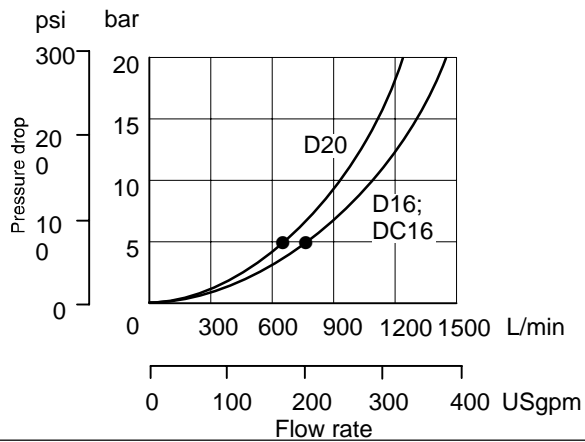
CVI-16-D16; DC16; D20



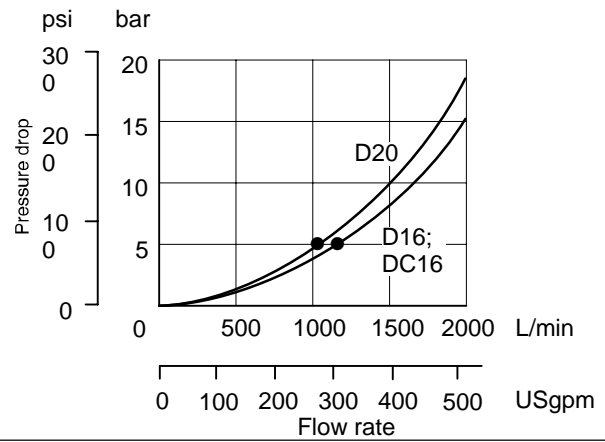
CVI-25-D16; DC16; D20



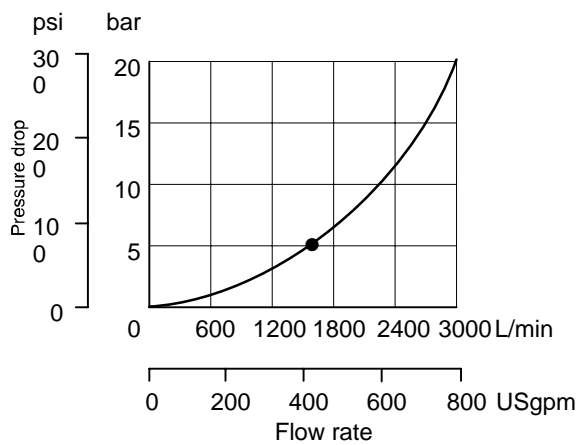
CVI-32-D16; DC16; D20



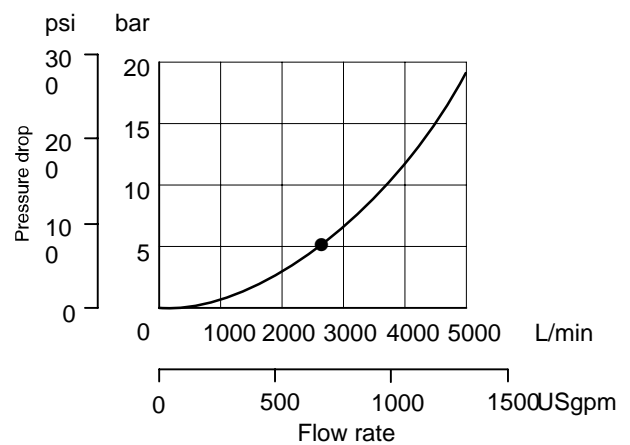
CVI-40-D16; DC16; D20



CVI-50-D20



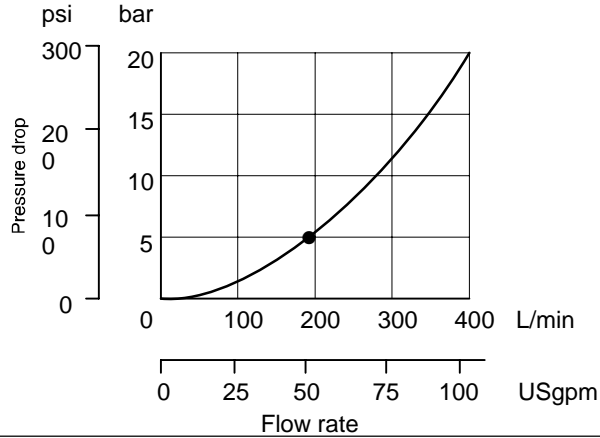
CVI-63-D20



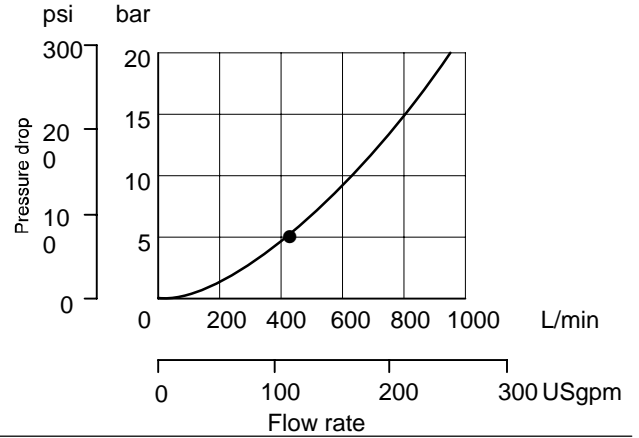
**Pressure Drop/Flow Through Insert
(Flow from Port A to B)**

● = Rated flow point

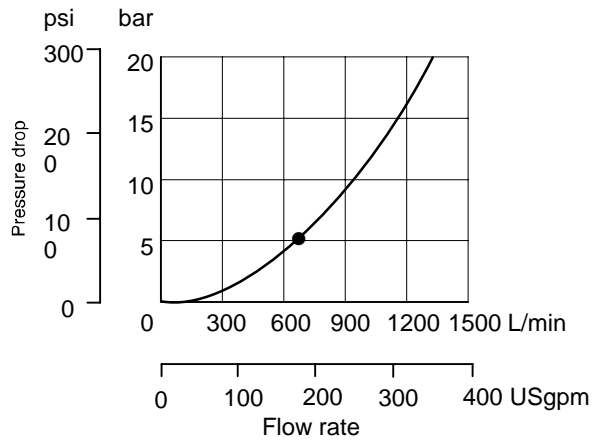
CVI-16-R16



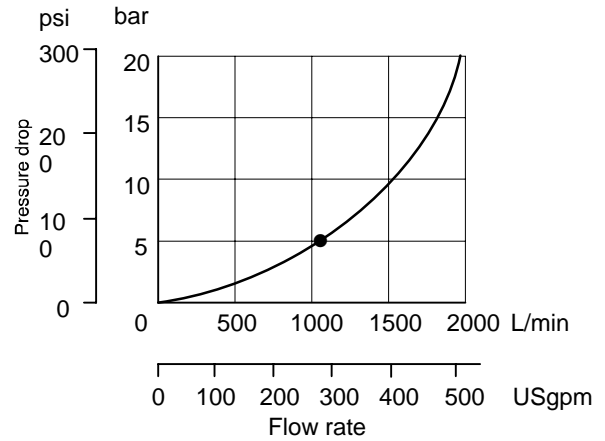
CVI-25-R16



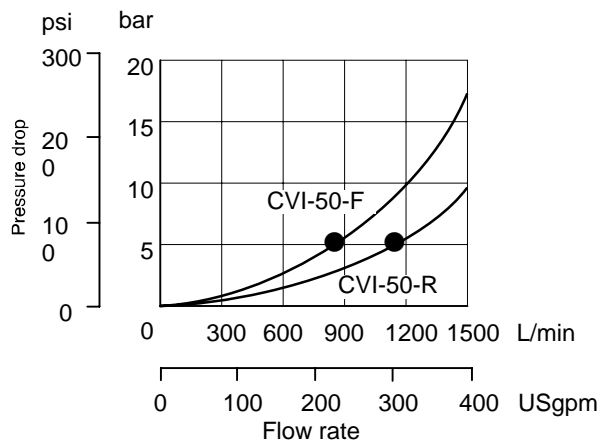
CVI-32-R16



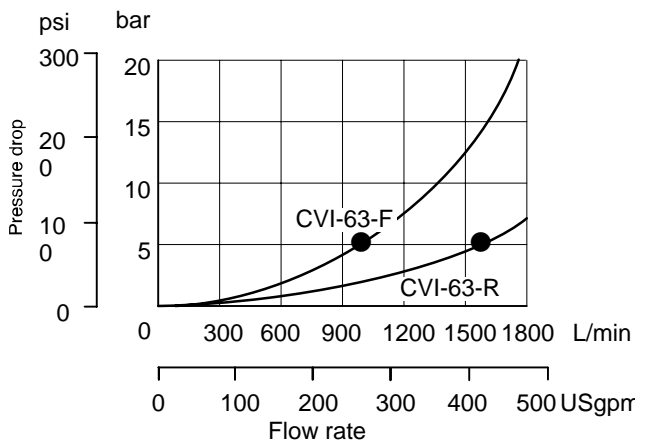
CVI-40-R16



CVI-50-F; R



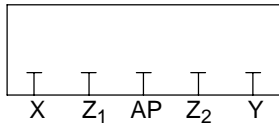
CVI-63-F; R



Covers for Blanking “B” and Basic “N” Functions

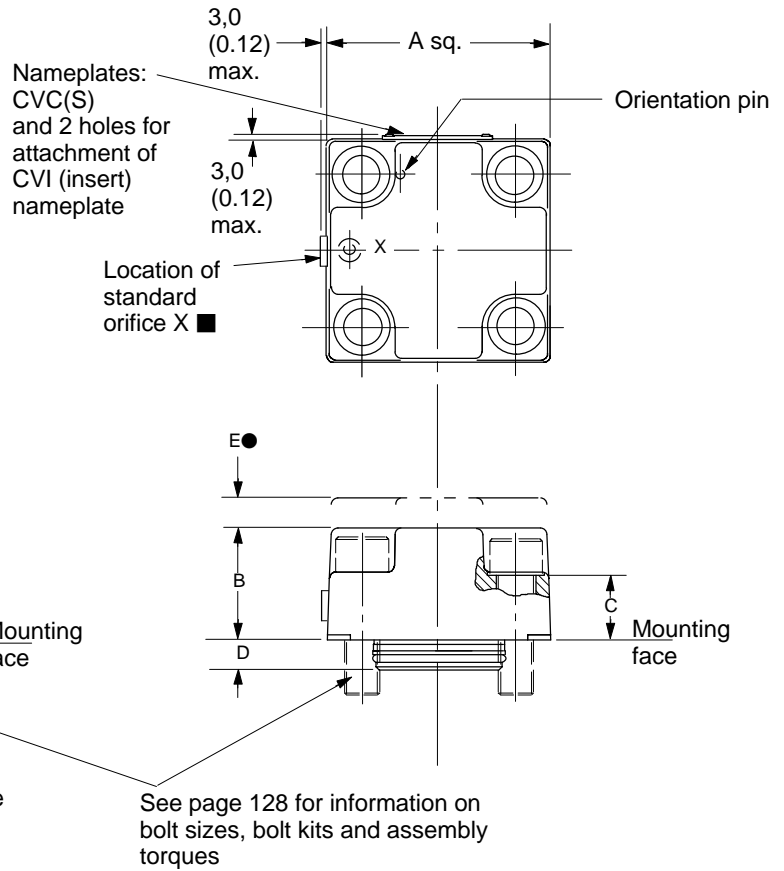
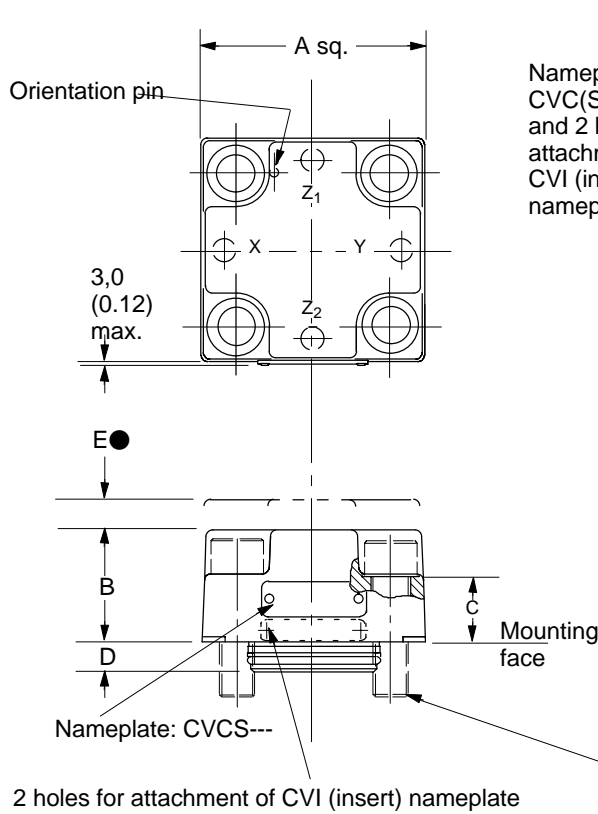
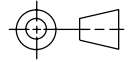
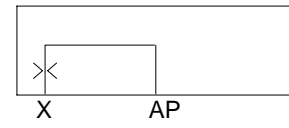
CVCS--B
 Sizes 16 to 40

Dimensions
 mm (inches)



CVCS--N
 Sizes 16 to 40

CVC(S)--N
 Sizes 50 and 63
 (CVC = B2
 CVCS = S2)



2 holes for attachment of CVI (insert) nameplate

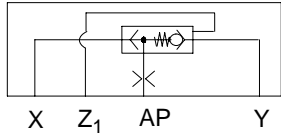
See page 128 for information on bolt sizes, bolt kits and assembly torques

- For thread sizes and orifice kits see page 124.
- Minimum clearance for removal of cover from manifold.

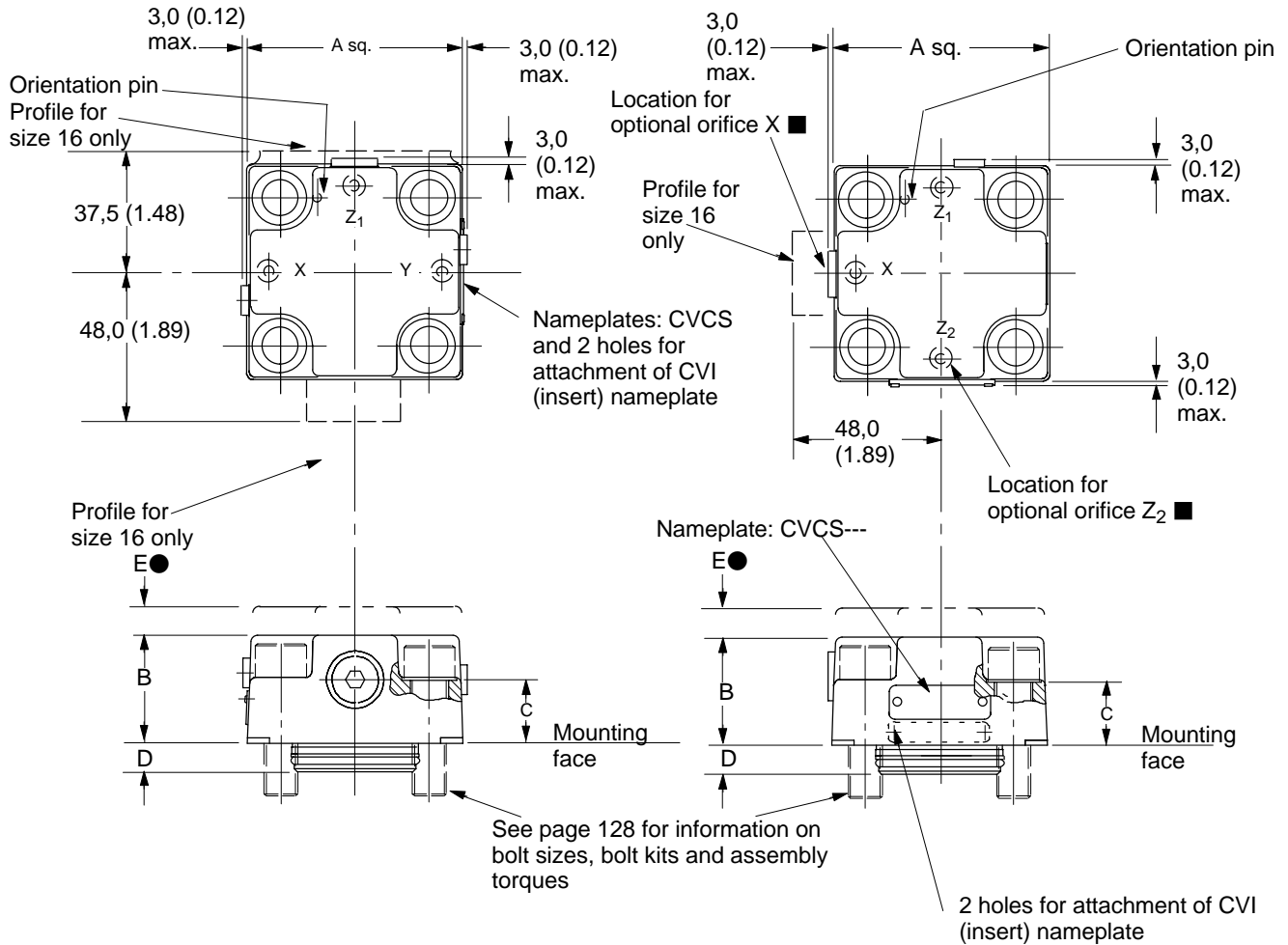
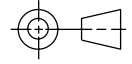
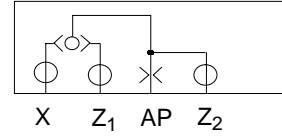
Size	A	B	C	D max. Tolerance -0,1 (0.004)	E	Location of nameplates	
						Type B	Type N
16	66,8 (2.63)	35,0 (1.38)	26,0 (1.02)	8,0 (0.315)	12,0 (0.47)	Side Z ₂	Side Z ₁
25	85,5 (3.37)	42,0 (1.65)	25,0 (0.98)	10,5 (0.413)	22,0 (0.90)	Side Z ₂	Side Z ₁
32	102,5 (4.04)	51,0 (2.01)	30,0 (1.18)	13,0 (0.512)	31,0 (1.22)	Side Z ₂	Side Z ₁
40	124,5 (4.90)	61,0 (2.40)	35,0 (1.38)	15,0 (0.591)	33,0 (1.30)	Side Z ₂	Side Z ₁
50	141,0 (5.55)	70,0 (2.76)	44,0 (1.73)	18,0 (0.709)	34,0 (1.34)	–	Side Z ₁
63	181,0 (7.12)	86,0 (3.38)	48,0 (1.89)	20,0 (0.787)	43,0 (1.70)	–	Side Z ₁

Covers for Pilot Operated Check "PC" and Shuttle "W" Functions

CVCS--PC
Sizes 16 to 40



CVCS--W
Sizes 16 to 40

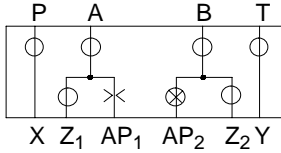


- For thread sizes and orifice kits see page 124.
- Minimum clearance for removal of cover from manifold.

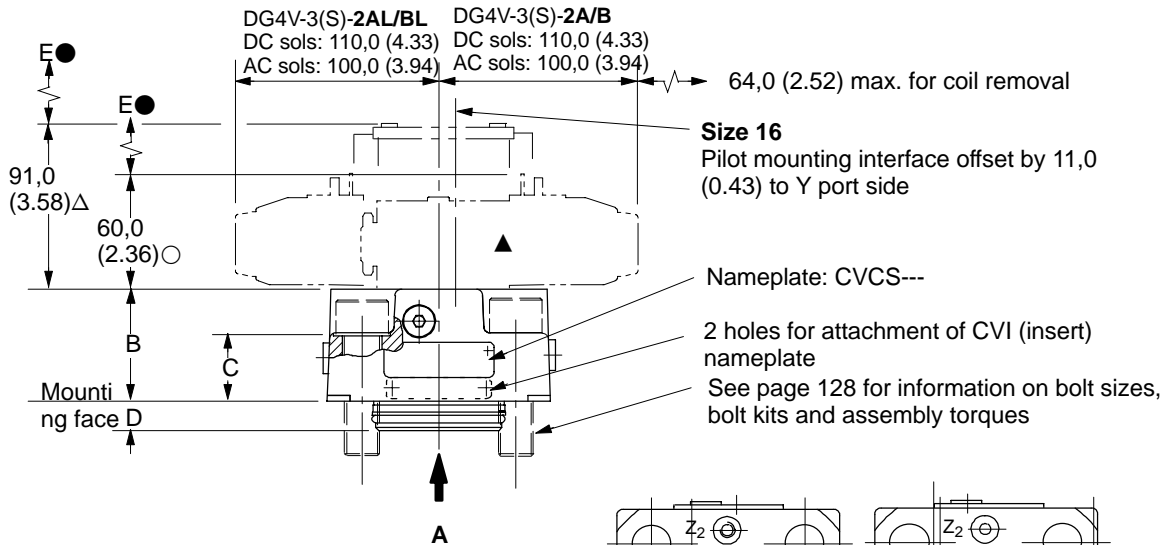
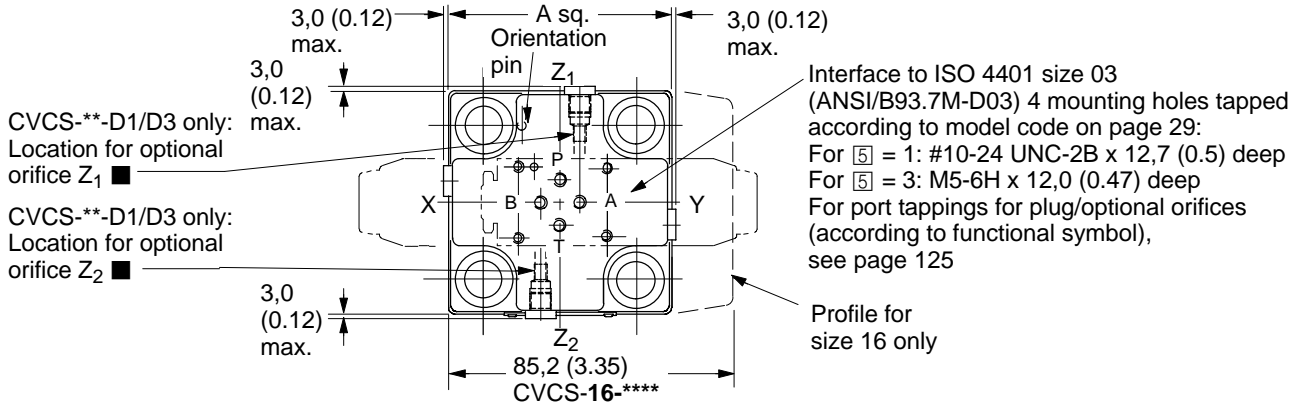
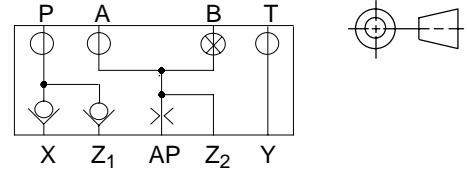
Size	A	B	C	D max. Tolerance -0,1 (0.004)	E	Location of nameplates	
						Type PC	Type W
16-PC	66,8 (2.63)	35,0 (1.38)	26,0 (1.02)	8,0 (0.315)	12,0 (0.47)	Side X	Side Y
16-W	65,0 (2.56)	35,0 (1.38)	26,0 (1.02)	8,0 (0.315)	12,0 (0.47)	Side X	Side Y
25	85,5 (3.37)	42,0 (1.65)	25,0 (0.98)	10,5 (0.413)	22,0 (0.90)	Side Y	Side Z ₁
32	102,5 (4.04)	51,0 (2.01)	30,0 (1.18)	13,0 (0.512)	31,0 (1.22)	Side Y	Side Z ₁
40	124,5 (4.90)	61,0 (2.40)	35,0 (1.38)	15,0 (0.591)	33,0 (1.30)	Side Y	Side Z ₁

Covers for Directional/Flow Control Functions “D(C)1/D(C)3”

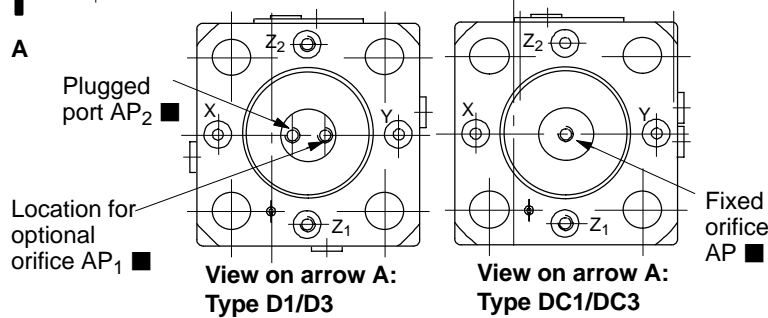
CVCS--D1
CVCS--D3
Sizes 16 to 40



CVCS--DC1
CVCS--DC3
Sizes 16 to 40



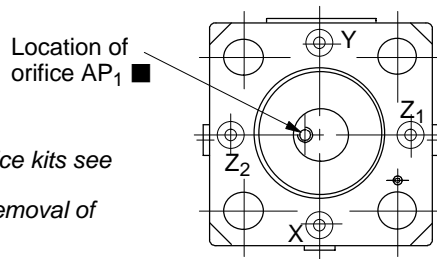
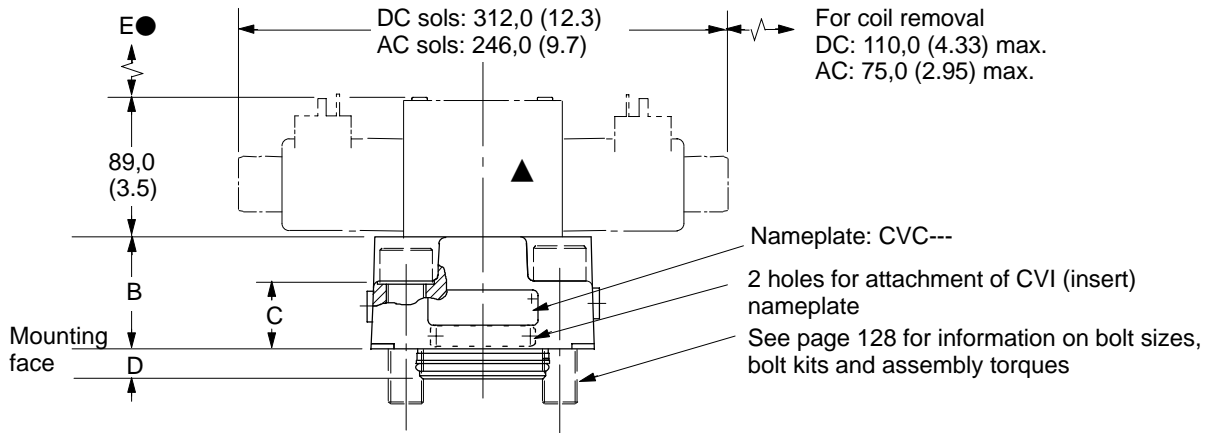
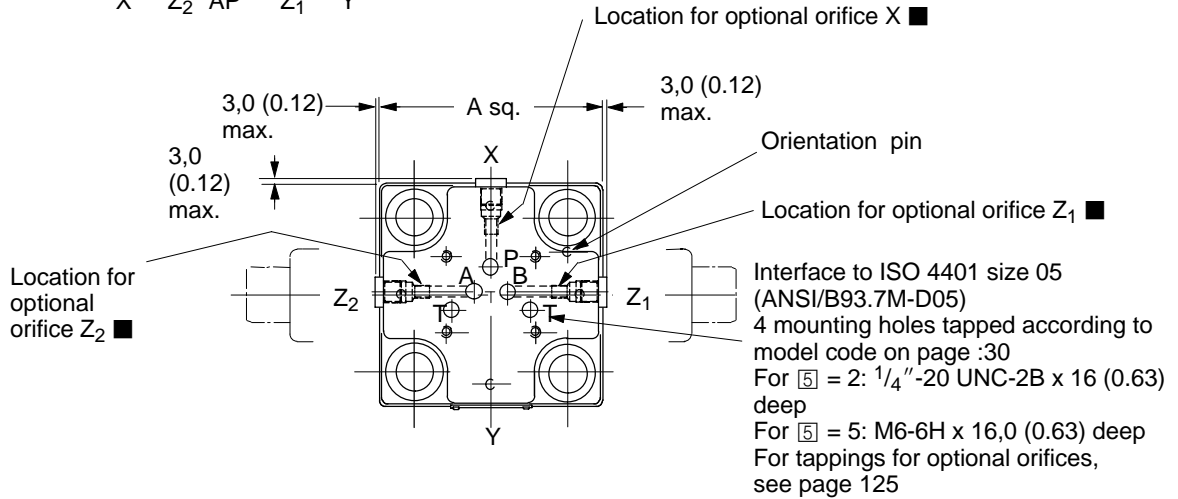
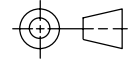
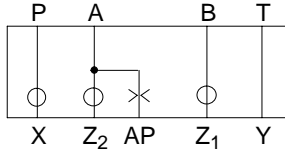
- For thread sizes and orifice kits see page 124.
- Minimum clearance for removal of cover from manifold.
- ▲ Size 03 pilot control valve to be ordered separately. Recommended model Vickers DG4V-3(S), see catalog GB-C-2015.
- DG4V-3(S) with coil type U.
- Δ DG4V-3(S) with coil type F and terminal box.



Size	A	B	C	D max. Tolerance -0,1 (0.004)	E	Location of nameplates Type D* Type DC*
16	65,0 (2.56)	48,0 (1.89)	36,0 (1.42)	8,0 (0.315)	12,0 (0.47)	Side Z ₂ Side Z ₂
25	87,0 (3.43)	48,0 (1.89)	25,0 (0.98)	10,5 (0.413)	22,0 (0.90)	Side Y Side Z ₂
32	101,8 (4.0)	48,0 (1.89)	30,0 (1.18)	13,0 (0.512)	31,0 (1.22)	Side Z ₂ Side Z ₂
40	124,6 (4.91)	58,0 (2.28)	35,0 (1.38)	15,0 (0.591)	33,0 (1.30)	Side Z ₂ Side Z ₂

Covers for Directional and Flow Control Functions “D2/D5”

CVC--D2-S2**
CVC--D5-B2**
 Sizes 50 and 63



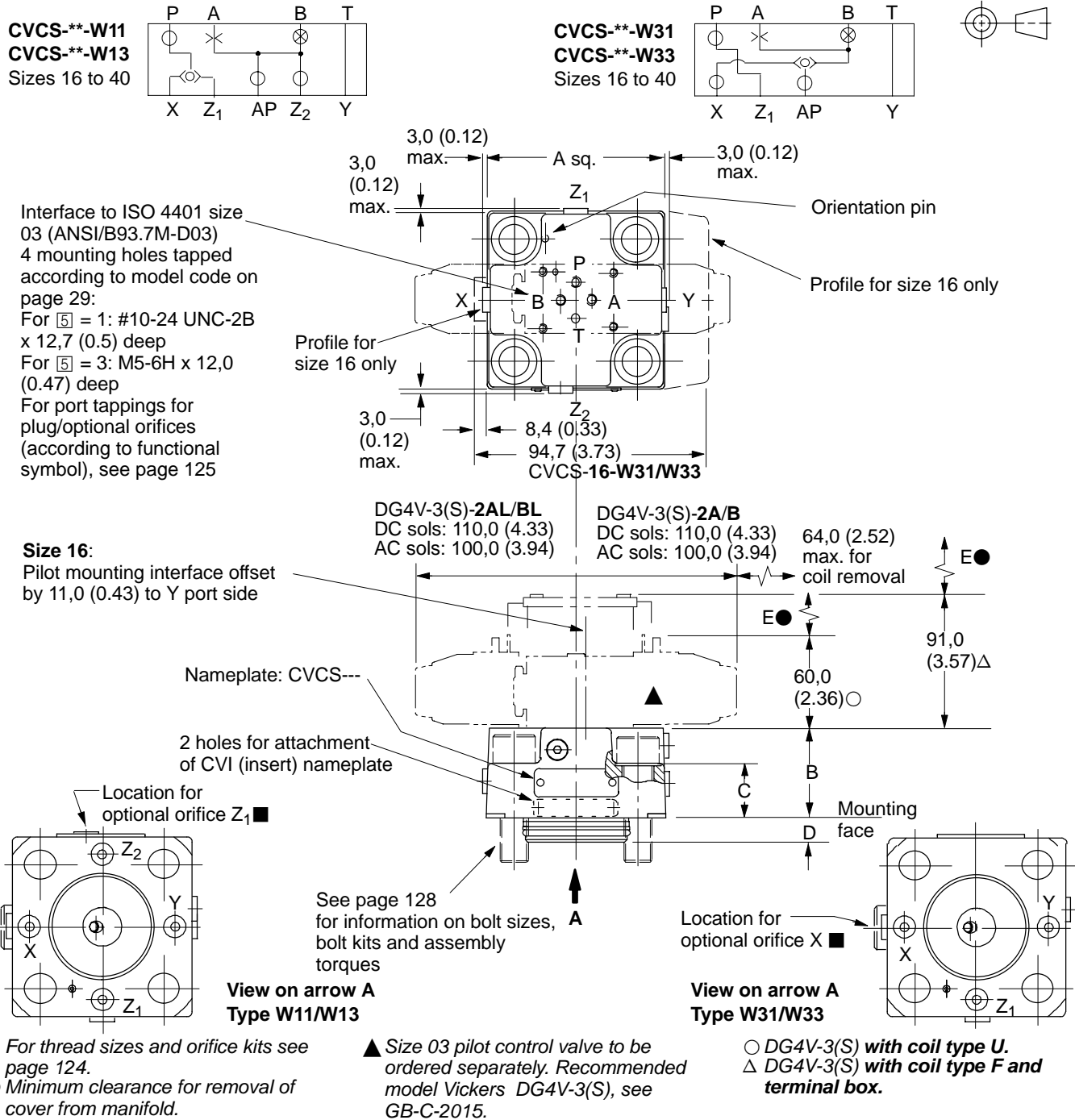
▲ Size 05 pilot control valve to be ordered separately. Typical model Vickers DG4V-5, see GB-C-2281.

Alternatively, for system pressures up to 210 bar (3000 psi) max., and acceptable response times for the cartridge valve, a size 03 pilot valve may be fitted using Vickers interface adaptor, model DGAM-3-01 (GB-C- 2425).

- For thread sizes and orifice kits see page 124.
- Minimum clearance for removal of cover from manifold.

Size	A	B	C	D max. Tolerance -0,1 (0.004)	E
50	141,0 (5.55)	68,0 (2.68)	44,0 (1.73)	18,0 (0.709)	36,0 (1.42)
63	181,0 (7.12)	83,0 (3.27)	48,0 (1.89)	20,0 (0.787)	45,0 (1.77)

“W1*” and “W3*” Covers with Size 03 Pilot Valve Interface



Size	A	B	C	D max. Tolerance -0,1 (0.004)	E	Location of nameplates Type W1*	Type W3*
16	65,0 (2.56)	48,0 (1.89)	36,0 (1.42)	8,0 (0.315)	12,0 (0.47)	Side Z ₂	Side Z ₂
25	85,5 (3.37)	57,0 (2.24)	25,0 (0.98)	10,5 (0.413)	22,0 (0.90)	Side X	Side Z ₂
32	102,5 (4.04)	60,0 (2.36)	30,0 (1.18)	13,0 (0.512)	31,0 (1.22)	Side X	Side Z ₂
40	124,5 (4.90)	58,0 (2.28)	35,0 (1.38)	15,0 (0.591)	33,0 (1.30)	Side X	Side Z ₂

Covers with Stroke Limiters “A” for Flow Control Functions

CVCS--A

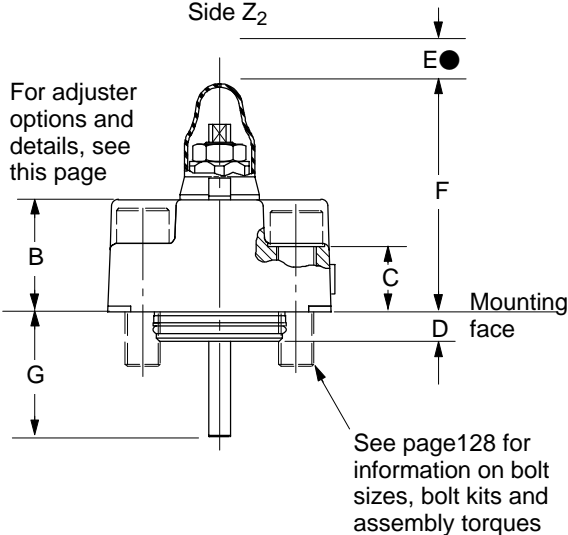
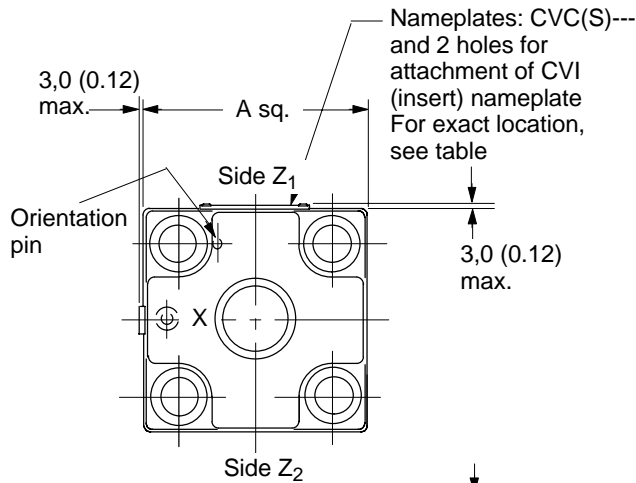
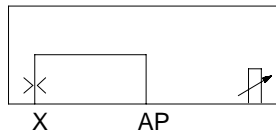
Sizes 16 to 40

CVC(S)--A

Sizes 50 and 63

(CVC = B2

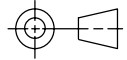
CVCS = S2)



● Minimum clearance for removal of cover from manifold. For adjuster type K allow 43,0 (1.69) for key removal, see this page.

Details of Stroke Adjusters

For cover types CVC(S)---A, A1, A3

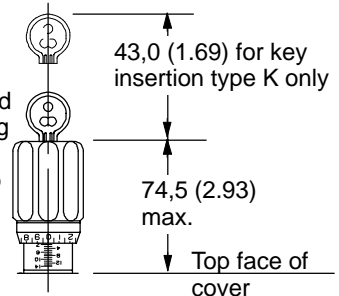


Types K and M

Sizes 16, 25 and 32 only

Type K:

Adjustment of valve setting is only possible while key is inserted and turned to engage driving pin. When key is removed, adjuster knob can be freely spun and does not engage with mechanism.



Type W

Sizes 16 and 25

Size 32 (CVCS--A only)

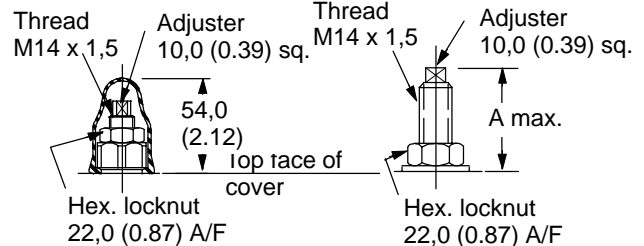
Type W

Size 32 (CVCS--A1/A3 only)

Size 40

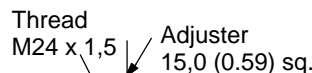
Size 32: A = 36,0 (1.42)

Size 40: A = 43,0 (1.7)



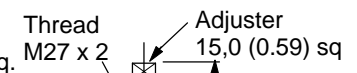
Type W

Size 50



Type W

Size 63



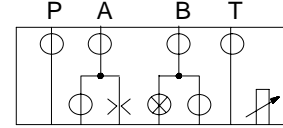
Size	A	B	C	D max. Tolerance -0,1 (0.004)	E	F max. for adjuster type K & M	G Max.	Min.	Location of nameplate	
16	65,0 (2.56)	35,0 (1.38)	26,0 (1.02)	8,0 (0.315)	12,0(0.47)	109,5(4.31)	89,0(3.50)	31,0(1.22)	26,0(1.02)	Side Z ₁
25	85,5 (3.37)	42,0 (1.65)	25,0 (0.98)	10,5 (0.413)	22,0(0.90)	116,5(4.59)	96,0(3,78)	47,0(1.85)	32,0(1.26)	Side Z ₁
32	102,5 (4.04)	51,0 (2.01)	30,0 (1.18)	13,0 (0.512)	31,0(1.22)	125,5(4.94)	105,0(4.13)	57,0(2.24)	43,0(1.69)	Side Z ₁
40	124,5 (4.90)	61,0 (2.40)	35,0 (1.38)	15,0 (0.591)	33,0(1.30)	–	127,6(5.02)	76,0(2.99)	62,0(2.44)	Side Z ₁
50	141,0 (5.55)	70,0 (2.76)	44,0 (1.73)	18,0 (0.709)	34,0(1.34)	–	127,0(5.0)	81,0(3.19)	56,0(2.20)	Side Z ₂
63	181,0 (7.12)	86,0 (3.38)	48,0 (1.89)	20,0 (0.787)	43,0(1.70)	–	152,0(5.98)	108,5(4.27)	76,5(3.01)	Side Z ₂

Covers for Directional and Flow Control Functions "A1/A3"

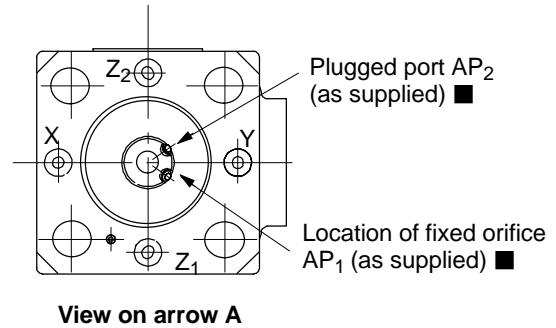
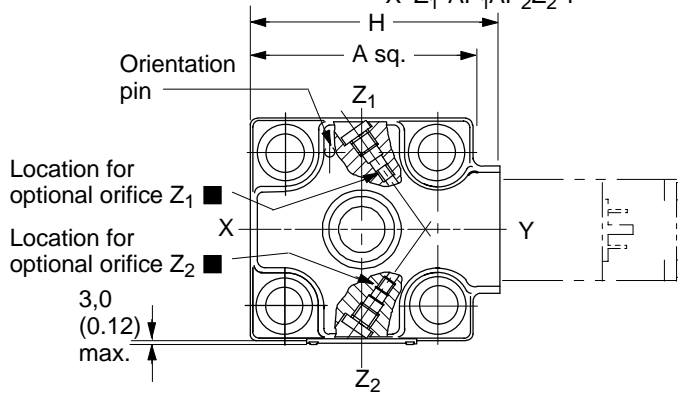
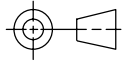
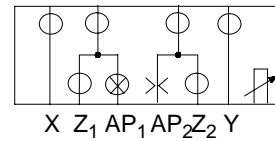
CVCS--A1**
CVCS--A3**

Sizes 16 to 32
For size 40 see next page

As supplied for
Normally Closed function



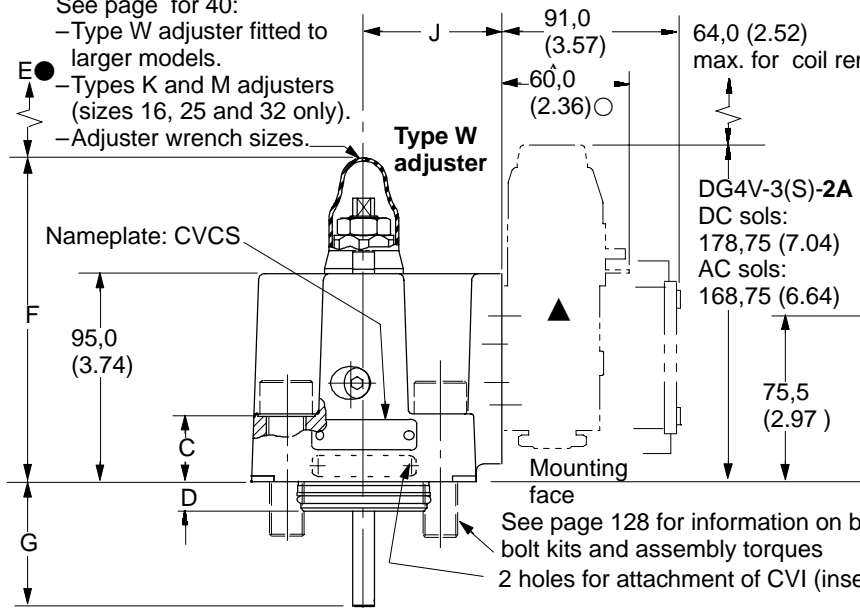
As can be modified for Normally Open
function: interchange plug/orifice in AP₁/AP₂



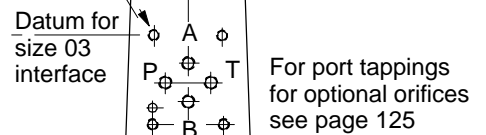
Type W adjuster as fitted
to sizes 16, 25 and 32.

See page 40 for:

- Type W adjuster fitted to larger models.
- Types K and M adjusters (sizes 16, 25 and 32 only).
- Adjuster wrench sizes.



- 4 mounting holes tapped according to model code on page 29:
- For \square = 1: #10-24 UNC-2B x 12,7 (0.5) deep
- For \square = 3: M5-6H x 12,0 (0.47) deep



**Interface to ISO 4401
size 03
(ANSI/B93.7M-D03)**

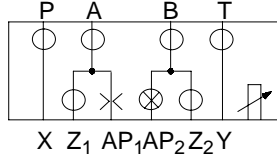
- For thread sizes and orifice kits see page 124.
- Minimum clearance for removal of cover from manifold. For adjuster type K allow 43,0 (1.69) for key removal, see page 40.

- ▲ Size 03 pilot control valve to be ordered separately. Recommended model Vickers DG4V-3(S), see GB-C-2015.
- DG4V-3(S) with coil type U.
- △ DG4V-3(S) with coil type F and terminal box.

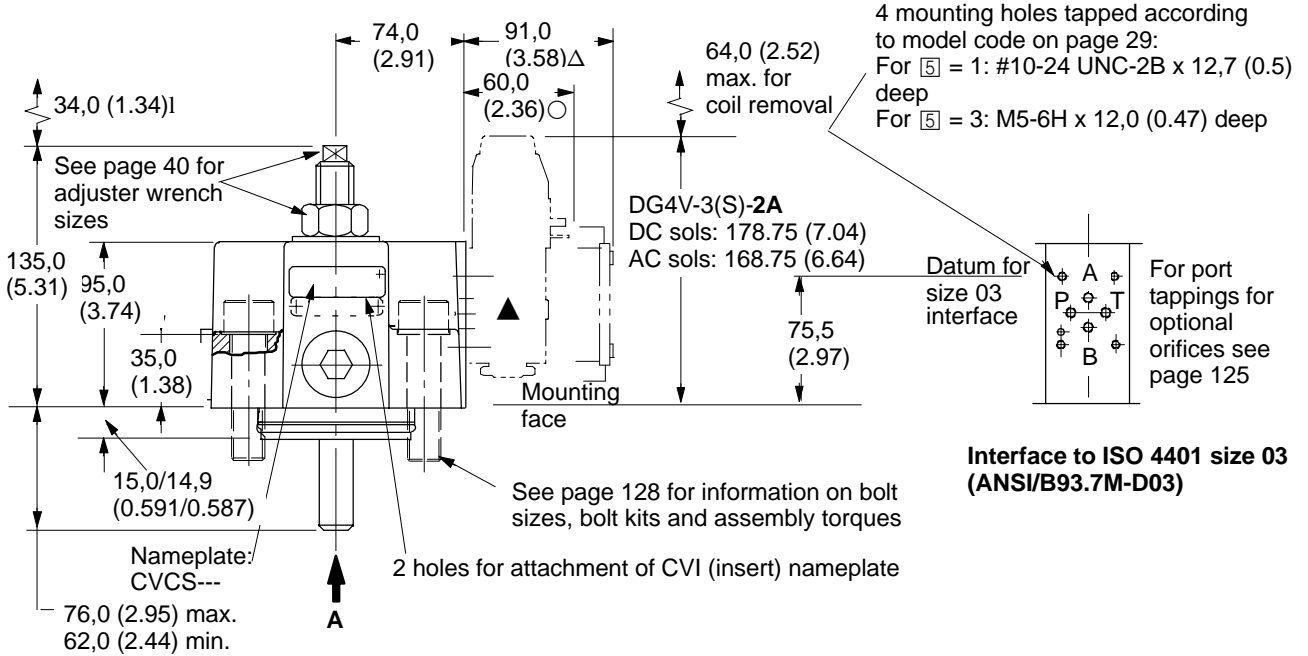
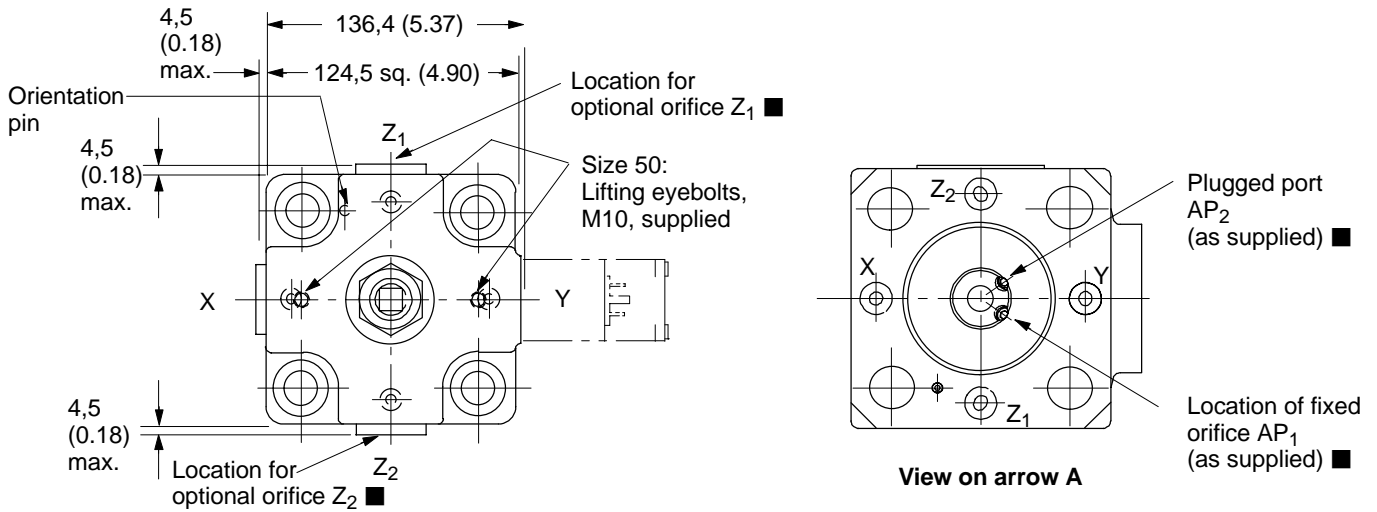
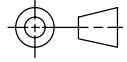
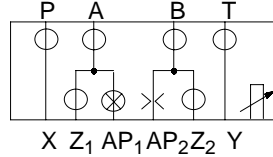
Size	A	C	D max. Tolerance -0,1 (0.004)	E	F for adjuster type:		G Max.	H		J
					K & M	W		Max.	Min.	
16	65,2 (2.57)	26,0 (1.02)	8,0 (0.315)	12,0 (0.47)	167,5 (6.59)	148,0 (5.83) max.	31,0 (1.22)	26,0 (1.02)	82,8 (3.25)	50,0 (1.97)
25	85,8 (3.38)	25,0 (0.98)	10,5 (0.413)	25,0 (0.98)	167,5 (6.59)	148,0 (5.83) max.	47,0 (1.85)	32,0 (1.26)	99,5 (3.92)	57,0 (2.24)
32	102,5 (4.04)	30,0 (1.18)	13,0 (0.512)	31,0 (1.22)	167,5 (6.59)	148,0 (5.83) max.	57,0 (2.24)	43,0 (1.69)	113,9 (4.48)	63,0 (2.48)

CVCS--A1
CVCS--A3
 Size 40

As supplied for
 Normally Closed function



As can be modified for Normally Open function: interchange plug/orifice in AP₁/AP₂



■ For thread sizes and orifice kits see page 124.

● Minimum clearance for removal of cover from manifold. For adjuster type K allow 43,0 (1.69) for key removal, see page 40.

▲ Size 03 pilot control valve to be ordered separately. Recommended model Vickers DG4V-3(S), see GB-C-2015.

○ DG4V-3(S) with coil type U.

△ DG4V-3(S) with coil type F and terminal box.

Pressure Relief and Venting Functions

General Information

Cartridge relief valve covers feature manual pressure setting adjustment with a choice of adjusters, i.e. micrometer (M), micrometer with key lock (K), or standard square end screw with hex. locknut (W). Additionally, venting, unloading, and remote piloting are possible. Alternative arrangements include integral electrical selection of pressure or venting and of dual pressure settings and venting. Electrically proportional control is also available.

The cartridge insert consists of a sleeve, a seating poppet (area ratio 1:1), and a closing spring (Figure 2, page 13). It is retained in the manifold cavity by a control cover which contains the manually adjustable pilot valve and all piloting connections. An ISO 4401, size 03 (ANSI/B93.7M-D03) mounting interface for pilot control valves or modules is optional.

Cartridge valve characteristics can be matched to application requirements by adding suitable orifices in the pilot circuit.

Relief valve arrangements described in this catalog can be built into system manifold assemblies with directional flow regulating and pressure reducing functions in cartridge form.

System Relief Valve

ISO 7368, B*-**-2-B specifies an interface strictly for use with main system relief valves. This interface differs from ISO 7368, B*-**-2-A, only in the position of the orientation pin (see page 131) which prevents any other valve function from being inadvertently installed where a system relief valve should be used.

Vickers introduces system relief valve covers, type CVCS-**-SC(*) in compliance with ISO 7368, B*-**-2-B. This is in addition to existing relief covers type CVCS-**-C(*) which conform to ISO 7368, B*-**-2-A.

Maximum Operating Pressure

Up to 350 bar (5000 psi), dependent on the maximum pressure of any pilot valve or module used.

Pressure Adjustment Range

3 to 125 bar (43 to 1800 psi)
5 to 250 bar (72 to 3600 psi)
8 to 350 bar (116 to 5000 psi)

Maximum Recommended Flow Rates

Nominal sizes ISO 7368 (DIN 24342):
06 (NG16) 230 L/min (60 USgpm)
08 (NG25) 550 L/min (145 USgpm)
09 (NG32) 900 L/min (238 USgpm)
10 (NG40) 1200 L/min (317 USgpm)

Control Data

Manual pressure adjustment is located in the control cover. Adjustment options are shown starting on page 51.

A vent connection is provided for optional remote control by suitable pilot pressure or pilot directional control valve(s). These can simulate remotely the integral pilot options shown starting on page 51. For typical pilot flows, see chart below.

Pilot Control Modules

Details of CVG***-3 pilot control modules are shown on pages 120-123.

Pilot Control Flows for Maximum Pressure

Nominal valve size ISO 7368 (DIN 24342)	Flow rate through main valve L/min (USgpm)	Pilot flow in L/min (USgpm) for pressure at the A(P) port of 350 bar (5000 psi)
06 (NG16)	50 (13.2)	1,60 (0.42)
	230 (60.1)	2,00 (0.53)
08 (NG25)	20 (5.3)	1,15 (0.30)
	200 (52.8)	1,50 (0.4)
	550 (145)	1,70 (0.45)
09 (NG32)	25 (6.6)	1,14 (0.30)
	200 (52.8)	1,60 (0.42)
	680 (180)	1,75 (0.46)
10 (NG40)	25 (6.6)	1,28 (0.34)
	400 (105.7)	1,60 (0.42)
	700 (184.9)	2,00 (0.53)

Pressure Relief and Venting Functions

General Information

The pressure relief function is obtained by using a model D10 or C10F (1:1 area ratio) insert poppet and either a model C or C1/C3 cover. The C1/C3 cover includes a mounting pad for a pilot valve with an ISO 4401, size 03 (ANSI/B93.7M-D03) interface. Single or double solenoid pilot valves are applicable. A model CVGC-3 module is available for use with dual solenoid pilot valves to obtain two pressure settings and a vent

(both solenoids de-energized) condition. For main system relief functions use model type SC, SC1 or SC3.

Electrically controlled proportional pilots provide infinitely variable pressure settings over a wide pressure range, achieved by using either a D3 cover or a remote pilot.

In each configuration the Z₁ port is used as a vent port or for remote hydraulic

control. A suitable remote control is the CGR-02 valve. Port Z₁ should be blocked when not required. Port Y is a drain port. When the insert's B port goes directly to tank the Y port can be connected to it. However, any back pressure in the B port is additive to the pressure setting. If there are pressure surges in the B port, the Y port should be directly drained to the tank through a separate line. All functions are available in sizes 16, 25, 32 and 40.

Pressure Relief Function: Sizes 16 to 40

Two insert types are available for pressure relief functions:

Type D10 has no internal orifice and requires pilot connection A to X to be made in the manifold block.

Type D10 insert has good response combined with low shock characteristics and is recommended for general use.

Type C10F has a fixed orifice connecting port A to the pilot relief stage, allowing through-spool piloting for faster response.

The higher response characteristics of type C10F can be further enhanced by the addition of the connection A to X within the manifold block. System shock generation is dependent on the usual factors of trapped volume, system pressure and flow rate.

For stable valve operation follow Vickers recommendations for selection of spring for each size of insert. See model code [5](#), page 47.

Factory-fitted orifices in the covers are sized such that a given relief cover can be used with either insert type. Further fine tuning to suit particular system requirements can be achieved by changing orifice sizes.

Operation of both types D10 and C10F is similar: System pressure at A(P), Figures 23 and 24, is determined by manual pilot adjustment. Orifices in AP and X ports dampen poppet reaction time, preventing instability.

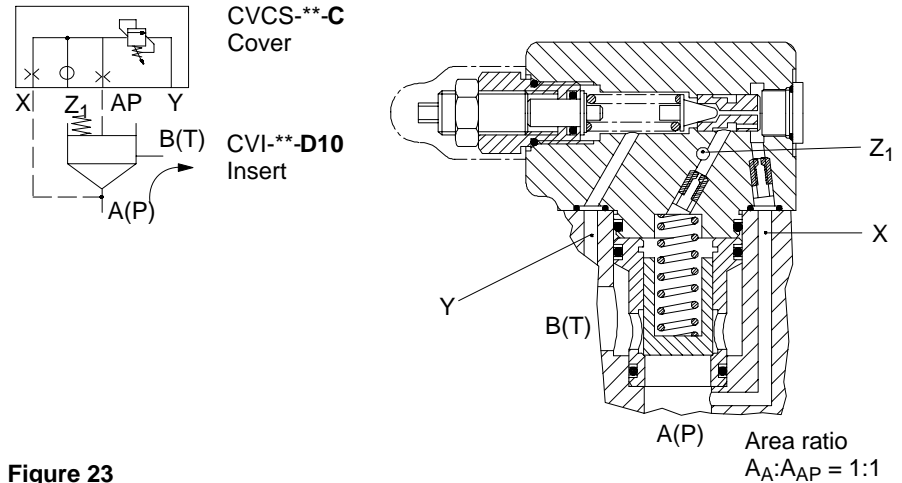


Figure 23

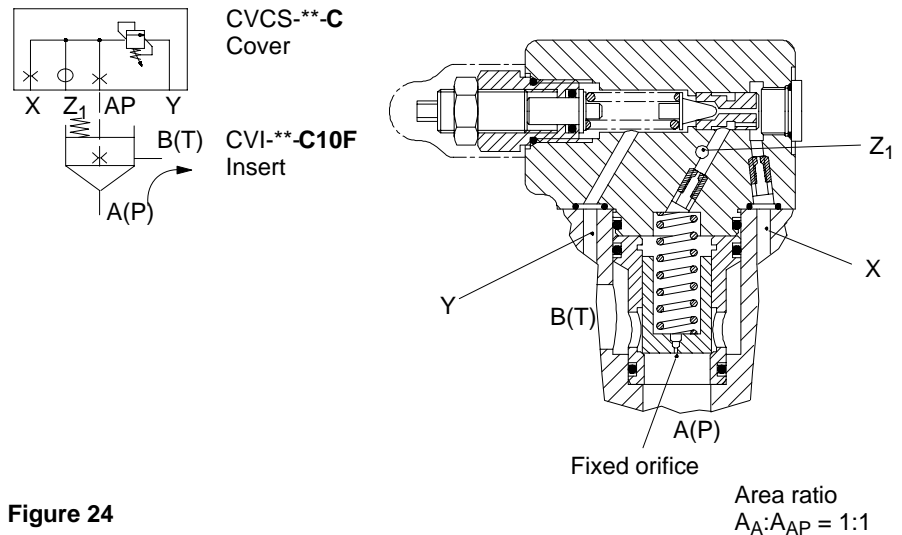


Figure 24

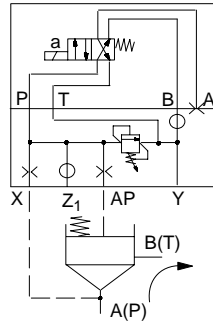
Connecting port Z₁ to tank (via an appropriate remote control valve) vents the system pressure at port A(P) to a level equivalent to insert poppet spring

load plus override pressure. See curves on starting on page 49 for override pressure versus flow rate.

Pressure Relief and Single Solenoid Pilot Valve: Sizes 16 to 40

When the solenoid is de-energized, Figure 25, the cartridge is vented. When the solenoid is energized, pressure at port A(P) is limited by the setting of the adjuster in the cover.

A left hand pilot valve arrangement is shown. A right hand model would allow venting when the solenoid is energized.



DG4V-3(S)-*A Pilot valve
CVCS-**-C1/C3 Cover
CVI-**-D10 Insert ■

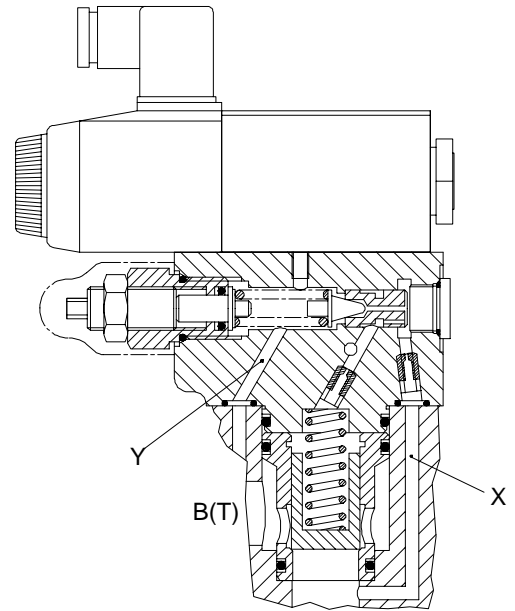


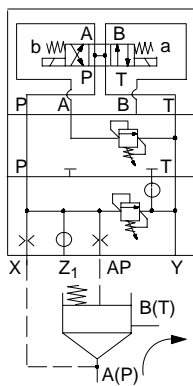
Figure 25

A(P) Area ratio
 $A_A:A_{AP} = 1:1$

Pressure Relief and Dual Solenoid Pilot Valve: Sizes 16 to 40

The CVGC-3 module, Figure 26, controls low pressure which occurs when solenoid "a" is energized. Solenoid "b" is energized to obtain the high pressure set by the adjuster on the C1/C3 cover. When both solenoids are de-energized, system pressure is vented to the reservoir.

For selection of pilot control module CVGC-3, see pages 120 123.



DG4V-3(S)-*C Pilot valve
CVGC-3 Module Low pressure control
CVCS-**-C1/C3 Cover
CVI-**-D10 Insert ■

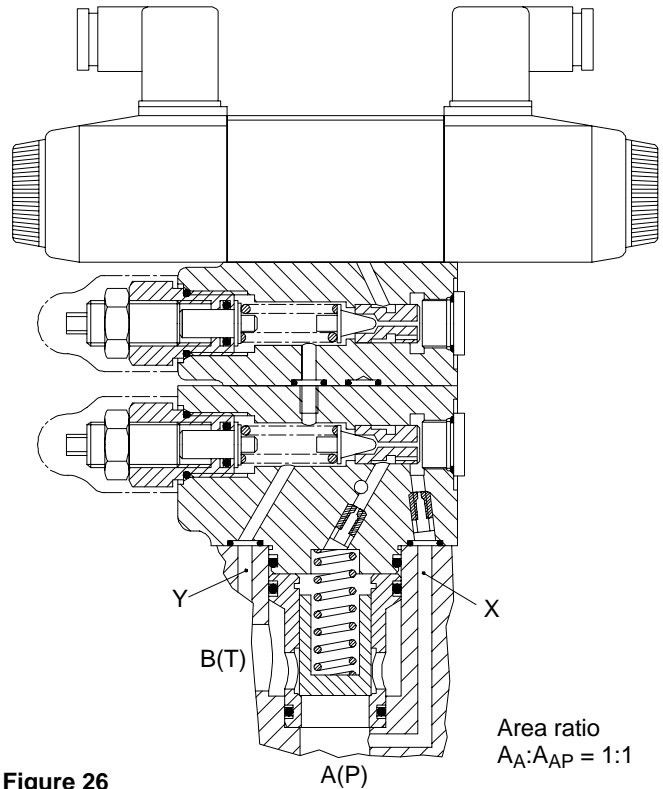


Figure 26

Area ratio
 $A_A:A_{AP} = 1:1$

■ Inserts used for the relief function or combination relief and unloading functions are D10 models. The D16 insert is not to be used as a pressure control such as relief or counterbalancing.

Pressure Relief (Proportional) and Unloading/Relief Functions

Remote Relief By Electrohydraulic Proportional Control: Sizes 16 to 40
 Maximum pressure is set by the adjuster on the C1/C3 cover. See Figure 27. Pressures below this pressure are remotely electrically adjusted by the proportional pilot valve. Increasing current to the pilot increases the pressure setting.

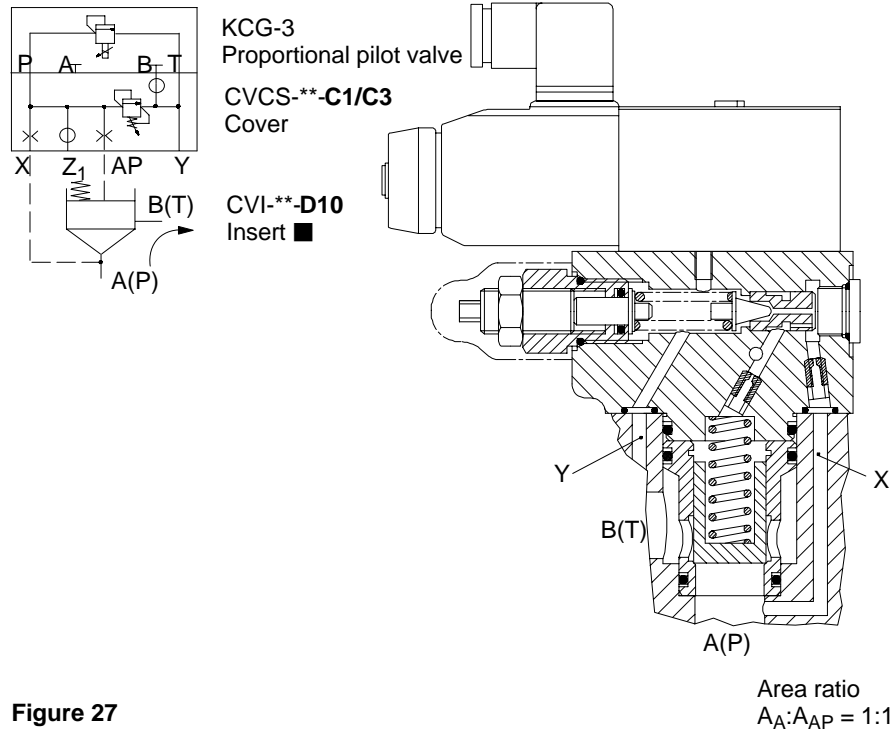


Figure 27

The pilot valve can be any of those shown in the following table, depending on the working pressure involved. Electronic controllers for the pilots are also shown.

For precise KCG-3 configuration according to pressure range and size of cover being used, please refer to page 54.

■ Inserts used for the relief function or combination relief and unloading functions are D10 models. The D16 insert is not to be used as a pressure control such as relief or counterbalancing.

Pilot valve	Maximum adjustable pressure	Pilot valve catalog	Electronic controller
KCG-3	350 bar (5000 psi)	2162	EEA-PAM-513-A-**
EHST-3	210 bar (3000 psi)	441	Integral
KCG-3---EN46	350 bar (5000 psi)	2162	UNIPLUG

Model Codes - Pressure Relief and Venting Functions

CVCS Covers

Vickers type “CVCS” cartridge covers featured in this catalog conform to installation requirements of ISO 7368

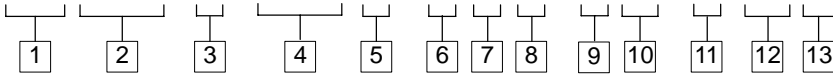
and DIN 24342. This includes *function types SC, SC1 and SC3.*

All features must be specified when ordering; those in brackets () are optional or apply only to specific models.

Metric Models

Metric bolt tappings and orifice threads; BSPF plugs. Mounting bolts supplied.

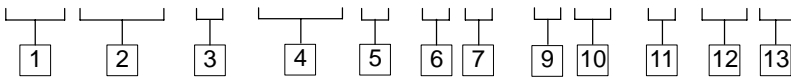
(F3-) CVCS - ** - (S)C(*) (3) - B 2 9 - * * - 1* (-*** **)**



Non-Metric Models

UNC bolt tappings; UNF orifice threads; SAE plugs; mounting bolts not supplied.

(F3-) CVCS - ** - (S)C(*) (1) - S 2 - * * - 1* (-*** **)**



1 Seal Material

F3 - Special seals. See “Fluids and Seals” on page 16.
Omit for standard seals.

2 Model

CVCS - Cartridge valve cover to ISO 7368

3 Nominal size to ISO 7368 (DIN 24342)

16 - 06 (NG16)
25 - 08 (NG25)
32 - 09 (NG32)
40 - 10 (NG40)

4 Function

C - Pressure relief (ISO 7368, B*-*-2-A)
C* - Pressure relief (ISO 7368, B*-*-2-A) with mounting face for size 03 pilot valve
SC - Pressure relief (ISO 7368, B*-*-2-B)
SC* - Pressure relief (ISO 7368, B*-*-2-B) with mounting face for size 03 pilot valve

* Code for optional threads, see 5.

5 Size 03 pilot valve mounting bolt tappings

1 - Inch threads
3 - Metric threads
Omit for types C and SC

6 Plugs and orifice threads

B - G (BSPF) threads for closure plugs; metric threads for orifices
S - SAE threads for closure plugs; UNF threads for orifices

7 Seals

2 - Inch O-ring seals to ISO 3601

8 Mounting bolts

9 - Metric mounting bolts supplied

9 Adjuster mechanism

K - Micrometer adjuster with keylock
M - Micrometer adjuster without lock
W - Wrench adjustment with hex locknut

10 Adjustable pressure range

125 - 3-125 bar (44-1800 psi)
250 - 5-250 bar (73-3600 psi)
350 - 8-350 bar (116-5000 psi)

For proportional control ranges, see page 54.

11 Design number, 1* series

Subject to change. Installation dimensions unchanged for design numbers 10 to 19 inclusive.

See page 124 for sizes of factory-fitted standard orifices. Other orifice sizes and locations can be fitted by special arrangement with your Vickers representative. Non-standard orifice requirements should be defined as follows:

12 Pilot control orifice location

Specify port location for non-standard orifice, e.g. “AP”, followed by orifice size code, see 13 Repeat as necessary for further non-standard requirements.

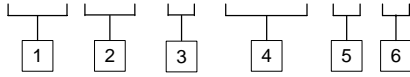
13 Orifice size

Specify non-standard orifice size code, see tables on page 125.

CVI Inserts

All features must be specified when ordering; those in brackets () are optional.

(F3-) CVI - ** - *10(F) - * - 4*



1 Seal Material

F3 - Special seals. See "Fluids and Seals" on page 16.
Omit for standard seals.

2 Model

CVI - Cartridge valve insert

3 Nominal size to ISO 7368 (DIN 24342)

16 - 06 (NG16)
25 - 08 (NG25)
32 - 09 (NG32)
40 - 10 (NG40)

4 Function

C10F - 1:1 ratio with fixed orifice
D10 - 1:1 ratio

5 Cracking pressure, bar (psi)

For correct relief function specify spring code according to model size.

Size	Spring code	Cracking pressure bar (psi)
16	M	1,55 (22.5)
25	H	3,1 (45)
32	H	3,1 (45)
40	C	2,35 (34)

6 Design number, 4* series

Subject to change. Installation dimensions unchanged for design numbers 40 to 49 inclusive.

Note: A nameplate is supplied with each insert for fixing to the cover to identify the insert in use.

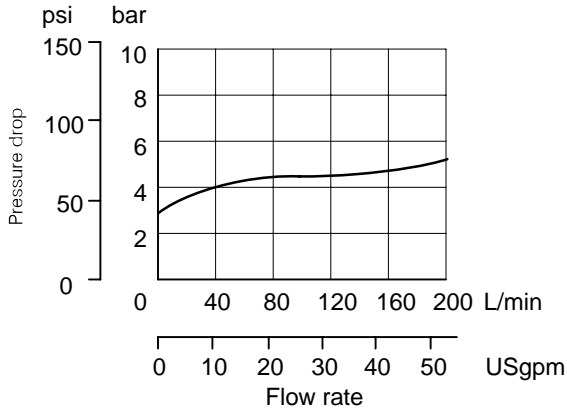
Performance Data - Pressure Relief and Venting Functions

Unless otherwise stated, performances are based on petroleum oil at 36 cSt (168 SUS) and at 50°C (122°F). For pressure drops at other viscosities, see page 127.

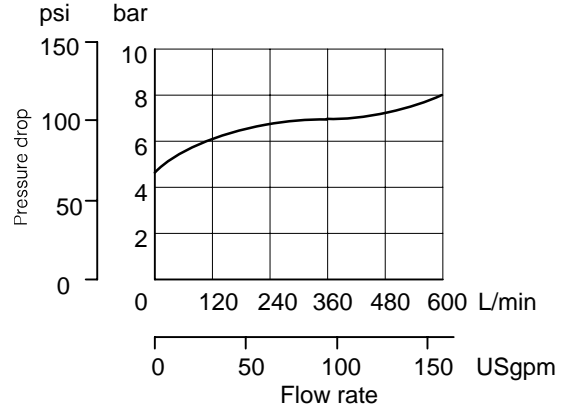
Thermal stability of proportional cartridge systems primarily depends on the proportional pilot valve.

Pressure Drop/Flow (Flow from Port A to B)

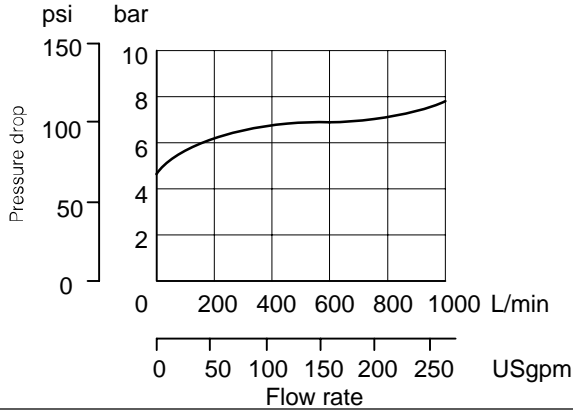
Cover CVCS-16-C-*2(9)-*-***-1*
Inserts CVI-16-D10-M-4* and CVI-16-C10F-M-4*



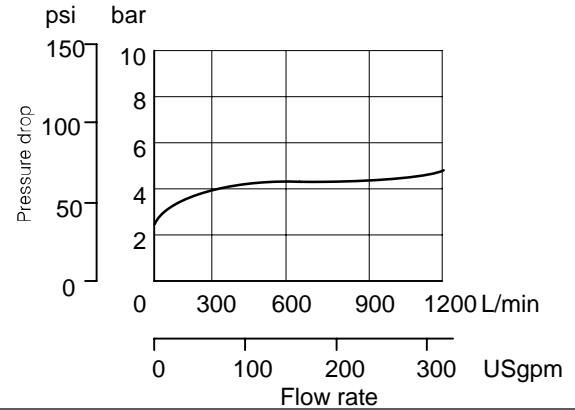
Cover CVCS-25-C-*2(9)-*-***-1*
Inserts CVI-25-D10-H-4* and CVI-25-C10F-H-4*



Cover CVCS-32-C-*2(9)-*-***-1*
Inserts CVI-32-D10-H-4* and CVI-32-C10F-H-4*

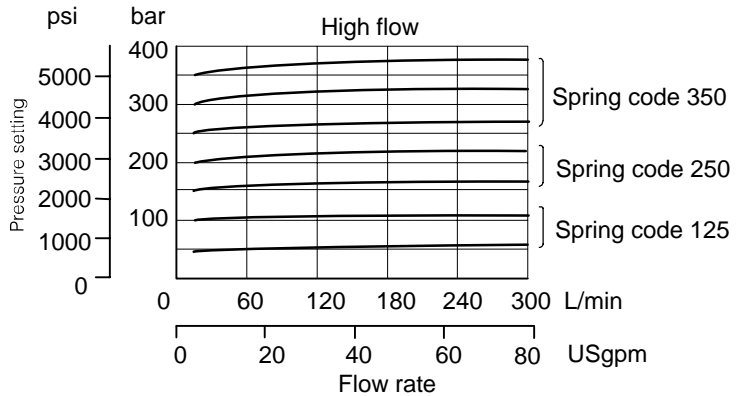
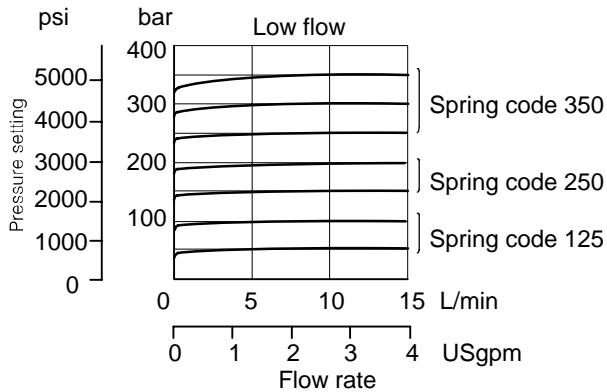


Cover CVCS-40-C-*2(9)-*-***-1*
Inserts CVI-40-D10-C-4* and CVI-40-C10F-C-4*



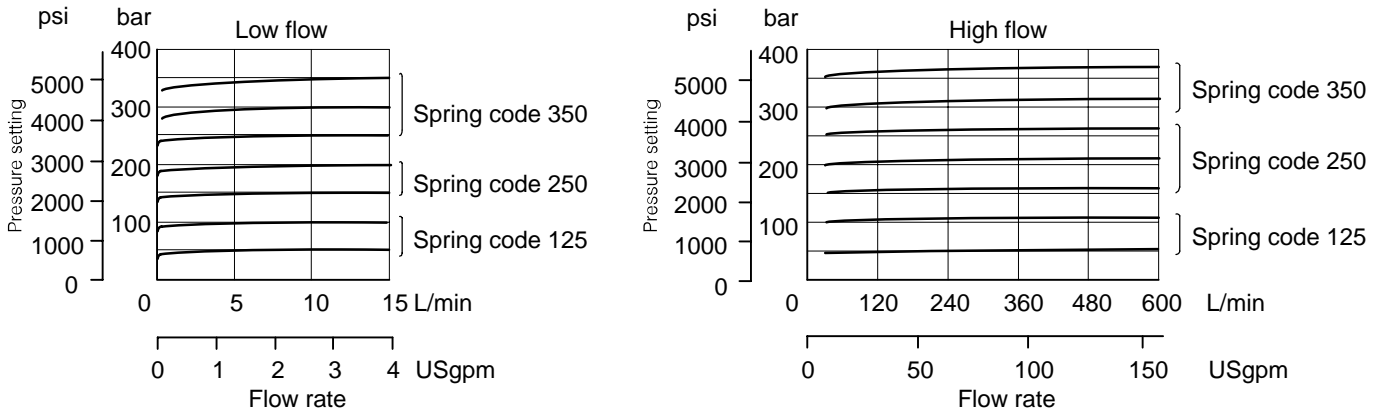
Pressure Override

Cover CVCS-16-C-*2(9)-*-***-1*
Inserts CVI-16-D10-M-4* and CVI-16-C10F-M-4*

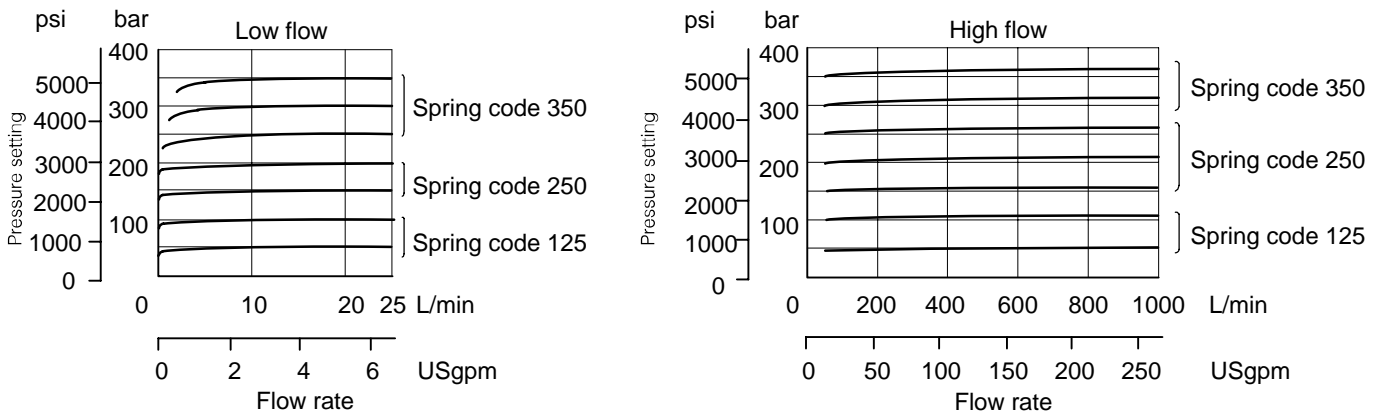


Pressure Override (continued)

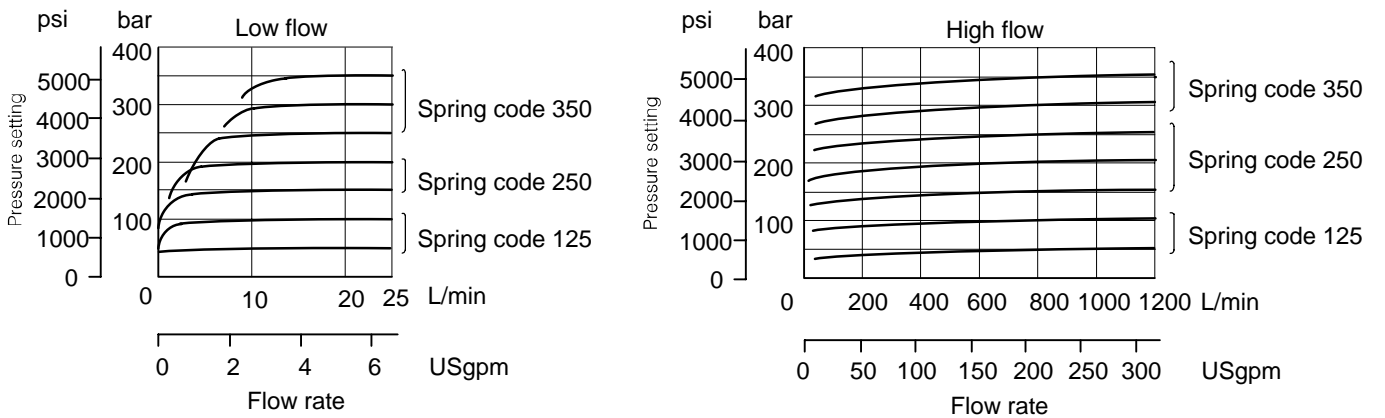
Cover CVCS-25-C-*2(9)-*-*-1*
 Inserts CVI-25-D10-H-4* and CVI-25-C10F-H-4*



Cover CVCS-32-C-*2(9)-*-*-1*
 Inserts CVI-32-D10-H-4* and CVI-32-C10F-H-4*

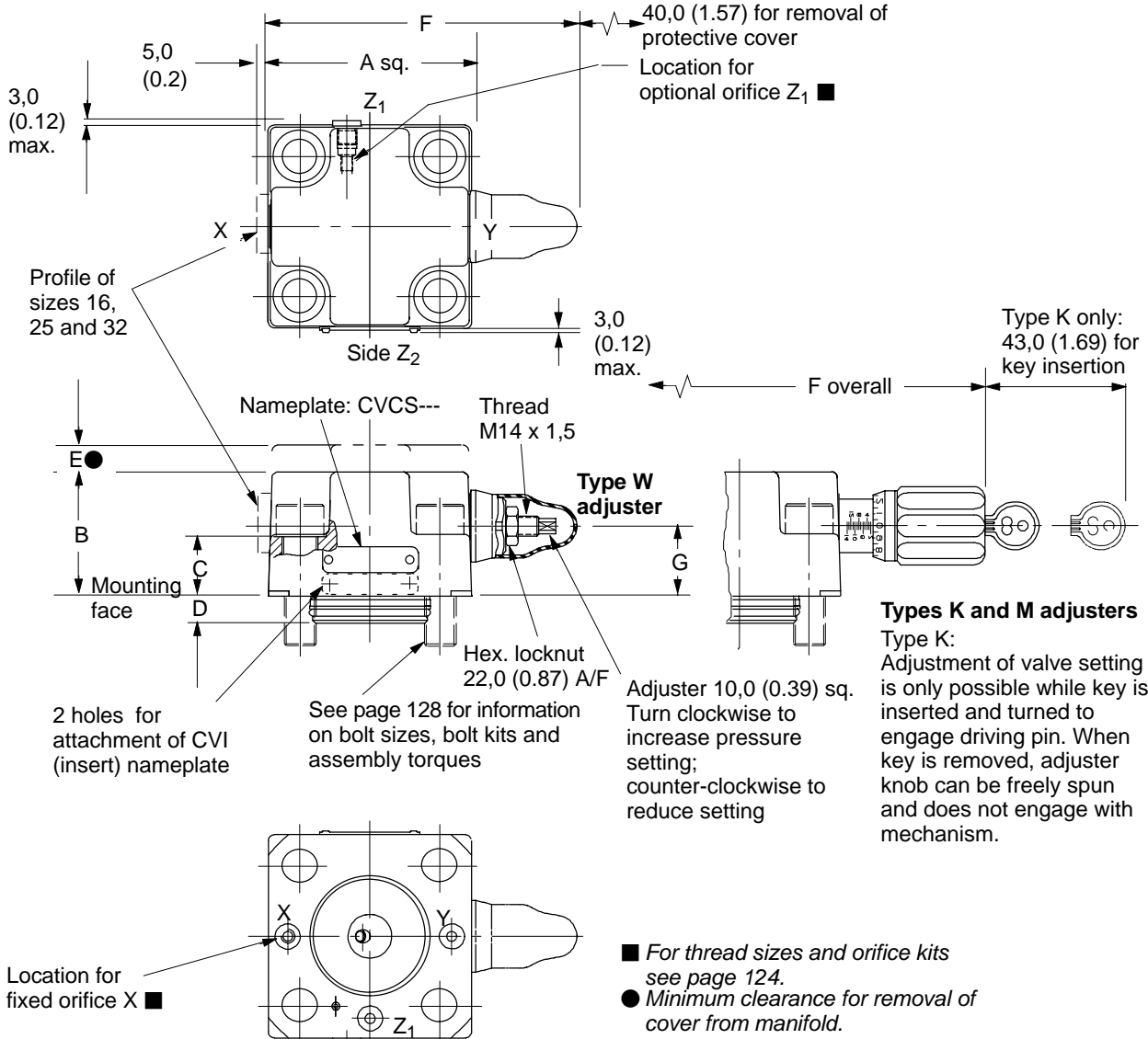
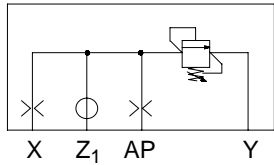
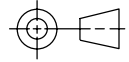


Cover CVCS-40-C-*2(9)-*-*-1*
 Inserts CVI-40-D10-C-4* and CVI-40-C10F-C-4*



Pressure Relief and Venting Functions

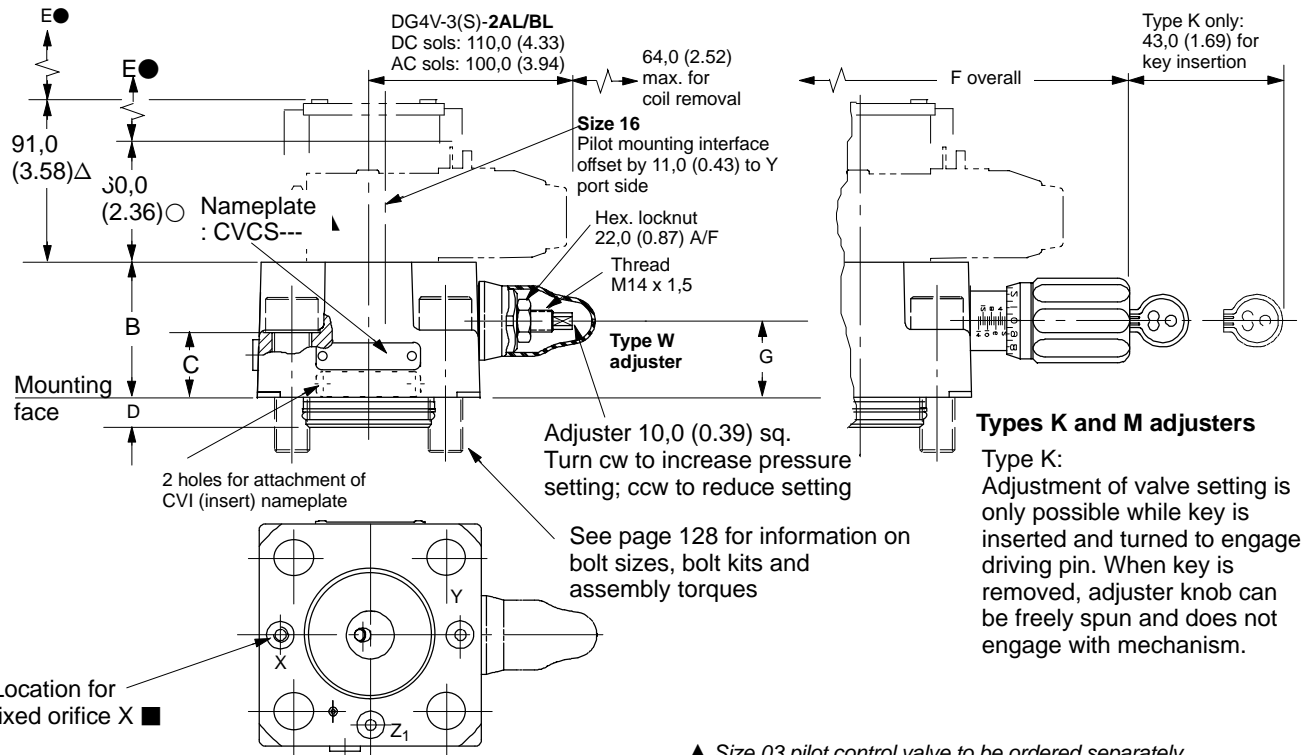
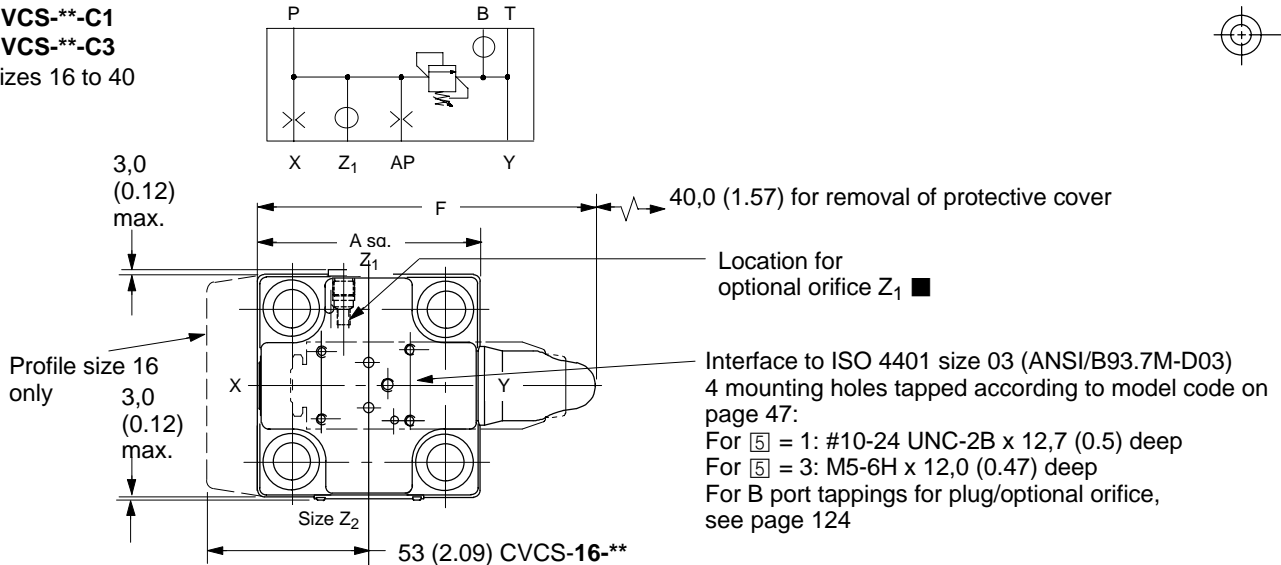
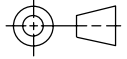
CVCS--C**
Sizes 16 to 40



Size	A	B	C	D max. Tolerance -0,1 (0.004)	E	F max. for adjuster type:		G
						K & M	W	
16	65,0 (2.56)	46,0 (1.81)	36,0 (1.42)	8,0 (0.315)	12,0 (0.47)	178,0 (7.00)	148,5 (5.85)	26,0 (1.02)
25	85,0 (3.35)	51,0 (2.01)	25,0 (0.98)	10,5 (0.413)	22,0 (0.90)	168,5 (6.63)	148,5 (5.85)	26,0 (1.02)
32	102,5 (4.04)	62,0 (2.44)	30,0 (1.18)	13,0 (0.512)	31,0 (1.22)	171,7 (6.76)	154,4 (6.08)	35,0 (1.38)
40	125,5 (4.94)	61,0 (2.40)	35,0 (1.38)	15,0 (0.591)	33,0 (1.30)	-	179,0 (7.05)	34,0 (1.33)

Pressure Relief & Venting Functions with Electrical Selection

CVCS-**-C1
CVCS-**-C3
Sizes 16 to 40



- For thread sizes and orifice kits see page 124.
- Minimum clearance for removal of cover from manifold.

- ▲ Size 03 pilot control valve to be ordered separately. Recommended model Vickers DG4V-3(S), see GB-C-2015.
- DG4V-3(S) with coil type U.
- △ DG4V-3(S) with coil type F and terminal box.

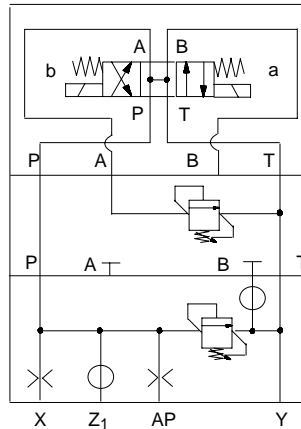
Size	A	B	C	D max. Tolerance -0,1 (0.004)	E	F max. for adjuster type: K & M W	G
16	65,0 (2.56)	48,0 (1.89)	26,0 (1.02)	8,0 (0.315)	12,0 (0.47)	178,0 (7.00) -	26,0 (1.02)
25	85,0 (3.35)	48,0 (1.89)	26,0 (1.02)	10,5 (0.413)	22,0 (0.90)	168,5 (6.63) 148,5 (5.85)	26,0 (1.02)
32	101,8 (4.01)	60,0 (2.36)	35,0 (1.38)	13,0 (0.512)	31,0 (1.22)	171,7 (6.76) 154,4 (6.08)	35,0 (1.38)
40	124,5 (4.90)	58,0 (2.28)	34,0 (1.33)	15,0 (0.591)	33,0 (1.30)	- 179,0 (7.05)	34,0 (1.33)

Pressure Relief Function with High and Low Adjustable Settings, Vented by Electrical Selection

Dual Pressure Control

For dimensions of CVCS-**-C1/C3 covers, and adjustment types, see page 52.

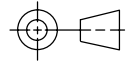
For dimensions of CVGC-3 module see page 123 .



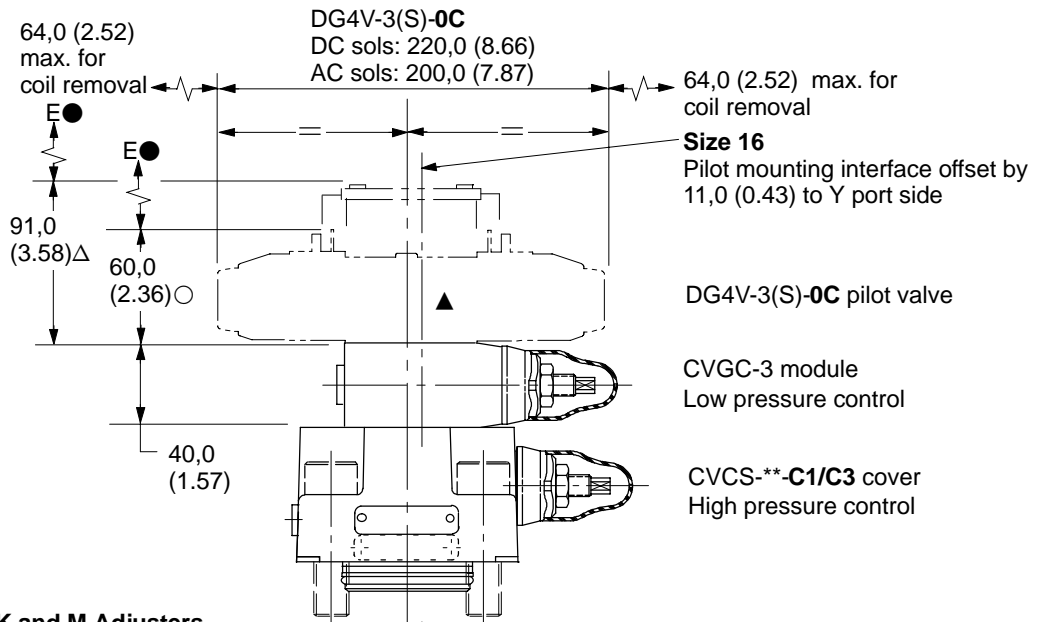
DG4V-3(S)-0C pilot valve
Energize sol. a for low pressure
Energize sol. b for high pressure
De-energize solenoids for venting

CVGC-3 module Low pressure control

CVCS-**-C1/C3 cover High pressure control

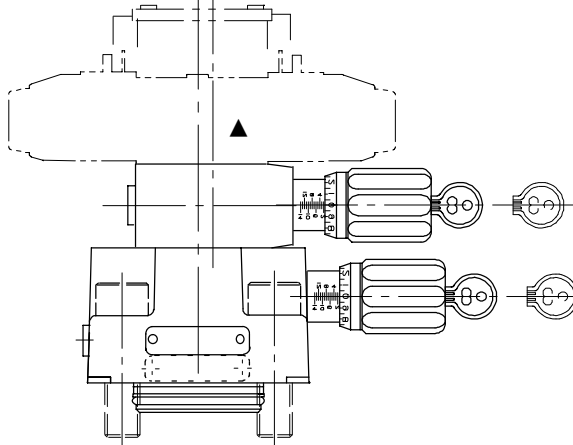


Arrangement With Type W Adjusters



Arrangement With Types K and M Adjusters

Type K:
Adjustment of valve setting is only possible while key is inserted and turned to engage driving pin. When key is removed, adjuster knob can be freely spun and does not engage with mechanism.



■ For thread sizes and orifice kits see page 124.

● Minimum clearance for removal of cover from manifold. See previous page

▲ Size 03 pilot control valve to be ordered separately. Recommended model Vickers DG4V-3(S), see GB-C-2015.

○ DG4V-3(S) with coil type U.

△ DG4V-3(S) with coil type F and terminal box.

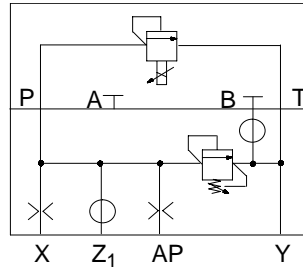
Pressure Relief Function with Electrohydraulic Proportional Control/KCG-3 Pilot

For dimensions of CVCS-**-C1/C3 covers, and adjustment types, see page 52.

CVCS-**-C1/C3 Cover with KCG-3 Pilot Valve

For proportional relief valves using standard CVCS-**-C1/C3 covers, the correct KCG-3 proportional pilot valve should be selected from the following table according to the size and pressure range being used. The sizing and combination of orifices fitted into these pilot valves have been determined by testing to give good response and stable operation across a wide range of average system parameters using standard covers (i.e. with standard sizes of factory fitted orifices – see page 124).

Other orifice combinations can be provided to meet individual requirements of customer installations. Please contact your Vickers representative.

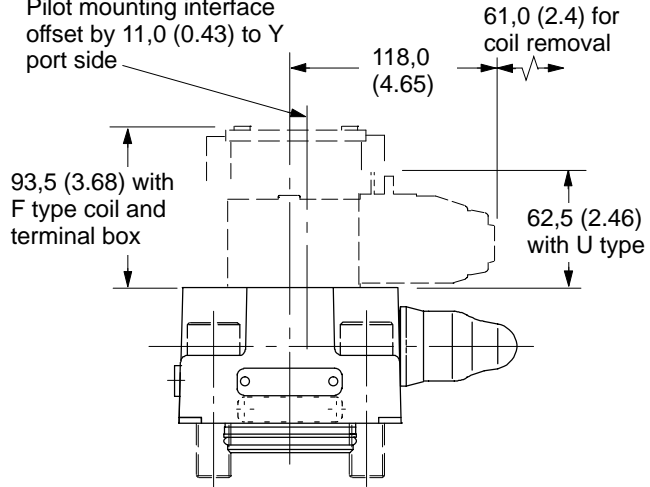


KCG-3
Proportional pilot valve

CVCS-**-C1/C3
Cover

Size 16

Pilot mounting interface offset by 11,0 (0.43) to Y port side



Size	Pressure control range bar (psi)	Cover max. pressure code, see CVCS model code □ , page 47	Pilot valve model code For KCG models add required coil connection and rating (See catalog GB-C-2162B for full model code details of KCG-3)
16	5-40 (72-580)	125	KCG-3-40-D-Z-M---10 (standard)
	6-100 (87-1450)	125	KCG-3-100-D-Z-M---10-P18-T15
	7-160 (102-2320)	250	KCG-3-160-D-Z-M---10-P15-T12
	7,5-250 (109-3625)	250	KCG-3-250-D-Z-M---10-P15-T10
	7,5-350 (109-5075)	350	KCG-3-350-D-Z-M---10-P15-T10
25	7-40 (102-580)	125	KCG-3-40-D-Z-M---10 (standard)
	8,5-100 (124-1450)	125	KCG-3-100-D-Z-M---10-P18-T15
	9,5-160 (138-2320)	250	KCG-3-160-D-Z-M---10-P15-T12
	10,5-250 (153-3625)	250	KCG-3-250-D-Z-M---10-P15-T10
	10,5-350 (153-5075)	350	KCG-3-350-D-Z-M---10-P15-T10
32	7-40 (102-580)	125	KCG-3-40-D-Z-M---10 (standard)
	8,5-100 (124-1450)	125	KCG-3-100-D-Z-M---10-P18-T15
	9,5-160 (138-2320)	250	KCG-3-160-D-Z-M---10-P15-T12
	10,5-250 (153-3625)	250	KCG-3-250-D-Z-M---10-P15-T12
	10,5-350 (153-5075)	350	KCG-3-350-D-Z-M---10-P15-T12
40	7-40 (102-580)	125	KCG-3-40-D-Z-M---10-T15
	8,5-100 (124-1450)	125	KCG-3-100-D-Z-M---10-T15
	9,5-160 (138-2320)	250	KCG-3-160-D-Z-M---10-T15
	10,5-250 (153-3625)	250	KCG-3-250-D-Z-M---10-T15
	10,5-350 (153-5075)	350	KCG-3-350-D-Z-M---10-T15

Pressure Unloading/Relief Functions

General Information

In addition to providing the basic relief function (as described in the preceding section, “Valves for Pressure Relief Functions”) the unloading relief function provides the means of automatically loading/unloading a fixed delivery pump according to system demands.

The high pressure side of the hydraulic system is connected, via port X, to a small piston fitted in front of the poppet of the pilot relief stage in the unloader cover. When system pressure on port A reaches the pressure setting of the pilot stage, the valve, acting as a relief valve, starts to open. The pressure drop created by the pilot flow through the orifices (in the main poppet and the cover) is seen across the ends of the pilot piston, causing the piston to quickly move up and hold the pilot relief poppet off its seat. Full pilot flow at low pressure then creates sufficient pressure to fully lift the main poppet to open the mainstream flow path from A to B.

The valve remains in this condition until the reference pressure at port X drops to approximately 80% of the maximum, when the force of the pilot relief spring pushes the pilot piston back, allowing the pilot poppet to re-seat, bringing the system on-load again. Venting is controlled through port Z₁.

Design features providing smooth load/unload characteristics, with metering capability for partial unloading, together with stable operation are:

- Poppet is sliding spool type, with metering holes to give progressive opening.
- High gain pilot relief stage poppet.
- 20% differential pilot stage unloader piston.

Maximum Operating Pressure

350 bar (5000 psi)

Pressure Adjustment Range

3 to 125 bar (43 to 1800 psi)
5 to 250 bar (72 to 3600 psi)
8 to 350 bar (116 to 5000 psi)

Nominal Flow Rates

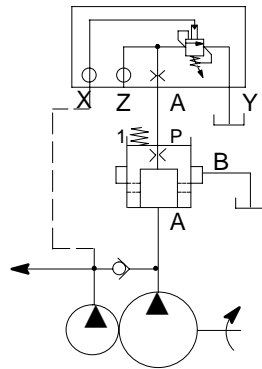
At 5 bar (72 psi) pressure drop with valve unloaded.

Nominal sizes ISO 7368 (DIN 24342)

06 (NG16) 165 L/min (45 USgpm)
08 (NG25) 300 L/min (80 USgpm)
09 (NG32) 420 L/min (110 USgpm)
10 (NG40) 750 L/min (200 USgpm)

Typical applications for unloader functions are:

1. Double pump systems, see Figure 28.



Note: Relief valve for high pressure pump omitted for clarity

Figure 28

2. Accumulator systems, see Figure 29, where one pump section (usually the smaller) is maintained on load against its own high pressure relief valve, and the other section off/on-loaded according to system demands.

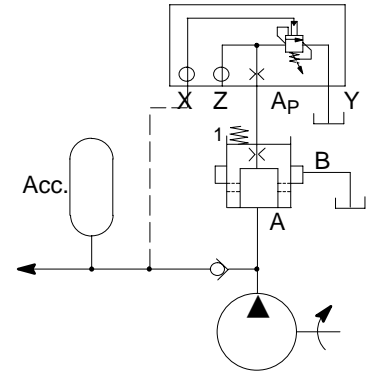


Figure 29

**Pressure Relief and Unloading:
Sizes 16 to 40**

Pilot connection A to Z₁ is needed to ensure the pressure relief function A to B.

Pump flow at port A can be unloaded by application of pilot pressure to port X. This pressure must be equal to the pressure setting of the unloader pilot stage to initiate unloading; the system pressurizes again when this pressure drops by approx. 20% or more.

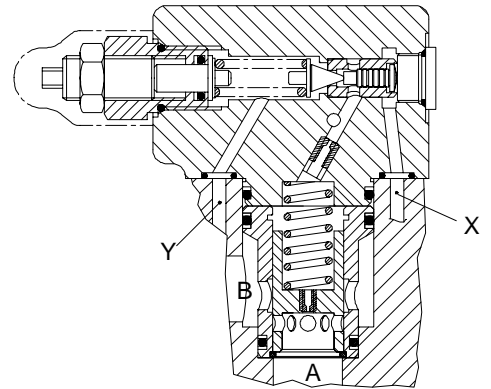
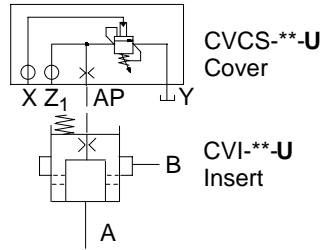


Figure 30

Area ratio
 $A_A:A_{AP} = 1:1$

**Pressure Relief and Unloading with
Electrical Selection of Venting:
Sizes 16 to 40**

When it is required to unload the system independently of the system demands, this can be achieved by using the cover types U1/U3 and selecting a suitable size 03 solenoid operated pilot valve. By using Vickers model type DG4V-3(S)-2AL for example, the system is unloaded when the solenoid is de-energized. When the solenoid is energized the unloader function operates (via pilot port X) as described above.

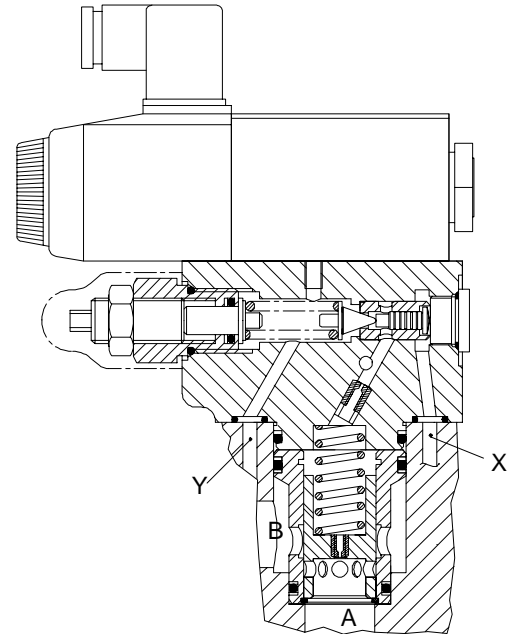
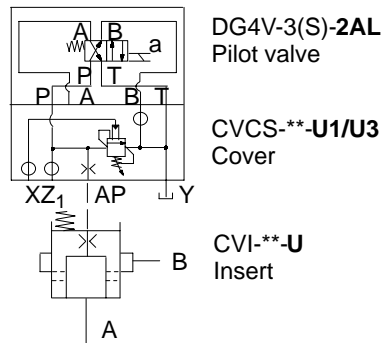


Figure 31

Area ratio
 $A_A:A_{AP} = 1:1$

Model Codes - Unloading/Relief Functions

CVCS Covers

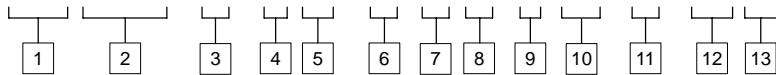
Vickers type "CVCS" cartridge covers featured in this catalog conform to installation requirements of ISO 7368 and DIN 24342.

All features must be specified when ordering; those in brackets () are optional or apply only to specific models.

Metric Models

Metric bolt tappings and orifice threads; BSPF plugs. Mounting bolts supplied.

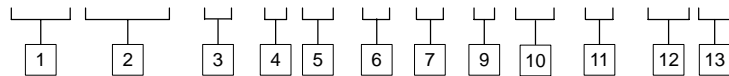
(F3-) CVCS - ** - U (3) - B 2 9 - * * - 1* (-*** **)**



Non-Metric Models

UNC bolt tappings; UNF orifice threads; SAE plugs; mounting bolts not supplied.

(F3-) CVCS - ** - U (1) - S 2 - * * - 1* (-*** **)**



1 Seal Material

F3 - Special seals. See "Fluids and Seals" on page 16.
Omit for standard seals.

2 Model

CVCS - Cartridge valve cover to ISO 7368

3 Nominal size to ISO 7368 (DIN 24342)

16 - 06 (NG16)
25 - 08 (NG25)
32 - 09 (NG32)
40 - 10 (NG40)

4 Function

U - Unloading relief
U* - Unloading relief with mounting face for size 03 pilot valve

* Code for optional threads, see 5.

5 Size 03 pilot valve mounting bolt tappings

1 - Inch threads
3 - Metric threads
Omit for type U

6 Plugs and orifice threads

B - G (BSPF) threads for closure plugs; metric threads for orifices
S - SAE threads for closure plugs; UNF threads for orifices

7 Seals

2 - Inch O-ring seals to ISO 3601

8 Mounting bolts

9 - Metric mounting bolts supplied

9 Adjuster mechanism

K - Micrometer adjuster with keylock
M - Micrometer adjuster without lock
W - Wrench adjustment with hex locknut

10 Adjustable pressure range

125 - 3-125 bar (44-1800 psi)
250 - 5-250 bar (73-3600 psi)
350 - 8-350 bar (116-5000 psi)

11 Design number, 1* series

Subject to change. Installation dimensions unchanged for design numbers 10 to 19 inclusive.

See page 124 for sizes of factory-fitted standard orifices. Other orifice sizes and locations can be fitted by special arrangement with your Vickers representative. Non-standard orifice requirements should be defined as follows:

12 Pilot control orifice location

Specify port location for non-standard orifice, e.g. "AP", followed by orifice size code, see 13. Repeat as necessary for further non-standard requirements.

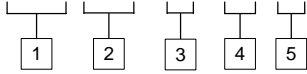
13 Orifice size

Specify non-standard orifice size code, see tables on page 125.

CVI Inserts

All features must be specified when ordering; those in brackets () are optional.

(F3-) CVI - ** - U -4*



1 Seal Material

F3 - Special seals. See “Fluids and Seals” on page 16.
Omit for standard seals.

2 Model

CVI - Cartridge valve insert

3 Nominal size to ISO 7368 (DIN 24342)

16 - 06 (NG16)

25 - 08 (NG25)

32 - 09 (NG32)

40 - 10 (NG40)

4 Function

U - 1:1 ratio unloading function, normally closed, sliding spool

5 Design number, 4* series

Subject to change. Installation dimensions unchanged for design numbers 40 to 49 inclusive.

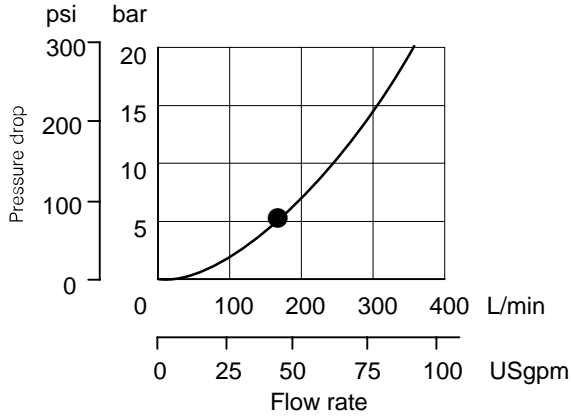
Note: A nameplate is supplied with each insert for fixing to the cover to identify the insert in use.

Performance Data - Unloading/Relief Functions

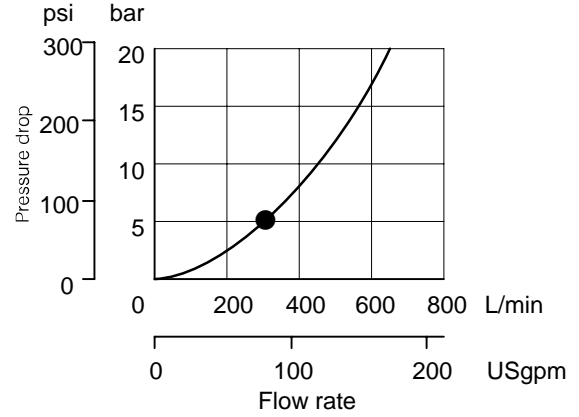
Pressure Drop/Flow Through Insert (Flow from Port A to B)

● = Rated flow point

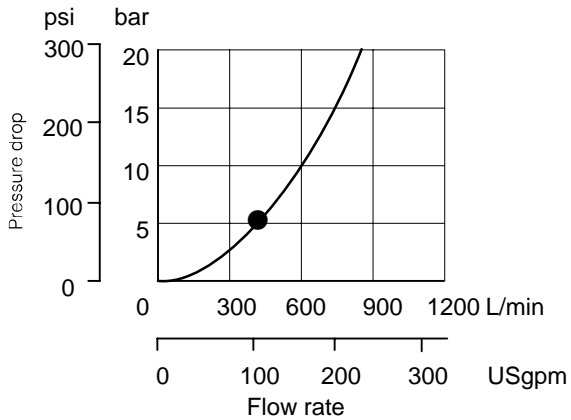
CVI-16-U-4*



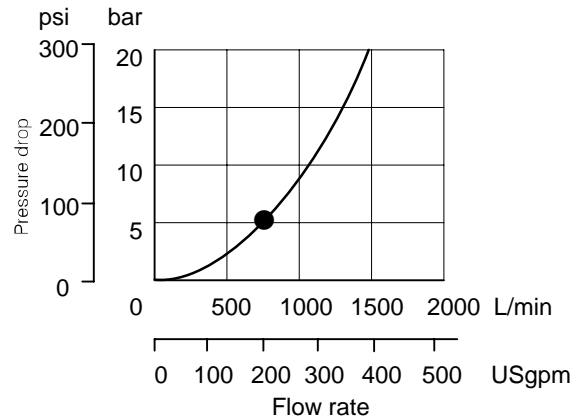
CVI-25-U-4*



CVI-32-U-4*

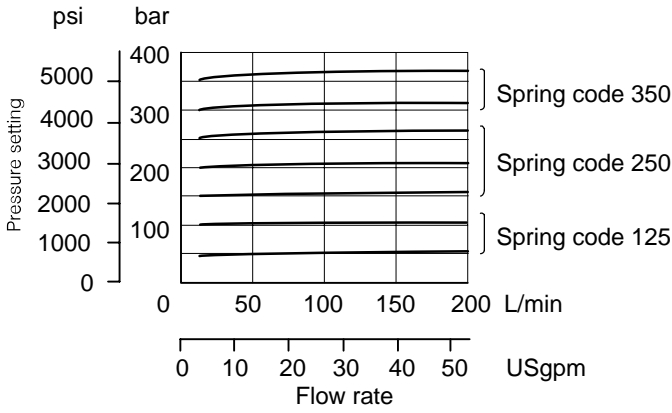


CVI-40-U-4*

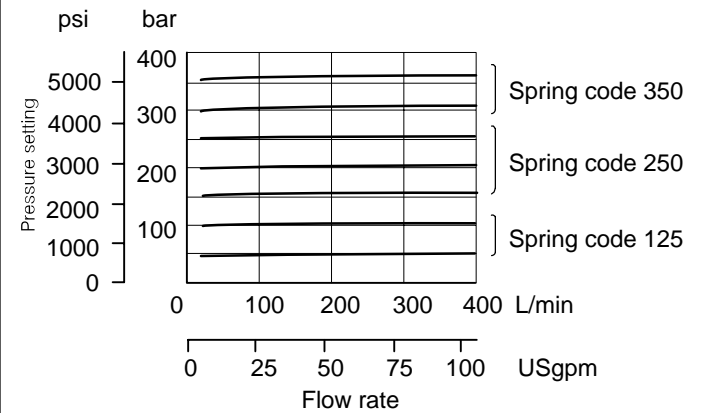


Pressure Override

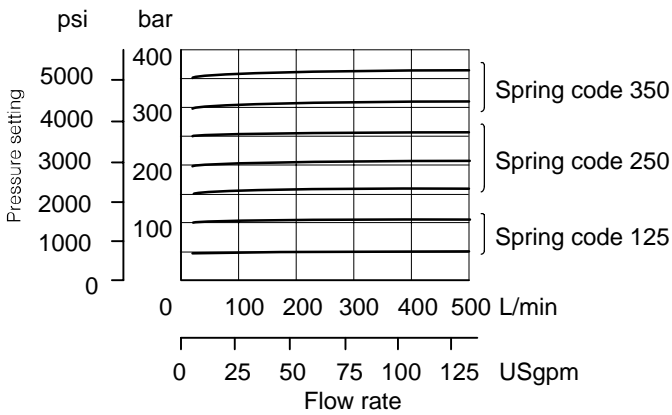
Cover CVCS-16-U-*2(9)-*-*-*-*1*
 Insert CVI-16-U-4*



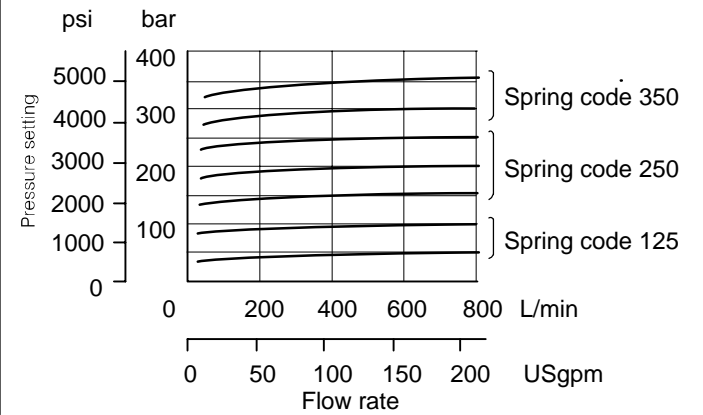
Cover CVCS-25-U-*2(9)-*-*-*-*1*
 Insert CVI-25-U-4*



Cover CVCS-32-U-*2(9)-*-*-*-*1*
 Insert CVI-32-U-4*

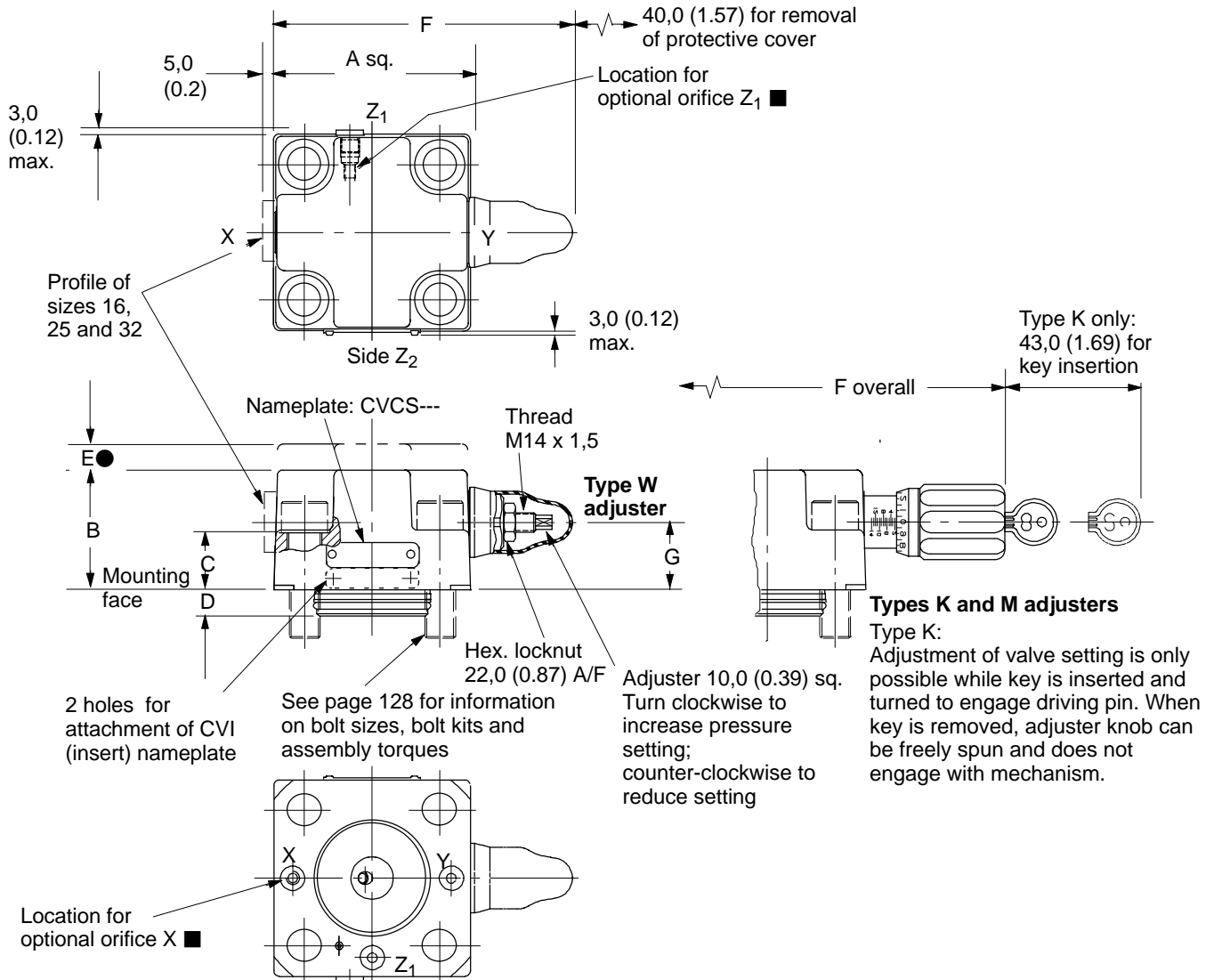
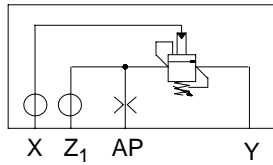
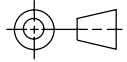


Cover CVCS-40-U-*2(9)-*-*-*-*1*
 Insert CVI-40-U-4*



Unloading/Relief Functions

CVCS--U**
 Sizes 16 to 40
 Dimensions
 mm (inch)



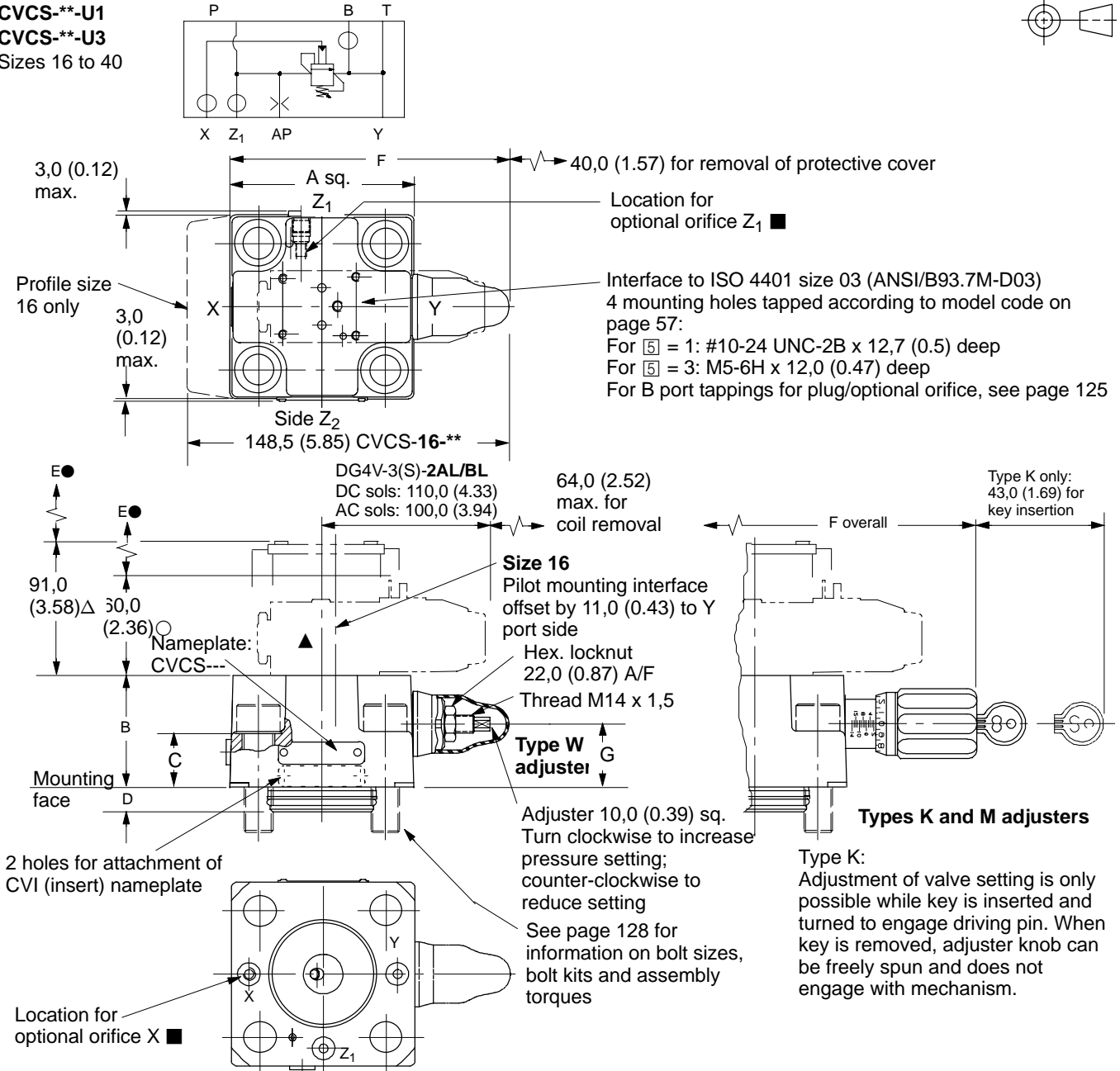
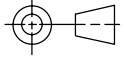
■ For thread sizes and orifice kits see page 124.

● Minimum clearance for removal of cover from manifold.

Size	A	B	C	D max. Tolerance -0,1 (0.004)	E	F max. for adjuster type: K & M W	G
16	65,0 (2.56)	46,0 (1.81)	36,0 (1.42)	8,0 (0.315)	12,0 (0.47)	178,0 (7.00) 148,5 (5.85)	26,0 (1.02)
25	85,0 (3.34)	51,0 (2.01)	25,0 (0.98)	10,5 (0.413)	22,0 (0.90)	168,5 (6.63) 148,5 (5.85)	26,0 (1.02)
32	102,5 (4.04)	62,0 (2.44)	30,0 (1.18)	13,0 (0.512)	31,0 (1.22)	171,7 (6.76) 154,4 (6.08)	35,0 (1.38)
40	125,5 (4.94)	61,0 (2.40)	35,0 (1.38)	15,0 (0.591)	33,0 (1.30)	- 179,0 (7.05)	34,0 (1.33)

Unloading/Relief Functions with Electrical Selection

CVCS-**-U1
CVCS-**-U3
Sizes 16 to 40



■ For thread sizes and orifice kits see page 124.

● Minimum clearance for removal of cover from manifold.

▲ Size 03 pilot control valve to be ordered separately. Recommended model Vickers DG4V-3(S), see GB-C-2015.

○ DG4V-3(S) with coil type U.
Δ DG4V-3(S) with coil type F and terminal box.

Size	A	B	C	D max. Tolerance -0,1 (0.004)	E	F max. for adjuster type: K & M W	G
16	65,0 (2.56)	48,0 (1.89)	26,0 (1.02)	8,0 (0.315)	12,0 (0.47)	178,0 (7.00) See dwg.	26,0 (1.02)
25	85,0 (3.34)	48,0 (1.89)	26,0 (1.02)	10,5 (0.413)	22,0 (0.90)	168,5 (6.63) 148,5 (5.85)	26,0 (1.02)
32	101,8 (4.01)	60,0 (2.36)	35,0 (1.38)	13,0 (0.512)	31,0 (1.22)	171,7 (6.76) 154,4 (6.08)	35,0 (1.38)
40	124,5 (4.90)	58,0 (2.28)	34,0 (1.33)	15,0 (0.591)	33,0 (1.30)	- 179,0 (7.05)	34,0 (1.33)

Pressure Reducing Functions

General Information

The basic pressure reducing cartridge features manual adjustment of reduced pressure plus a pilot port for optional remote control. Additional options include electrical selection of high and low pressure, and electrohydraulic proportional control of reduced pressure.

Reducing valve arrangements described in this catalog can be built into system manifold assemblies with directional, manually adjustable flow restrictor and pressure relief functions in cartridge form. The reducing function is available in sizes 16, 25, 32 and 40.

Ratings

Maximum operating pressure	350 bar (5000 psi)
Rated flow	($\Delta p = 12 \text{ bar} / 175 \text{ psi}$):
Size 16	145 L/min (38 USgpm)
Size 25	350 L/min (92 USgpm)
Size 32	510 L/min (135 USgpm)
Size 40	800 L/min (210 USgpm)
Pressure adjustment ranges:	
1,5 to 125 bar	(22 to 1800 psi)
3,0 to 250 bar	(44 to 3600 psi)
5,0 to 350 bar	(72 to 5000 psi)

All ports are rated up to 350 bar (5000 psi), depending on limits for relevant ports in any associated pilot valves or modules. Note that any pressure in port Y is additive to the setting(s) of the integral pilot pressure control(s).

Pressure Reducing Functions

Unlike other cartridge valve inserts, the reducer insert contains a spool rather than a poppet. Therefore, no reference is made to an area ratio in relation to reducing valves. The reducing valve is normally *closed*. It varies flow to provide a constant outlet pressure below that of the inlet pressure. The pressure differential between inlet and outlet must be at least 5 bar (72 psi) for optimum reduced pressure control for low flows.

System pressure at B is communicated through a compensated flow control in the X or X1/X3 cover into area AP. This flow control maintains a constant flow across the cover poppet, independent of the main flow from B(P1) to A(P2), thereby providing pressure stability at all system flow rates. Load pressure

transients are relieved through the check valve located in the insert spool and are limited by the pilot pressure control in the cover.

The Z₁ port is used for remote control of the reduced pressure. Suitable remote controls are the C-175 and CGR-02. Venting of the Z₁ port will cause outlet pressure A(P2) to drop to a minimum pressure related to the spring load in the insert spool. The Z₁ port should be blocked when not required. The Y port is used to drain the pilot oil.

Dual reduced pressure functions are available using the model X1/X3 cover and CVGC-3 module. The X1/X3 cover has a mounting pad with an ISO 4401, size 03 (ANSI/B93.7M-D03) interface that accepts pilot valve DG4V-3(S)-2AL (two-position, spring offset type) or DG4V-3(S)-2N (two-position mechanical detent type). For information on the DG4V-3(S) valve, see GB-C-2015. Air operated DG18V-3 or DG17V-3 manually operated pilots are also applicable. An electrically modulated proportional pilot is available that can provide infinitely variable reduced pressure settings and a vent condition.

Pressure Reducing with Manual Adjustment and Remote Control: Sizes 16 to 40

Reduced pressure at A(P2) is controlled by the manual adjuster in the cover. Pilot port Z₁ is used for remote control. See Figure 32.

■ This X port orifice/plug tapping not on size 16.

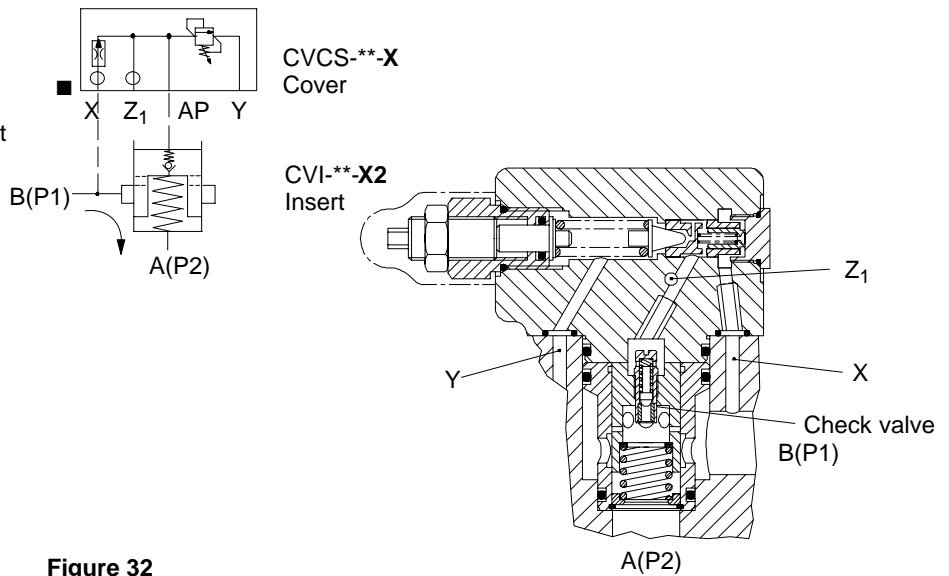


Figure 32

**Dual Level Reduced Pressure by Remote Electrical Selection:
Sizes 16 to 40**

Alternative arrangements using either the DG4V-3(S)-2AL (two-position, single solenoid, spring-offset) or DG4V-3(S)-2N (double solenoid, two-position detented) pilot valve are shown in Figure 33. Control is at the X1/X3 cover when the DG4V-3(S)-2AL is de-energized or the DG4V-3(S)-2N "b" solenoid is momentarily energized. Control is at the CVGC-3 module, sandwiched between the cover and pilot valve, when the DG4V-3(S)-2AL solenoid "a" is energized or solenoid "a" of the DG4V-3(S)-2N is energized. In each case, the pressure set at the X1/X3 cover should be the higher of the two levels.

■ This X port orifice/plug tapping not on size 16.

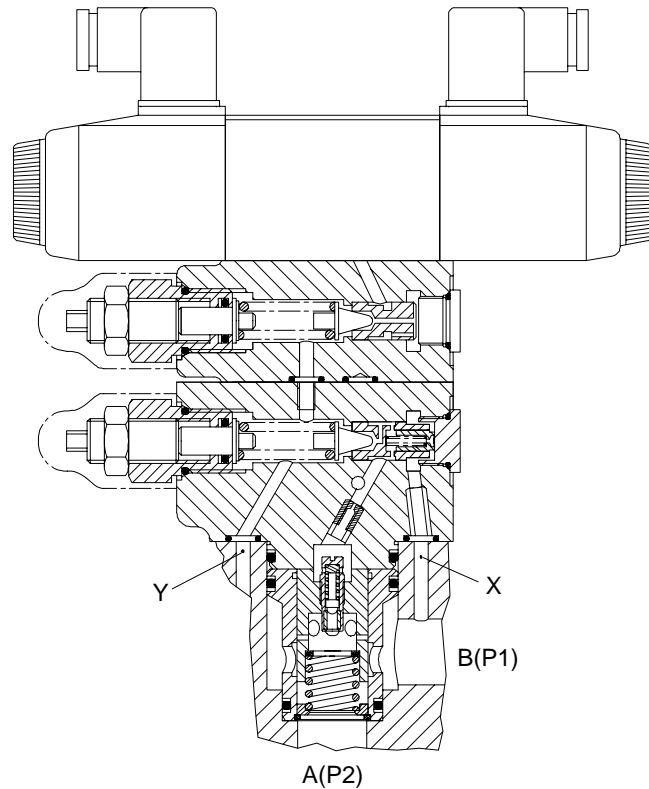
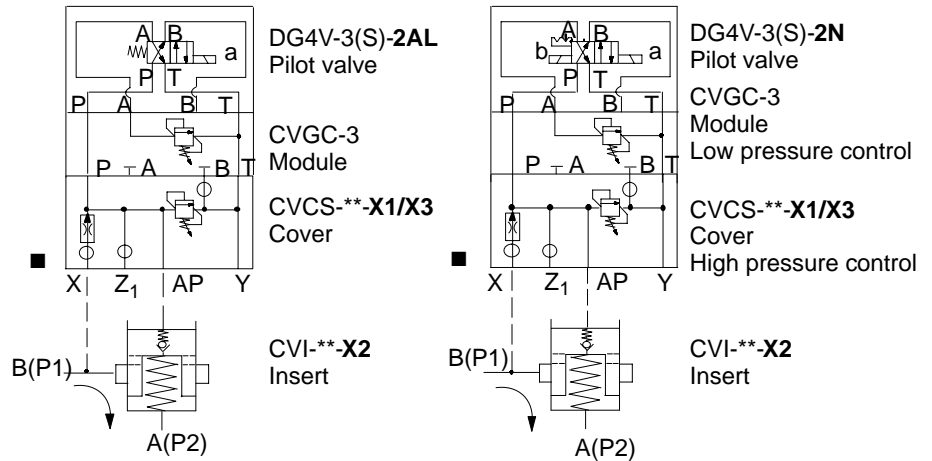


Figure 33

Pressure Reducing Function by Electrohydraulic Proportional Control: Sizes 16 to 40

The electrically modulated pilot controls pressure below the maximum manually set level at the X1/X3 cover. Reduced pressure is proportional to the applied current. Increasing current to the pilot increases the reduced pressure at port A(P2). See Figure 34.

The pilot valve can be any of those charted below, depending on the working pressure involved. Electronic controllers to be used with the pilots are also shown.

For precise KCG-3 configuration according to pressure range and size of cover being used, please refer to page 73.

Pilot valve	Maximum reduced pressure	Pilot valve catalog	Electronic controller
KCG-3	350 bar (5000 psi)	2162	EEA-PAM-513-A- ^{**}
EHST-3	210 bar (3000 psi)	441	Integral
KCG-3---EN46	350 bar (5000 psi)	2162	UNIPLUG

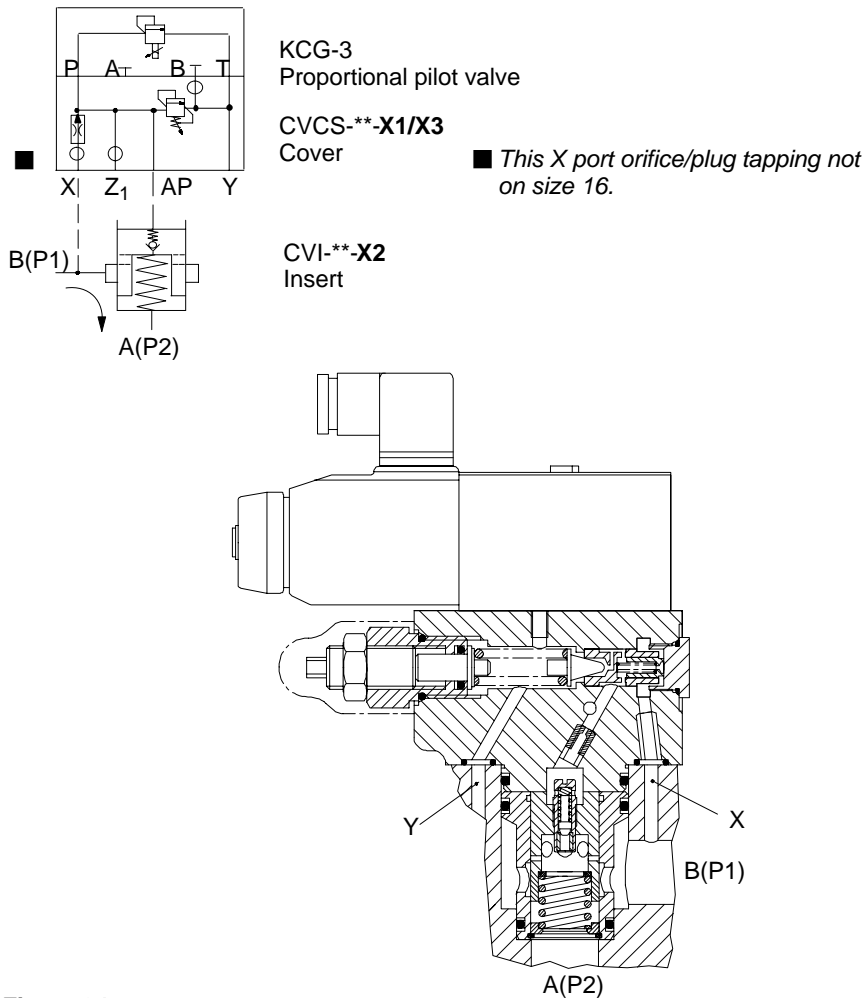


Figure 34

Model Codes - Pressure Reducing Functions

CVCS Covers

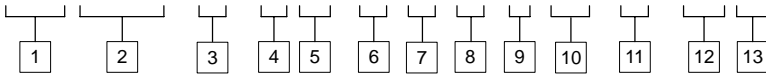
Vickers type “CVCS” cartridge covers featured in this catalog conform to installation requirements of ISO 7368 and DIN 24342.

All features must be specified when ordering; those in brackets () are optional or apply only to specific models.

Metric Models

Metric bolt tappings and orifice threads; BSPF plugs. Mounting bolts supplied.

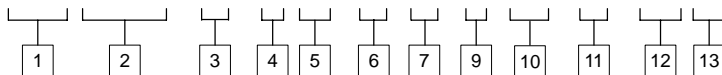
(F3-) CVCS - ** - X (3) - B 2 9 - * * - 1* (-*** **)**



Non-Metric Models

UNC bolt tappings; UNF orifice threads; SAE plugs; mounting bolts not supplied.

(F3-) CVCS - ** - X (1) - S 2 - * * - 1* (-*** **)**



1 Seal Material

F3 - Special seals. See “Fluids and Seals” on page 16.
Omit for standard seals.

2 Model

CVCS - Cartridge valve cover to ISO 7368

3 Nominal size to ISO 7368 (DIN 24342)

16 - 06 (NG16)
25 - 08 (NG25)
32 - 09 (NG32)
40 - 10 (NG40)

4 Function

X - Pressure reducing
X* - Pressure reducing with mounting face for size 03 pilot valve

* Code for optional threads, see 5.

5 Size 03 pilot valve mounting bolt tappings

1 - Inch threads
3 - Metric threads
Omit for type X

6 Plugs and orifice threads

B - G (BSPF) threads for closure plugs; metric threads for orifices
S - SAE threads for closure plugs; UNF threads for orifices

7 Seals

2 - Inch O-ring seals to ISO 3601

8 Mounting bolts

9 - Metric mounting bolts supplied

9 Adjuster mechanism

K - Micrometer adjuster with keylock
M - Micrometer adjuster without lock
W - Wrench adjustment with hex locknut

10 Adjustable pressure range

125 - 1,5-125 bar (22-1800 psi)
250 - 3-250 bar (44-3600 psi)
350 - 5-350 bar (73-5000 psi)

For proportional control ranges, see page 73.

11 Design number, 1* series

Subject to change. Installation dimensions unchanged for design numbers 10 to 19 inclusive.

See page 124 for sizes of factory-fitted standard orifices. Other orifice sizes and locations can be fitted by special arrangement with your Vickers representative. Non-standard orifice requirements should be defined as follows:

12 Pilot control orifice location

Specify port location for non-standard orifice, e.g. “AP”, followed by orifice size code, see 13. Repeat as necessary for further non-standard requirements.

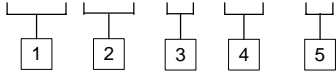
13 Orifice size

Specify non-standard orifice size code, see tables on page 125.

CVI Inserts

All features must be specified when ordering; those in brackets () are optional.

(F3-) CVI - ** - X2 - 4*



1 Seal Material

F3 - Special seals. See "Fluids and Seals" on page 16.
Omit for standard seals.

2 Model

CVI - Cartridge valve insert

3 Nominal size to ISO 7368 (DIN 24342)

16 - 06 (NG16)
25 - 08 (NG25)
32 - 09 (NG32)
40 - 10 (NG40)

4 Function

X2 - Pressure reducer, normally closed, sliding spool

5 Design number, 4* series

Subject to change. Installation dimensions unchanged for design numbers 40 to 49 inclusive.

Note: A nameplate is supplied with each insert for fixing to the cover to identify the insert in use.

Performance Data - Pressure Reducing Functions

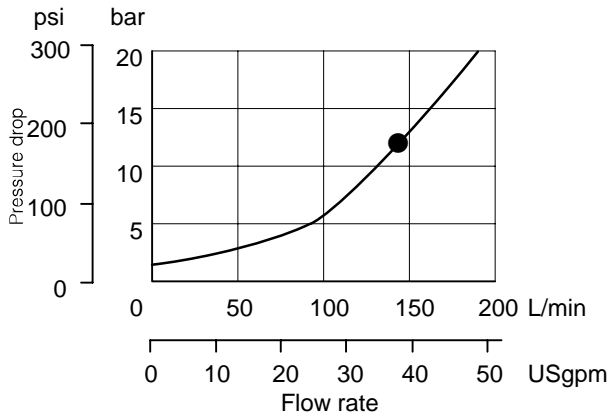
Unless otherwise stated, performances are based on petroleum oil at 36 cSt (168 SUS) and at 50°C (122°F). For pressure drops at other viscosities, see page 127.

Pressure Drop/Flow (Flow from Port B to A)

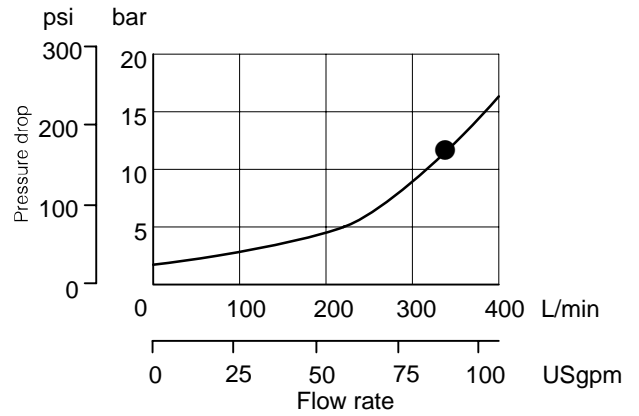
Inlet pressure B(P1) = 350 bar (5000 psi)

● = Rated flow point

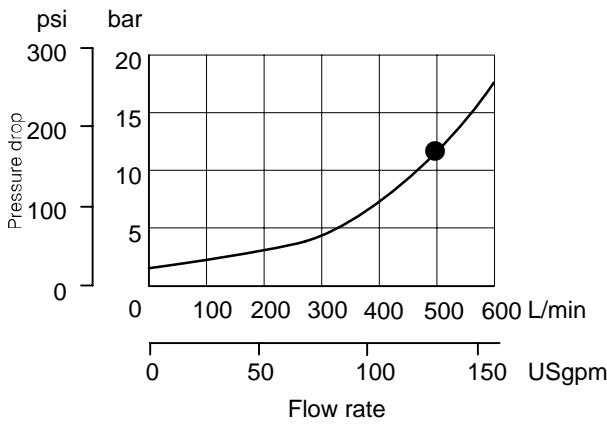
Cover CVCS-16-X*-2(9)-*-***-1*
Insert CVI-16-X2-4*



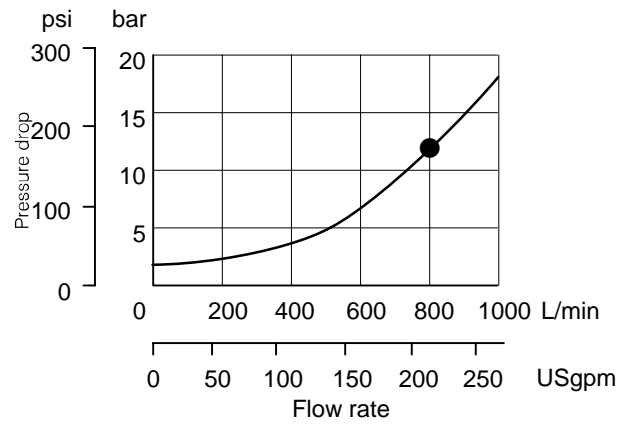
Cover CVCS-25-X*-2(9)-*-***-1*
Insert CVI-25-X2-4*



Cover CVCS-32-X*-2(9)-*-***-1*
Insert CVI-32-X2-4*

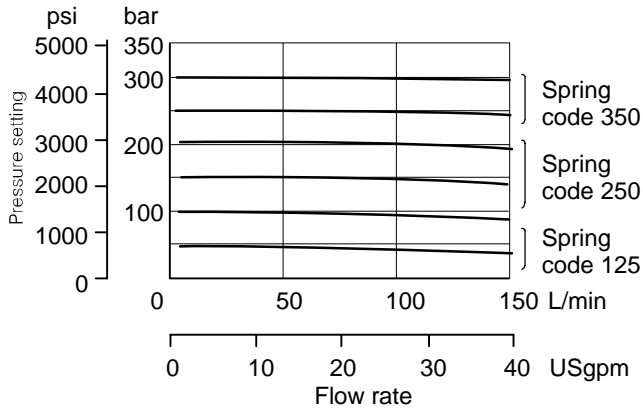


Cover CVCS-40-X*-2(9)-*-***-1*
Insert CVI-40-X2-4*

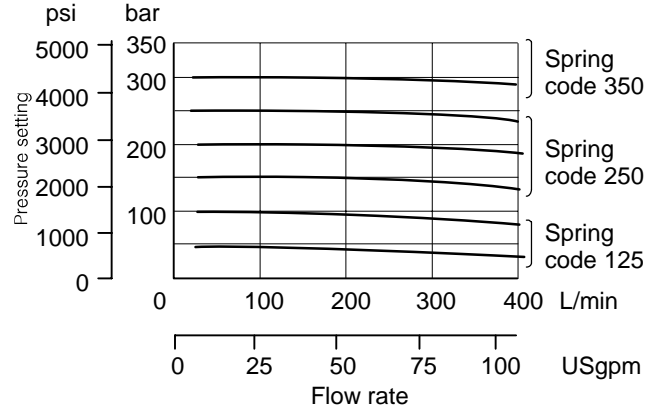


Pressure Override

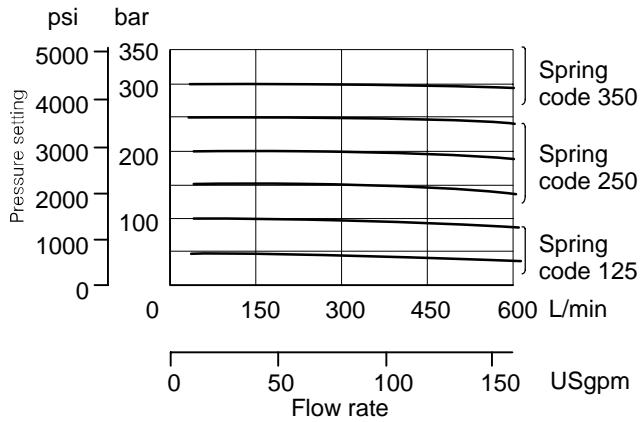
Cover CVCS-16-X-*2(9)-*-*-*-1*
 Insert CVI-16-X2-4*



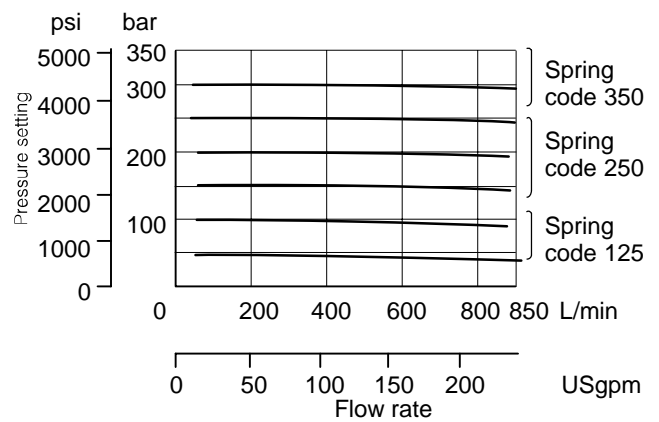
Cover CVCS-25-X-*2(9)-*-*-*-1*
 Insert CVI-25-X2-4*



Cover CVCS-32-X-*2(9)-*-*-*-1*
 Insert CVI-32-X2-4*

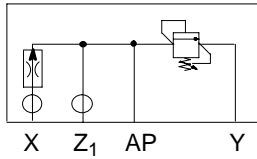


Cover CVCS-40-X-*2(9)-*-*-*-1*
 Insert CVI-40-X2-4*

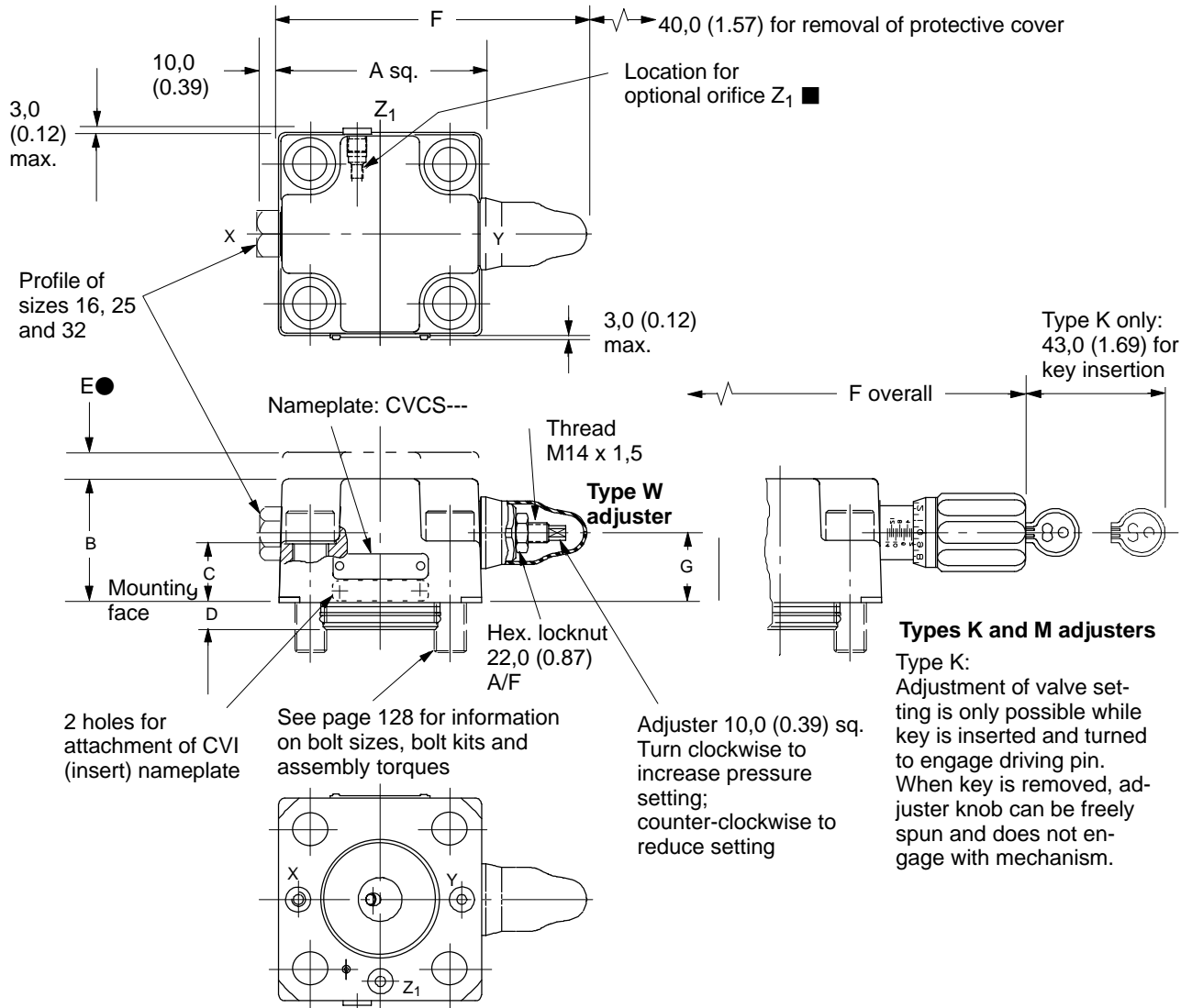
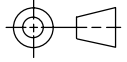


Pressure Reducing Functions

CVCS--X**
 Sizes 16 to 40
 Dimensions
 mm (inch)



Note: Size 16 does not have X port orifice/plug tapping.

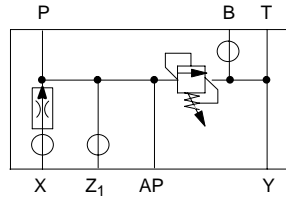


- For thread sizes and orifice kits see page 124.
- Minimum clearance for removal of cover from manifold.

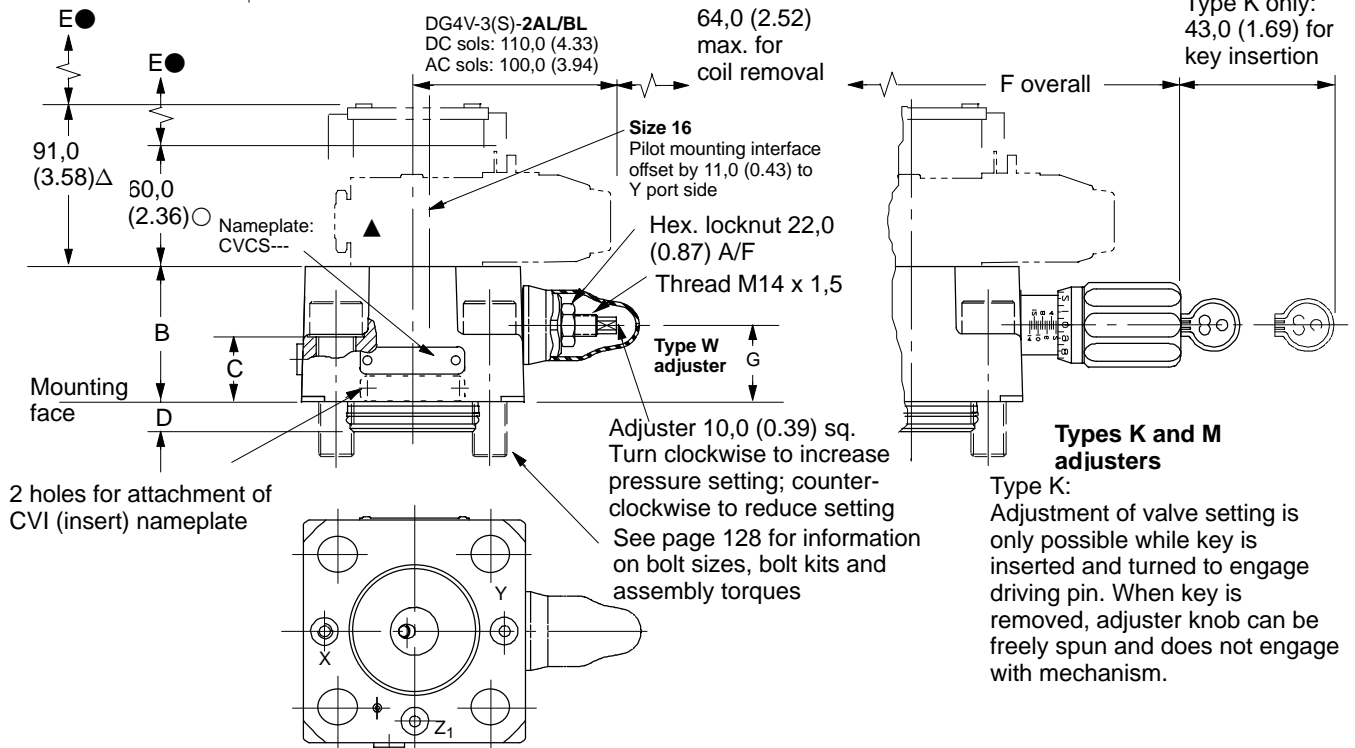
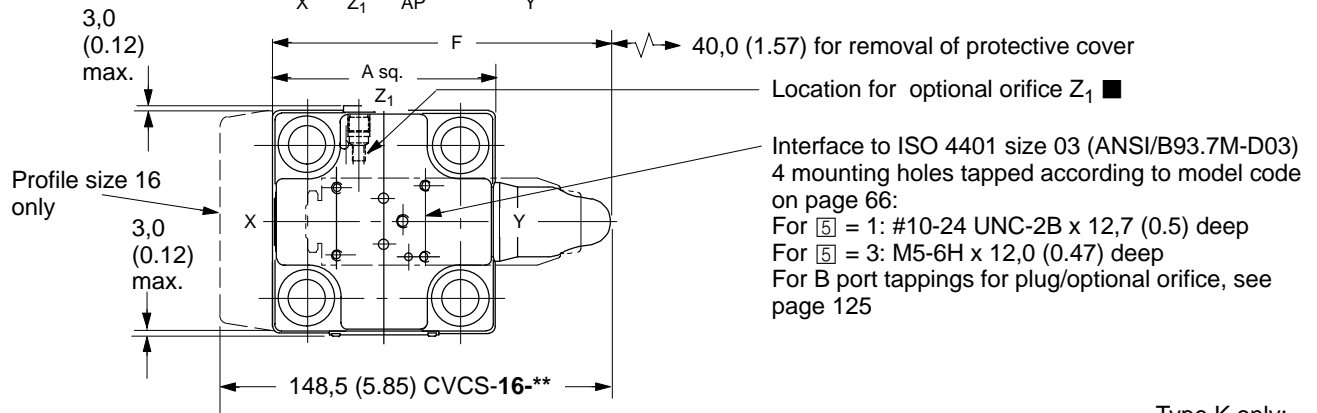
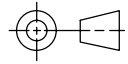
Size	A	B	C	D max. Tolerance -0,1 (0.004)	E	F max. for adjuster type:		G
						K & M	W	
16	65,0 (2.56)	46,0 (1.81)	36,0 (1.42)	8,0 (0.315)	12,0 (0.47)	178,0 (7.00)	148,5 (5.85)	26,0 (1.02)
25	85,0 (3.34)	51,0 (2.01)	25,0 (0.98)	10,5 (0.413)	22,0 (0.90)	168,5 (6.63)	148,5 (5.85)	26,0 (1.02)
32	102,5 (4.04)	62,0 (2.44)	30,0 (1.18)	13,0 (0.512)	31,0 (1.22)	171,7 (6.76)	154,4 (6.08)	35,0 (1.38)
40	125,5 (4.94)	61,0 (2.40)	35,0 (1.38)	15,0 (0.591)	33,0 (1.30)	—	179,0 (7.05)	34,0 (1.33)

Dual Level Reduced Pressure Functions w/ Electrical Selection

CVCS-**-X1
CVCS-**-X3
Sizes 16 to 40



Note: Size 16 does not have orifice/plug tapings in B & X ports.



- For thread sizes and orifice kits see page 124.
- Minimum clearance for removal of cover from manifold.

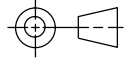
▲ Size 03 pilot control valve to be ordered separately. Recommended model Vickers DG4V-3(S), see GB-C-2015.

- DG4V-3(S) with coil type U.
- Δ DG4V-3(S) with coil type F and terminal box.

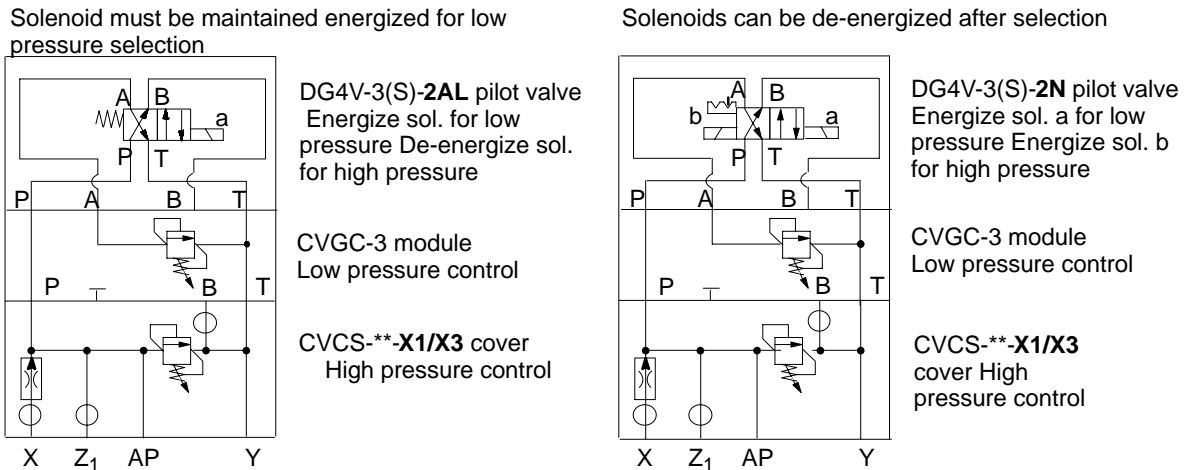
Size	A	B	C	D max. Tolerance -0,1 (0.004)	E	F max. for adjuster type: K & M W	G
16	65,0 (2.56)	48,0 (1.89)	26,0 (1.02)	8,0 (0.315)	12,0 (0.47)	178,0 (7.00) See dwg.	26,0 (1.02)
25	85,0 (3.34)	48,0 (1.89)	26,0 (1.02)	10,5 (0.413)	22,0 (0.90)	168,5 (6.63) 148,5 (5.85)	26,0 (1.02)
32	101,8 (4.01)	60,0 (2.36)	35,0 (1.38)	13,0 (0.512)	31,0 (1.22)	171,7 (6.76) 154,4 (6.08)	35,0 (1.38)
40	124,5 (4.90)	58,0 (2.28)	34,0 (1.33)	15,0 (0.591)	33,0 (1.30)	- 179,0 (7.05)	34,0 (1.33)

Dual Pressure Reducing with Electrical Selection

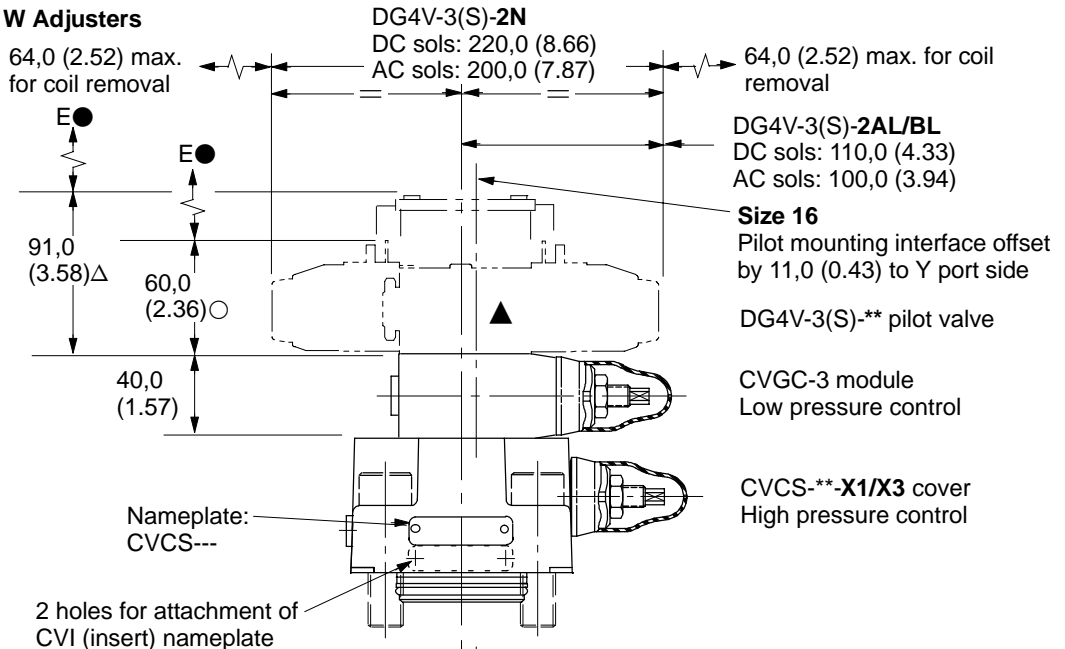
For dimensions of CVCS-**-X1/X3 covers, and adjustment types, see previous page.



For dimensions of CVGC-3 module see page ,123 and for adjustment types see page 40.



Arrangement With Type W Adjusters



Arrangement With Types K and M Adjusters

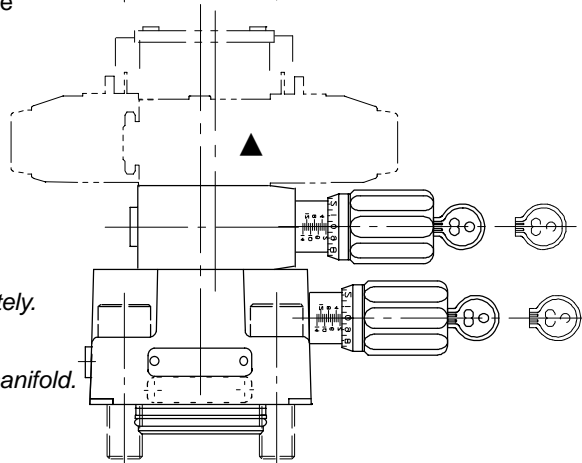
Type K:
Adjustment of valve setting is only possible while key is inserted and turned to engage driving pin. When key is removed, adjuster knob can be freely spun and does not engage with mechanism.

▲ **Size 03 pilot control valve to be ordered separately.**
Recommended model Vickers DG4V-3(S), see GB-C-2015.

● **Minimum clearance for removal of cover from manifold.**
See table on previous page.

○ **DG4V-3(S) with coil type U.**

△ **DG4V-3(S) with coil type F and terminal box.**



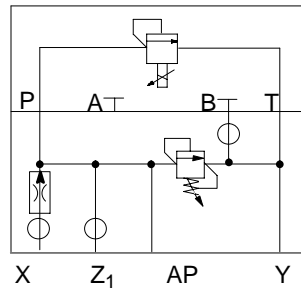
Pressure Reducing Function with Electrohydraulic Proportional Control/KCG-3 Pilot

For dimensions of CVCS-**-X1/X3 covers, and adjustment types, see page 71.

CVCS-**-X1/X3 Cover with KCG-3 Pilot Valve

For proportional pressure reducing valves using standard CVCS-**-X1/X3 covers, the correct KCG-3 proportional pilot valve should be selected from the following table according to the size and pressure range being used. The sizing and combination of orifices fitted into these pilot valves have been determined by testing to give good response and stable operation across a wide range of average system parameters using standard covers (i.e. with standard sizes of factory fitted orifices – see page 124).

Other orifice combinations can be provided to meet individual requirements of customer installations. Please contact your Vickers representative.

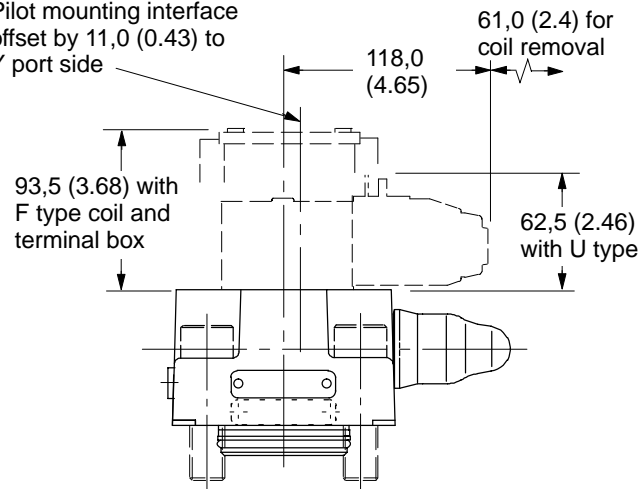



KCG-3 Proportional pilot valve

CVCS-**-X1/X3 Cover

Size 16

Pilot mounting interface offset by 11,0 (0.43) to Y port side



Size	Pressure control range bar (psi)	Cover max. pressure code, see CVCS model code  , page 66	Pilot valve model code For KCG models add required coil connection and rating (See GB-C-2162 for full model code details of KCG-3)
16	5-40 (72-580)	125	KCG-3-40-D-Z-M---10 (standard)
	6-100 (87-1450)	125	KCG-3-100-D-Z-M---10 (standard)
	8-160 (116-2320)	250	KCG-3-160-D-Z-M---10-P15-T12
	10-250 (145-3625)	250	KCG-3-250-D-Z-M---10-T09
	12-350 (174-5075)	350	KCG-3-350-D-Z-M---10-T09
25	5-40 (72-580)	125	KCG-3-40-D-Z-M---10 (standard)
	6-100 (87-1450)	125	KCG-3-100-D-Z-M---10 (standard)
	8-160 (116-2320)	250	KCG-3-160-D-Z-M---10-T11
	10-250 (145-3625)	250	KCG-3-250-D-Z-M---10-P10L-T12
	12-350 (174-5075)	350	KCG-3-350-D-Z-M---10-P10L-T12
32	5-40 (72-580)	125	KCG-3-40-D-Z-M---10 (standard)
	6-100 (87-1450)	125	KCG-3-100-D-Z-M---10-P18-T18
	8-160 (116-2320)	250	KCG-3-160-D-Z-M---10-P18-T18
	10-250 (145-3625)	250	KCG-3-250-D-Z-M---10-P15-T12
	12-350 (174-5075)	350	KCG-3-350-D-Z-M---10-P15-T12
40	5-40 (72-580)	125	KCG-3-40-D-Z-M---10 (standard)
	6-100 (87-1450)	125	KCG-3-100-D-Z-M---10 (standard)
	8-160 (116-2320)	250	KCG-3-160-D-Z-M---10 (standard)
	10-250 (145-3625)	250	KCG-3-250-D-Z-M---10 (standard)
	12-350 (174-5075)	350	KCG-3-350-D-Z-M---10 (standard)

Dynamic Functions

General Information

Dynamic cartridge valves have been developed for applications which require fast opening and closing times as well as a means of ensuring that the insert/poppet has seated positively. Inserts are available:

- With seals on the poppet which eliminate internal leakage, ensuring pressure is maintained in pilot port A.
- Without spool seals for fast response with low hysteresis.

Dynamic valves can be built into any system manifold assemblies which require the features offered by this new range, whether for directional or check control function. The inserts are offered with the three springs L, M and H, and the cover comes with or without a stroke limiter. Dynamic range is available in sizes 16 to 63.

The inserts have an area ratio of 1:1.05 as seen by the model code CVI-**-ZD105, where Z means dynamic.

Dynamic Functions

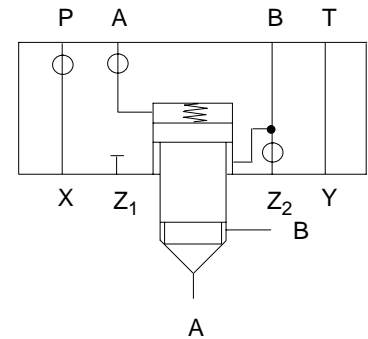
Unlike other cartridge valve inserts, the dynamic insert extends above the manifold to allow access to the pilot port. It is this pilot port which pilots the poppet open or closed giving the dynamic feature. The pilot pressure is applied via the Z₂ port on the manifold if there is no pilot valve or via the B port on the size 03 interface.

Piloting can be achieved by directly mounting a size 03 directional valve on the mounting pad with an ISO 4401, size 03 (ANSI/B93.7M-D03) interface which accepts any of the DG4V-3(S) valves. The Z₂ port is used for remote control of the dynamic insert.

The dynamic insert can only be used with the special dynamic cover. The cover can also be offered with a stroke limiter for those applications where it is required to limit the stroke and hence the flow of the relevant insert. Dynamic function is suited for directional or check control functions requiring fast response.

Functional Symbols

Cover CVCS-**-ZD*-2*-1*
Insert CVI-**-ZD(N)105*-1*



Cover CVCS-**-ZDA*-2*-1*
Insert CVI-**-ZD(N)105*-1*

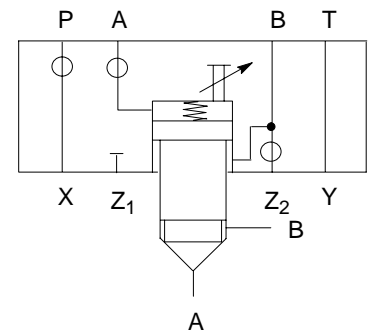


Figure 35

Basic Characteristics

Maximum operating pressure 350 bar (5000 psi)

Maximum flow rate ($\Delta p = 5 \text{ bar}/72 \text{ psi}$):

ISO 7368

(DIN 24342)

	A to B	B to A
06 (NG16)	230 L/min (61 USgpm)	200 L/min (53 USgpm)
08 (NG25)	550 L/min (145 USgpm)	475 L/min (125 USgpm)
09 (NG32)	850 L/min (225 USgpm)	740 L/min (195 USgpm)
10 (NG40)	1200 L/min (317 USgpm)	1040 L/min (275 USgpm)
11 (NG50)	1800 L/min (476 USgpm)	1560 L/min (412 USgpm)
12 (NG63)	3000 L/min (793 USgpm)	2600 L/min (687 USgpm)

All ports are rated up to 350 bar (5000 psi) depending on limits for relevant ports in any associated pilot valves or modules.

Features and Benefits

- Opening and closing independent of A and B port pressure.
- Positive closing using pilot pressure.
- High degree of control and repeatability.
- Smooth and accurate operation can be achieved (not affected by main flow).
- Fully interchangeable with conventional cartridges.
- Varied circuit application uses: pilot operated check, prefill valve, decompression valve, flow control valve, etc.
- Zero internal pilot leakage option: ZD105.
- Low hysteresis, fast response option: ZDN105.

Cover CVCS-**-ZD*-2(9)-1*
Insert CVI-**-ZD(N)105-*-1*

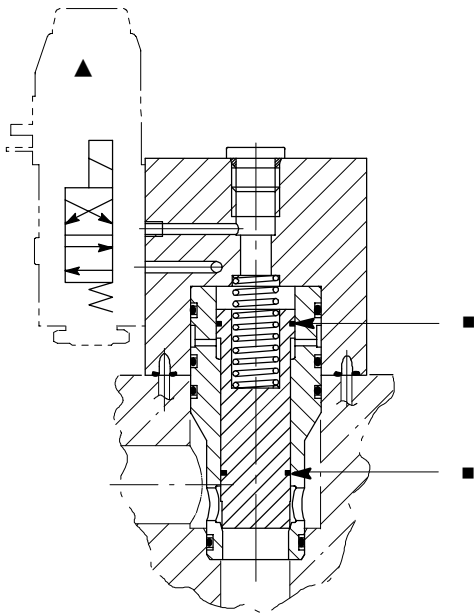


Figure 36

Cover CVCS-**-ZDA*-2(9)-*-1*
Insert CVI-**-ZD(N)105-*-1*

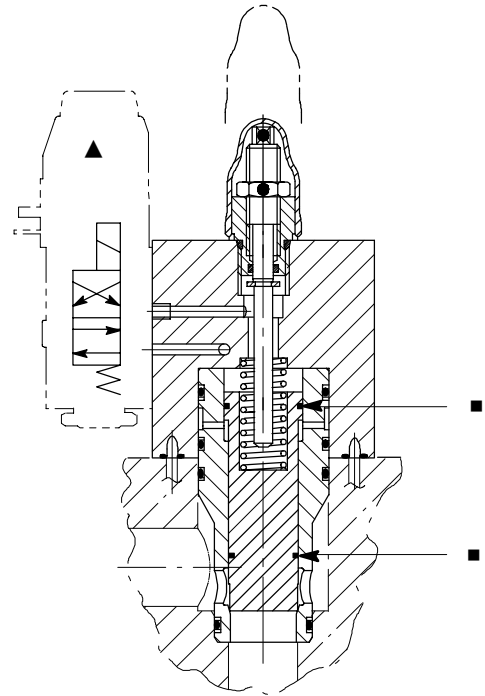


Figure 37

- ▲ Size 03 pilot control valve to be ordered separately.
Recommended model Vickers DG4V-3(S), see GB-C-2015.
- For fast response model CVI-**-ZDN105--- these seals are omitted.

Maximum Leakage

Seat leakage A to B port when spool is held closed.

Size	Max. leakage at 100 bar (1450 psi) cm ³ /min (in ³ /min)
16	0,15 (0.009)
25	0,20 (0.012)
32	0,28 (0.017)
40	0,35 (0.021)
50	0,40 (0.024)
63	0,55 (0.033)

With spool seals omitted (ZDN105) leakage between spring, pilot chambers and B port is as follows.

Size	Max. leakage at 350 bar (5000 psi) cm ³ /min (in ³ /min):	
	AP to BP, or BP to AP	BP to B, or B to BP
16	650 (40)	30 (1.83)
25	700 (43)	40 (2.44)
32	800 (49)	50 (3.05)
40	1400 (86)	60 (3.64)
50	1700 (104)	80 (4.86)
63	2000 (122)	90 (5.46)

With spool seals fitted (ZD105) there is no leakage between AP and BP, or between BP and B.

Area ratio $A_A : A_B : A_{BP} : A_{AP}$

Size 16	1	: 0.05	: 0.40	: 1.45
Sizes 25-63	1	: 0.05	: 0.30	: 1.35

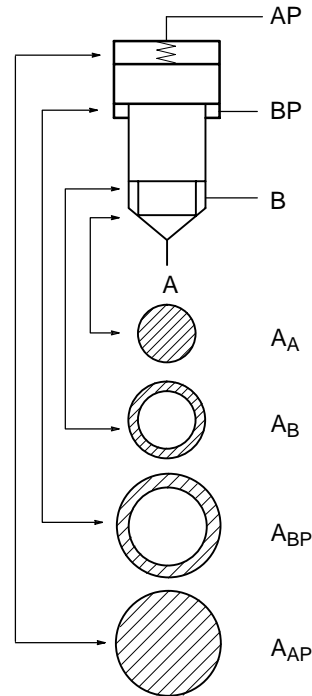


Figure 38

Areas and Strokes

Valve size	Area mm ² (in ²)				Stroke mm (in)
	A_A	A_B	A_{BP}	A_{AP}	
16 (06)	203,58 (0.3155)	9,92 (0.154)	78,17 (0.1212)	291,67 (0.4521)	8,00 (0.315)
25 (08)	467,59 (0.7248)	22,79 (0.0353)	141,80 (0.2198)	632,18 (0.9799)	9,00 (0.354)
32 (09)	764,54 (1.1850)	39,06 (0.0605)	229,66 (0.3560)	1033,26 (1.6016)	11,00 (0.433)
40 (10)	1256,64 (1.9478)	62,78 (0.0973)	376,25 (0.5832)	1695,67 (2.6283)	14,50 (0.571)
50 (11)	2022,84 (3.1354)	99,57 (0.1543)	608,32 (0.9429)	2730,73 (4.2326)	19,00 (0.748)
63 (12)	3257,33 (5.0489)	162,21 (0.2514)	970,68 (1.5046)	4390,22 (6.8049)	25,00 (0.984)

Calculation of Pilot Flow Rate for Given Response Time, t secs:

1. Metric Units

$$\text{Flow rate AP} = \frac{\text{Area } A_{AP}, \text{ mm}^2}{100} \times \frac{\text{Stroke, mm}}{10} \times \frac{60}{t} = \text{cm}^3/\text{min}$$

$$\text{Flow rate BP} = \frac{\text{Area } A_{BP}, \text{ mm}^2}{100} \times \frac{\text{Stroke, mm}}{10} \times \frac{60}{t} = \text{cm}^3/\text{min}$$

2. Inch Units

$$\text{Flow rate AP} = \text{Area } A_{AP}, \text{ in}^2 \times \text{Stroke, in} \times \frac{60}{t} = \text{in}^3/\text{min}$$

$$\text{Flow rate BP} = \text{Area } A_{BP}, \text{ in}^2 \times \text{Stroke, in} \times \frac{60}{t} = \text{in}^3/\text{min}$$

Note:

The required piloting pressures and the actual response time will be influenced by:

1. Spring force (closing force)
2. Pressures acting on main ports A and B (opening forces)
3. Flow forces

Model Codes - Dynamic Functions

CVCS Covers

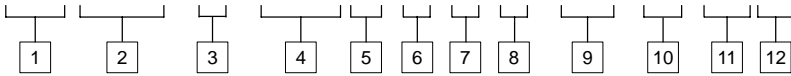
Vickers type “CVCS” cartridge covers featured in this catalog conform to installation requirements of ISO 7368 and DIN 24342.

All features must be specified when ordering; those in brackets () are optional or apply only to specific models.

Metric Models

Metric bolt tappings and orifice threads; BSPF plugs. Mounting bolts supplied for sizes 16 to 40 only.

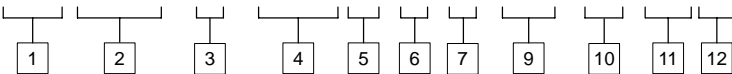
(F3-) CVCS - ** - ZD(A) 3 - B 2 9 (-W) - 1* (-* **)**



Non-Metric Models

UNC bolt tappings; UNF orifice threads; SAE plugs; mounting bolts not supplied.

(F3-) CVCS - ** - ZD(A) 1 - S 2 (-W) - 1* (-* **)**



1 Seal Material

F3 - Special seals. See “Fluids and Seals” on page 16.
Omit for standard seals.

2 Model

CVCS - Cartridge valve cover to ISO 7368

3 Nominal size to ISO 7368 (DIN 24342)

16 - 06 (NG16)
25 - 08 (NG25)
32 - 09 (NG32)
40 - 10 (NG40)
50 - 11 (NG50)
63 - 12 (NG63)

4 Function

ZD* - Dynamic with mounting face for size 03 pilot valve
ZDA* - Dynamic with stroke limiter and mounting face for size 03 pilot valve

* Code for optional threads, see 5.

5 Size 03 pilot valve mounting bolt tappings

1 - Inch threads
3 - Metric threads

6 Plugs and orifice threads

B - G (BSPF) threads for closure plugs; metric threads for orifices
S - SAE threads for closure plugs; UNF threads for orifices

7 Seals

2 - Inch O-ring seals to ISO 3601

8 Mounting bolts

Sizes 16 to 40 only
9 - Metric mounting bolts supplied

9 Adjuster mechanism

For model type ZDA* only
W - Wrench adjustment with hex locknut

10 Design number, 1* series

Subject to change. Installation dimensions unchanged for design numbers 10 to 19 inclusive.

See page 124 for sizes of factory-fitted standard orifices. Other orifice sizes and locations can be fitted by special arrangement with your Vickers representative. Non-standard orifice requirements should be defined as follows:

11 Pilot control orifice location

Specify port location for non-standard orifice, e.g. “AP”, followed by orifice size code, see 12. Repeat as necessary for further non-standard requirements.

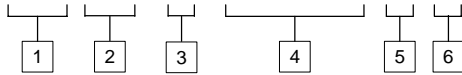
12 Orifice size

Specify non-standard orifice size code, see tables on page 125.

CVI Inserts

All features must be specified when ordering; those in brackets () are optional.

(F3-) CVI - ** - ZD(N)105 - * - 1*



1 Seal Material

F3 - Special seals. See "Fluids and Seals" on page 16. Omit for standard seals.

2 Model

CVI - Cartridge valve insert

3 Nominal size to ISO 7368 (DIN 24342)

16 - 06 (NG16)
25 - 08 (NG25)
32 - 09 (NG32)
40 - 10 (NG40)
50 - 11 (NG50)
63 - 12 (NG63)

4 Function

ZD105 - 1:1.05 ratio dynamic (with piston seals to ensure zero control port leakage)
ZDN105 - 1:1.05 ratio dynamic (without piston seals for fast response and low hysteresis)

5 Cracking pressure, bar (psi)

For models ZD105
L - 1,0 (14.5)
M - 2,5 (36.3)
H - 4,5 (62.2)
 For models ZDN105
L - 0,5 (7.3)
M - 2,0 (29)
H - 4,0 (58)

6 Design number, 1* series

Subject to change. Installation dimensions unchanged for design numbers 10 to 19 inclusive.

Note: A nameplate is supplied with each insert for fixing to the cover to identify the insert in use.

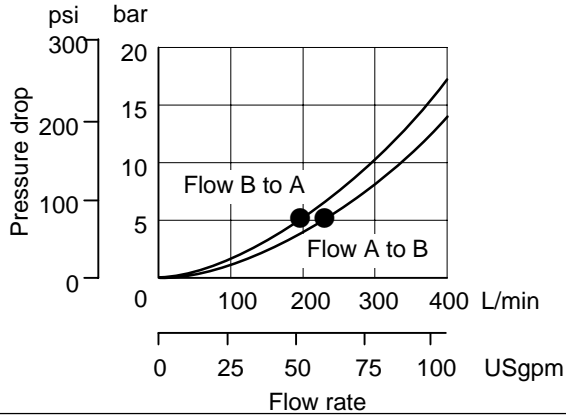
Performance Data - Dynamic Functions

Unless otherwise stated, performances are based on petroleum oil at 36 cSt (168 SUS) and at 50°C (122°F). For pressure drops at other viscosities, see page 127.

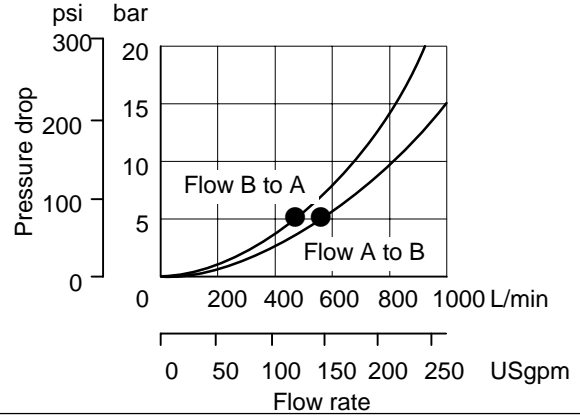
Pressure Drop Through Insert

● = Rated flow point

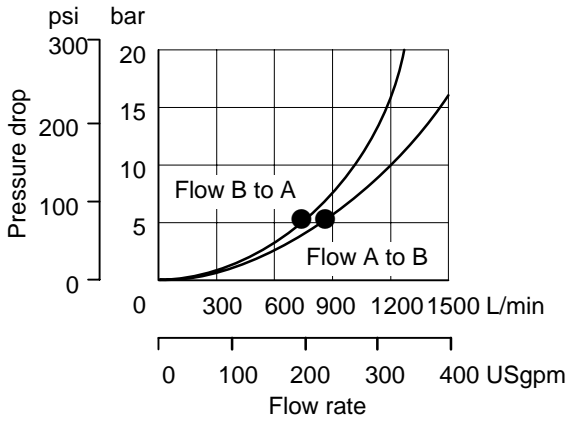
CVI-16-ZD(N)105*-1*



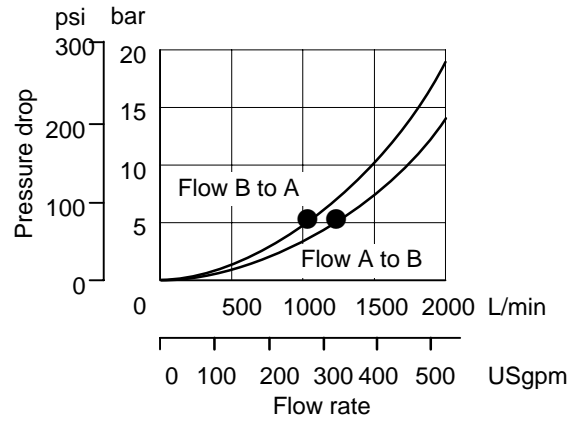
CVI-25-ZD(N)105*-1*



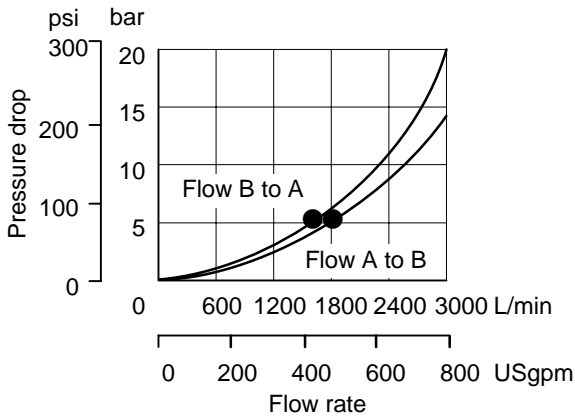
CVI-32-ZD(N)105*-1*



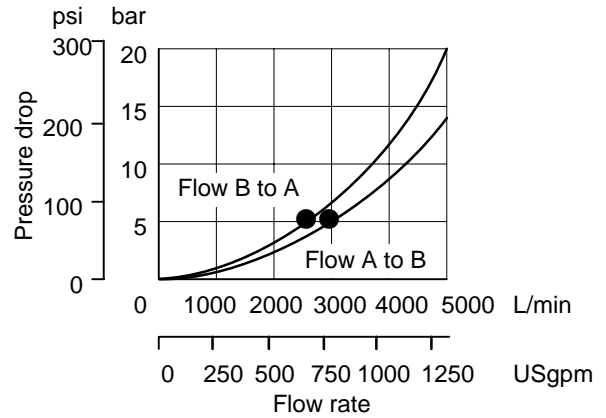
CVI-40-ZD(N)105*-1*



CVI-50-ZD(N)105*-1*

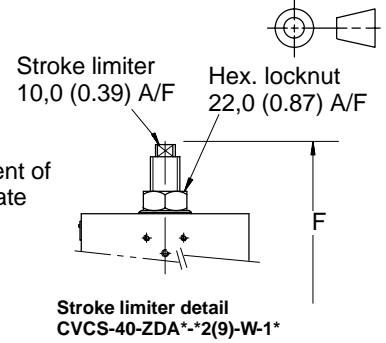
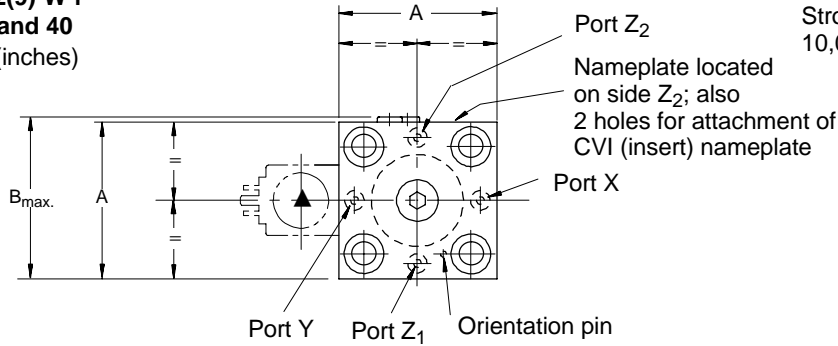


CVI-63-ZD(N)105*-1*



Dynamic Functions

CVCS--ZD*-*2(9)-1***
CVCS--ZDA*-*2(9)-W1***
Sizes 16, 25, 32 and 40
 Dimensions mm (inches)



Datum mounting bolt position of size 03 interface

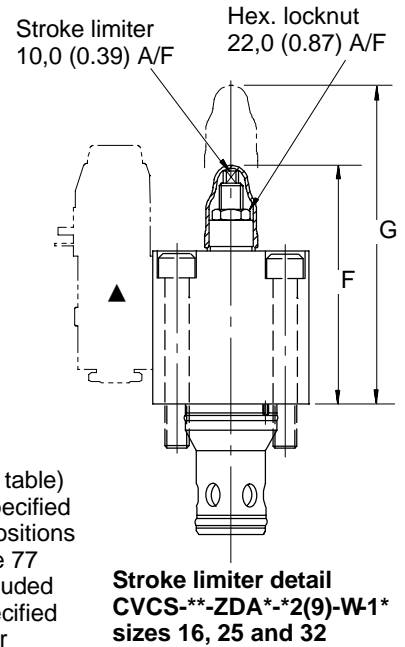
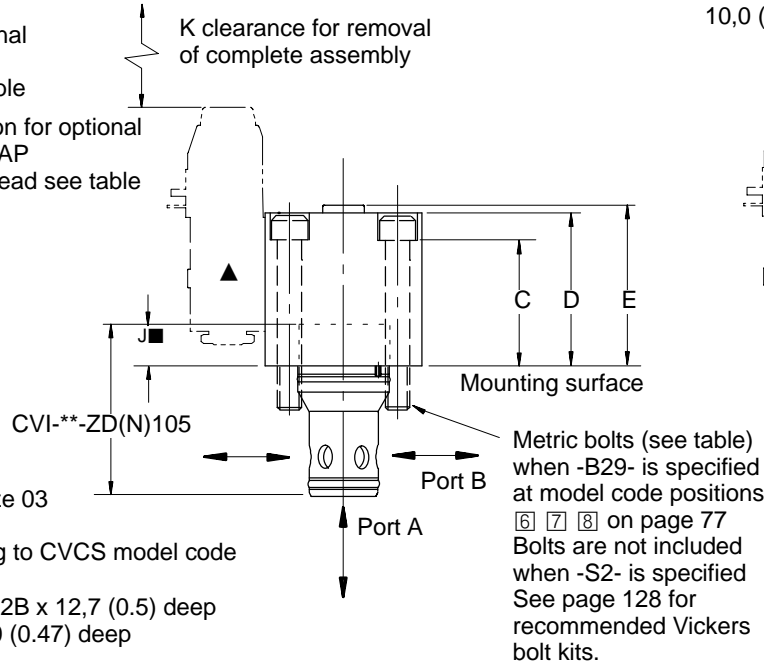
Location for optional orifice X
 For thread see table

Location for optional orifice AP
 For thread see table

Location for optional orifice Z₂
 For thread see table

Interface to ISO 4401 size 03 (ANSI/ B93.7M-D03)
 4 holes tapped according to CVCS model code [5] on page 77:

For [5] = 1: #10-24 UNC-2B x 12,7 (0.5) deep
 For [5] = 3: M5-6H x 12,0 (0.47) deep



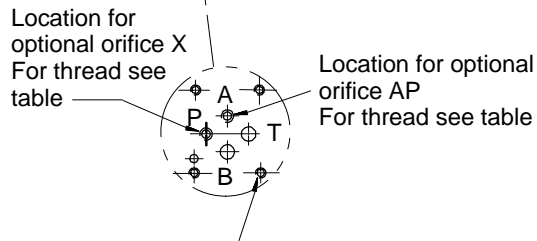
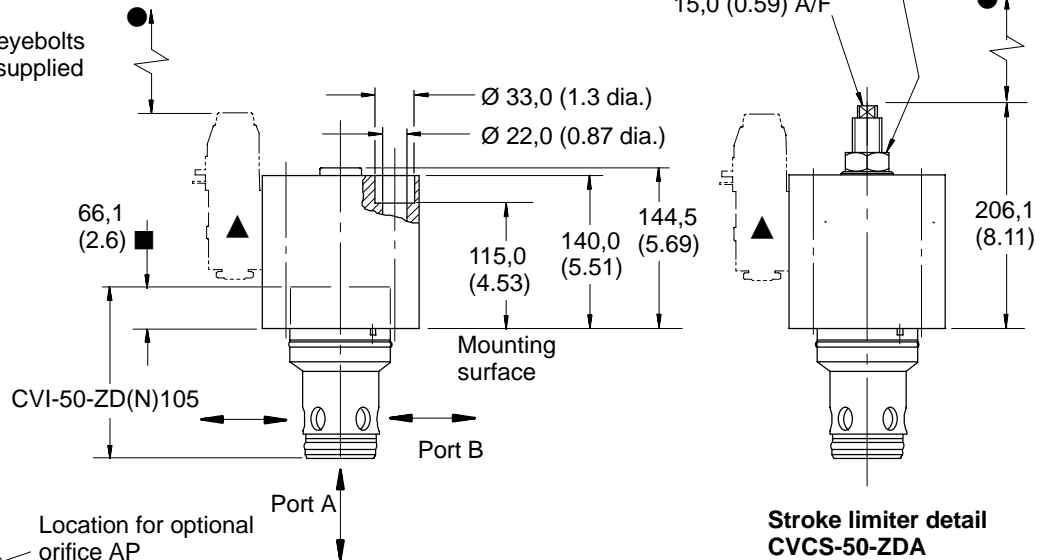
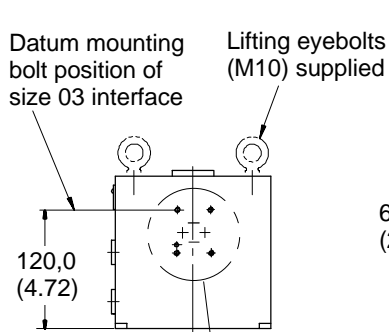
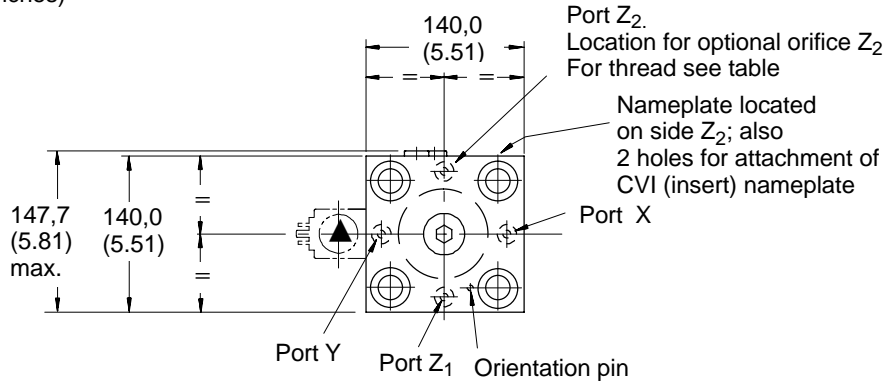
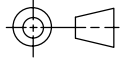
- ▲ Size 03 pilot control valve to be ordered separately. Recommended model Vickers DG4V-3(S), see GB-C-2015.
- Recess in cover for insert engagement.

Dim.	Valve size		32	40
	16	25		
A	65,0 (2.56)	85,0 (3.35)	102,0 (4.02)	125,0 (4.92)
B	68,8 (2.71)	89,0 (3.50)	106,0 (4.17)	129,0 (5.08)
C	85,0 (3.35)	81,0 (3.19)	82,0 (3.23)	95,0 (3.74)
D	95,0 (3.74)	100,0 (3.94)	100,0 (3.94)	120,0 (4.72)
E	99,0 (3.90)	103,5 (4.07)	103,5 (4.07)	124,3 (4.89)
F	119,0 (4.68)	139,0 (5.47)	156,0 (6.14)	186,6 (7.35)
G	175,1 (6.89)	211,1 (8.31)	241,1 (9.49)	-
H	75,5 (2.97)	80,0 (3.15)	80,0 (3.15)	95,0 (3.74)
J	34,0 (1.34)	38,1 (1.5)	41,1 (1.62)	55,15 (2.17)
K	56,1 (2.21)	72,1 (2.84)	85,1 (3.35)	105,1 (4.14)
Bolts	4 x M8 x 100	4 x M12 x 100	4 x M16 x 110	4 x M20 x 130
Bolt torque	35 Nm (26 lbf ft)	110 Nm (81 lbf ft)	285 Nm (210 lbf ft)	500 Nm (370 lbf ft)

Thread sizes for optional orifices

Model code positions [6] [7] [8] (page 77)	Orifice location	CVCS-**-ZD(A)* covers: sizes 16, 25, 32, 40
B 2 9	AP X Z ₂	M6-6H x 8,0 (0.31) deep
S 2	AP X Z ₂	1/4"-28 UNF-3B x 8,0 (0.31) deep

CVCS-50-ZD*-*2-1*
CVCS-50-ZDA*-*2-W1*
 Dimensions mm (inches)

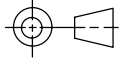


Interface to ISO 4401 size 03
 (ANSI/ B93.7M-D03)
 4 holes tapped according to CVCS model code 5 on page 77:
 For 5 = 1: #10-24 UNC-2B x 12,7 (0.5) deep
 For 5 = 3: M5-6H x 12,0 (0.47) deep

- 122,1 (4.81) clearance for removal of complete assembly.
- ▲ Size 03 pilot control valve to be ordered separately.
 Recommended model Vickers DG4V-3(S), see GB-C-2015.
- Recess in cover for insert engagement.

Thread sizes for optional orifices

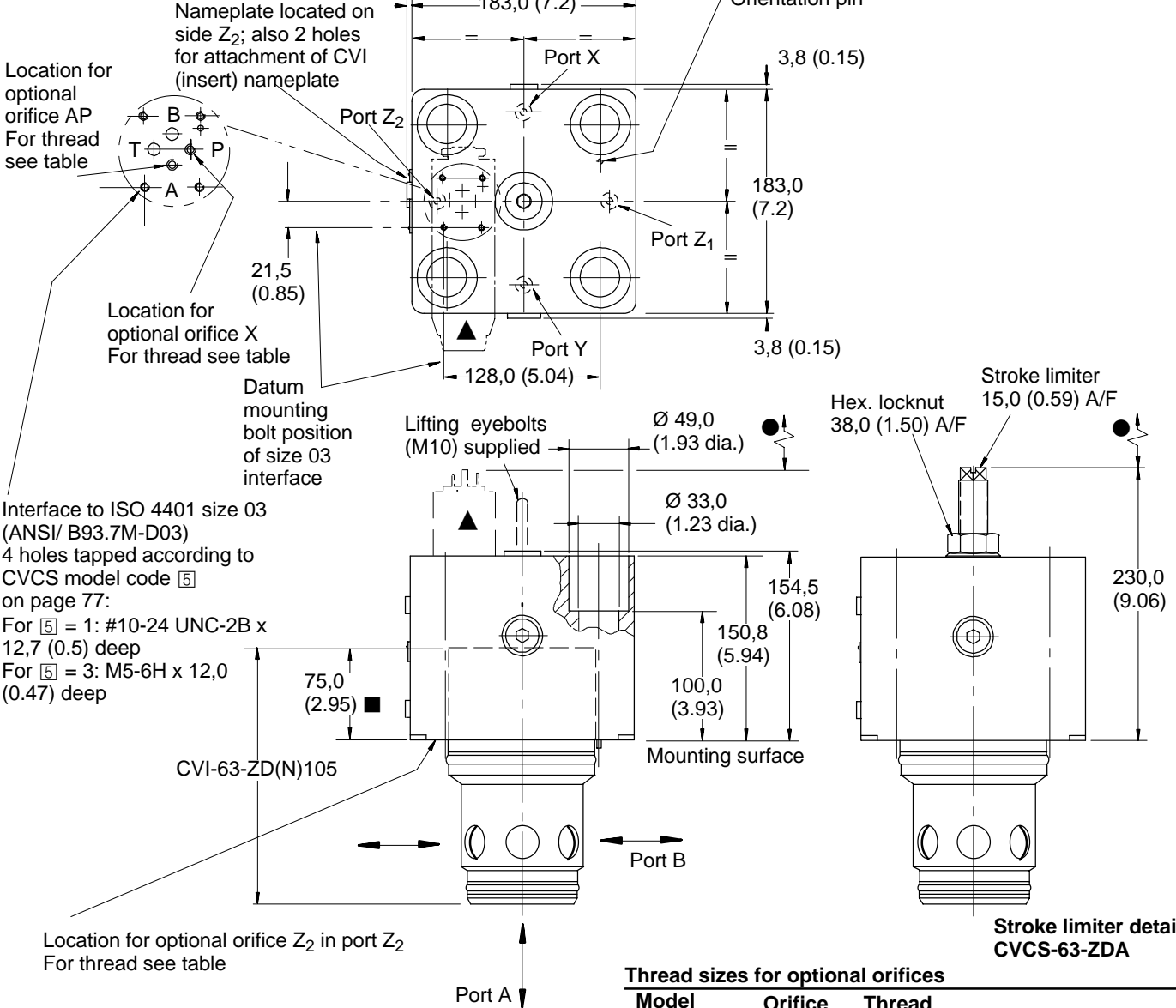
Model code positions	Orifice location	Thread
B 2	AP	M6-6H x 8,0 (0.31) deep
	X	
	Z ₂	
S 2	AP	1/4"-28 UNF-3B x 8,0 (0.31) deep
	X	
	Z ₂	



CVCS-63-ZD*-*2-1*

CVCS-63-ZDA*-*2-W-1*

Dimensions mm (inches)



Thread sizes for optional orifices

Model code positions [6] [7] (page 77)	Orifice location	Thread
B 2	AP	M6-6H x 8,0 (0.31) deep
	X	
	Z ₂	M10-6H x 10,0 (0.39) deep
S 2	AP	1/4"-28 UNF-3B x 8,0 (0.31) deep
	X	
	Z ₂	3/8"-24 UNF-2B x 11,0 (0.43) deep

- 155,1 (6.11) clearance for removal of complete assembly.
- ▲ Size 03 pilot control valve to be ordered separately.
Recommended model Vickers DG4V-3(S), see GB-C-2015.
- Recess in cover for insert engagement.

Valvistor® Proportional Throttles

CVCS-**-HFV, 1* Series, Covers and CVI-**-HFV-A/B, 1* Series, Inserts

Basic Characteristics

Nominal sizes:
ISO 7368

DIN 24342

06	NG16
08	NG25
09	NG32
10	NG40
11	NG50
12	NG63

Max. operating pressure 350 bar (5000 psi)

Flow ratings up to 2160 L/min (571 USgpm)

Catalog data based on pilot valve KTG4V-3S---60-EN427.

General Description

The HFV (Hydraulic Feedback Valvistor®) range of slip-in cartridge valves uses a self-regulating hydraulic design for the control of flow rate by a current-controlled PWM signal. The design achieves servo-type control of the main poppet without using an electrical feedback transducer.

The construction and features of these valves open up a wide range of applications with hydraulic cylinders and motors. Such applications include die casting, deep drawn presses, injection molding, container handling, shovel loaders, forestry and dump trucks.

With the addition of HFV valves to the established ISO 7368 (DIN 24342) cartridge valves, Vickers has further enhanced an already comprehensive range.

Valvistor® Technology◆

◆ Patents applied for worldwide.

In "Valvistor" designs a main poppet amplifies a small flow through the pilot circuit, comparable to a transistor. Thus the name "Valvistor", derived from "valve" and "transistor".

Figures 39 and 40 show the construction of proportional throttles to ISO 7368. In both cases a Vickers type

KTG4V-3S proportional valve is used as the pilot control valve.

Hydraulic position feedback is obtained by providing the main poppet with a longitudinal slot (5) in its cylindrical surface. This slot, together with a metering edge inside the sleeve, forms a variable orifice between the inlet of the valve and the volume above the main poppet (3).

The slot is underlapped to the metering edge therefore when the valve is closed and the main poppet is seated, the variable orifice area is almost closed.

Construction for flow direction A to B; poppet in the closed (no flow) condition. (Note: For flow A-B, poppet drilled from A.)

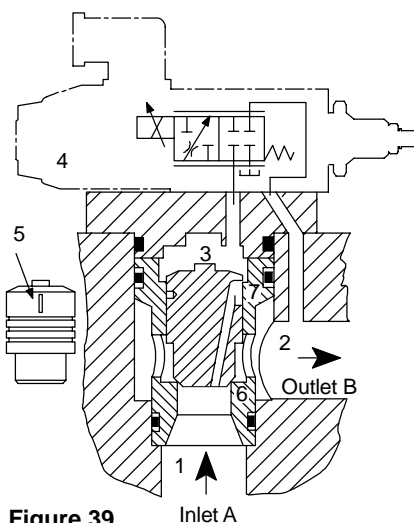


Figure 39

Construction for flow direction B to A; poppet partially open. (Note: For flow B-A, poppet drilled from B.)

As the main poppet opens, the variable orifice area increases. The slot is a part of one leg of a hydraulic bridge circuit and provides an internal position feedback.

With the pilot throttle valve closed (Figure 39), the only pilot flow through the closed-off slot in the seated poppet is due to pilot valve leakage. The pressure above the main poppet (3) is equal to the pressure at the valve inlet

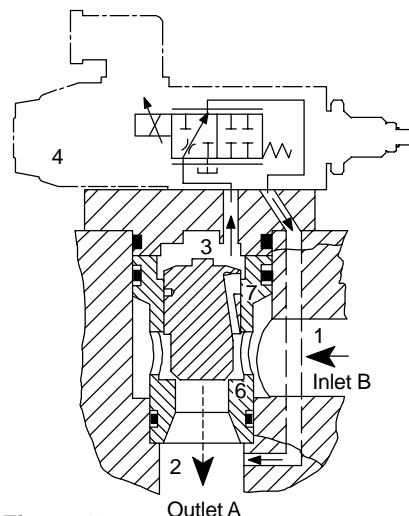


Figure 40

(1), due to the controlled small opening at the variable orifice. As the upper area of the poppet is greater than the area facing the inlet (1), the poppet is held against its seat (6) by a force proportional to the difference between valve inlet and outlet pressures.

Opening the pilot throttle valve (Figure 40) lowers the pressure in volume (3) allowing the main poppet to move off its seat. As this occurs the slot passes the metering edge (7), opening the variable orifice and allowing flow through the pilot circuit. Initially the flow through the pilot valve equals the flow through the slot plus the volume displaced by the opening movement of the main poppet.

The main poppet moves upwards until the pressure drops across the slot and the pilot effects a force balance on the poppet. The poppet is then held in a steady-state condition with equal flow across the slot and the pilot.

If the flow through the pilot valve is reduced (by reducing the command current to the solenoid), the force balance of the main poppet is again disturbed and the main poppet moves downwards reducing the slot area and decreasing flow to the upper chamber until the force balance is restored.

Thus by controlling flow through the pilot valve, the main poppet can be controlled in any position from fully closed to fully open. In this manner a very simple, effective servo-control of the main poppet is obtained.

Valvistor® Proportional Throttles

As the pilot flow is returned to the valve outlet (i.e. no “drain” connection) the valve is energy efficient.

If the outlet pressure exceeds inlet pressure when the pilot valve is closed, the main poppet allows reverse flow (see CVCS model code [6](#) , page 86).

The main valve function is determined by the type of pilot fitted. If pressure compensation is added to the pilot stage, the complete valve is pressure compensated. If a pilot relief valve is fitted, the mainstage operates as a relief valve.

Therefore the position of the main poppet is controlled by a closed-loop system with a variable orifice in the poppet acting as the internal position feedback element. The command signal in this feedback system is pilot flow, as set at the proportional pilot throttle valve (4).

Features and Benefits

The HFV range with its simplicity, cost effectiveness and performance level can be applied in almost all applications from high performance industrial areas such as injection molding to those applications just requiring proportional functionality.

The data in this catalog is based on the specially developed proportional pilot KTG4V-3S---60-EN427 (catalog 539). The functional flexibility of the Valvistor may be extended by the use of different pilots. Contact Vickers for application assistance.

In addition, the HFV ranger offers:

Unequaled simplicity	No inner electrical feedback loop and associated electronics
Two models: for flow direction A to B or B to A	Provides system design options and flexibility
Free flow in reverse direction	Provides system design options and flexibility
Internal pilot flow	Simple installation and energy efficient
Fast response	Provides the system designer with high dynamic acceleration/velocity/ deceleration profiles for demanding performance requirements such as: <ul style="list-style-type: none"> ● Cylinder position control including lift/lower ● Rotary actuator dynamic control ● Velocity profile control
Smooth closing and opening	Shock-free start-up and shut-off allow high velocities to be maintained for longer periods, thus reducing cycle times
Low hysteresis	Typically less than 8% with a PWM signal Permits accurate positioning
Integral feedback	Internal hydraulic feedback provides effective, low-cost position control of main poppet
Repeatability	Provides repeatable and accurate actuator velocity to a given operator command input
Electrical operation	Current-controlled PWM signal, see pilot valve electrical data, page 89
Pressure compensation	Can be achieved by pressure compensating pilot stage only
Cost-effective design	Provides multiple functions such as pressure compensation, flow control and reverse free flow check valve
Optional manual override	Pin design
Compatible with antiwear hydraulic oils and phosphate esters (non alkyl)	Flexible application for broad range of installations
Electrical connections DIN or conduit box	Provides design flexibility to meet OEM or user preference
Inherent benefits of Vickers cartridge valve technology are applicable to the Valvistor range.	

Functional Symbols Valvistor® Proportional Throttle Valves

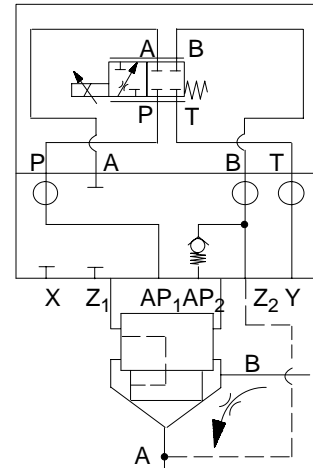
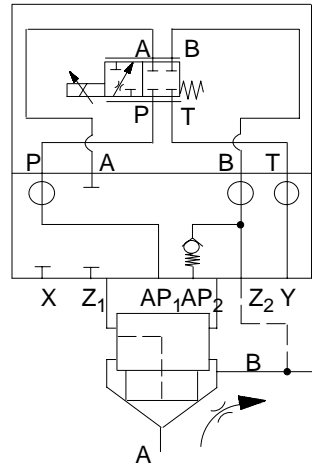
Complete valve assembly comprises insert, cover and proportional solenoid operated pilot valve (pilot valve to be specified and ordered separately).

Models without free reverse flow capability
Use cover type CVCS-**-HFV*-W-*2(9)-1*

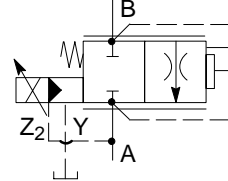
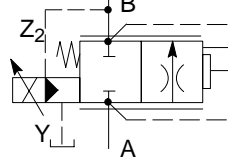
Direction of controlled flow

A to B
Use insert type CVI-**-HFV-20-A-***-1*

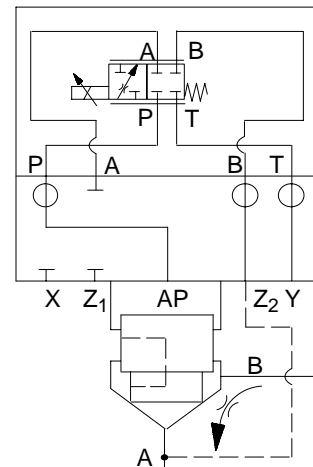
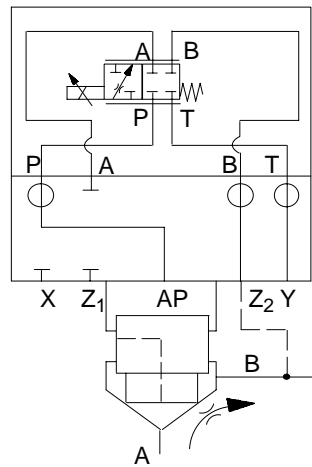
B to A
Use insert type CVI-**-HFV-20-B-***-1*



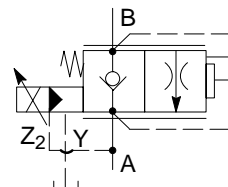
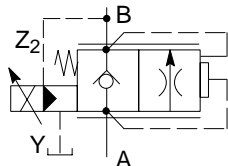
Simplified symbol



Models with free reverse flow capability
Use cover type CVCS-**-HFV*-2(9)-1*
Note: Omit W from model code position 6, see page 86.



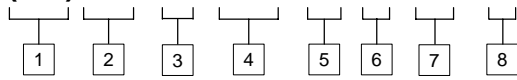
Simplified symbol



Model Codes Valvistor® Proportional Throttle Valves

Valvistor Throttle Inserts

(F3-) CVI - ** - HFV - 20 - * - * - 1***



1 Seal Material

F3 - Seals for phosphate esters or chlorinated hydrocarbons
Omit for all other fluid types.

2 Model

CVI - Cartridge valve insert

3 Nominal size to ISO 7368 (DIN 24342)

16 - 06 (NG16)
25 - 08 (NG25)
32 - 09 (NG32)
40 - 10 (NG40)
50 - 11 (NG50)
63 - 12 (NG63)

4 Type

HFV - Hydraulic feedback, Valvistor

5 Area ratio

20 - 1:2 area ratio

6 Flow direction

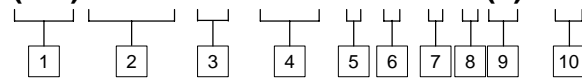
A - For flow A to B
B - For flow B to A

7 Flow capacity at $\Delta p = 10$ bar (145 psi)

Size/Flow Direction	Code	L/min	USgpm
16A	21	210	55
16B	21	210	55
25A	40	405	107
25B	32	320	107
32A	63	630	166
32B	63	630	166
40A	90	900	238
40B	81	900	238
50A	130	1305	345
50B	130	1305	345
63A	216	2160	571
63B	216	2160	571

Valvistor Throttle Covers (Suitable for flows A to B and B to A)

(F3-) CVCS - ** - HFV - * - * - * 2 (9) - 1*



1 Fluid compatibility

F3 - Seals for phosphate esters or chlorinated hydrocarbons
Omit for all other fluid types.

2 Model

CVCS - Cartridge valve cover to ISO 7368

3 Nominal size to ISO 7368 (DIN 24342)

16 - 06 (NG16)
25 - 08 (NG25)
32 - 09 (NG32)
40 - 10 (NG40)
50 - 11 (NG50)
63 - 12 (NG63)

5 Size 3 pilot valve mounting bolts

1 - Imperial threads
3 - Metric threads

6 Control option

W - Mainstage Valvistor without free reverse flow
Omit for standard mainstage Valvistor with free reverse flow capability

7 Thread/seal combination

B - G (BSPF) threads for gage ports; metric threads for orifices (only available when "3" specified at position **5**)
S - SAE O-ring gage; inch threads for orifices (only available when "1" specified at position **5**)

8 Seals

2 - Inch O-ring seals to ISO 3601

9 Mounting bolts

Sizes 16-40 only
9 - Metric mounting bolts supplied as standard when "B" (BSPF threads) specified at position **7**
Omit for sizes 50 and 63

10 Design number, 1* series

Subject to change. Installation dimension: unaltered for design numbers 10 to 19.

4 Type

HFV - Hydraulic feedback, Valvistor

Pilot Valve

For operation with 12V control system:
KTG4V-3S2B 08N-(V)M-*** **
*(1)**G5-60-EN427**

For operation with 24V control system:
KTG4v-3S2B 08N-(V)M-*** **
*(1)**H5-60-EN427**

For full technical details of this valve including types of electrical connections, see catalog 539.

Operating Data Valvistor® Proportional Throttle Valves

Data is typical with fluid at 36 cSt (168 SUS) and 50°C (122°F). For pressure drops at other viscosities, see page 129.

Maximum pressure	350 bar (5000 psi)					
Flow ratings	See model code (CVI) 7 page 86					
Controlled flow characteristics	See graphs on page 88					
Pressure drop, free return flow	See graphs on page 90					
Dynamic performance:	06 (NG16)	08 (NG25)	09 (NG32)	10 (NG40)	11 (NG50)	12 (NG63)
Step input ▲ response at $\Delta p = 10$ bar (145 psi)						
Opening time (ms)	50	85	130	240	280	340
Closing time (ms)	40	60	85	130	200	300
Hysteresis ▲	<15%	<15%	<15%	<15%	<15%	<15%
Repeatability ▲	<3%	<3%	<3%	<3%	<3%	<3%
Area ratio (all sizes)	1:2					
Hydraulic fluids	See page 16					
Temperature limits	See page 16					
Filtration requirements	See page 18					
Mounting bolts and assembly torques	See page 128					
Seal kits	See page 130					
Mass	See page 136					

▲ Data quoted with KTG4V-3S---60-EN427 as pilot valve, driven by EEA-PAM-520-A-14.

Pilot Valve Electrical Data

Full performance data and model code breakdown can be found in catalog 539

Type	KTG4V-3S---60-EN427 (denotes special spool)	
	Coil type	
	G	H
Max. current at 50°C (122°F)	3.2A	1.6A
Coil resistance at 20°C (68°F)	1.8 ohms	7.3 ohms
Coil inductance at 1000 Hz	7.5 mH	29 mH
Relative duty factor	Continuous rating (ED = 100%)	
Electrical protection with plugs fitted correctly	IEC 947 class IP65	
Recommended amplifier	EEA-PAM-520-A-14	

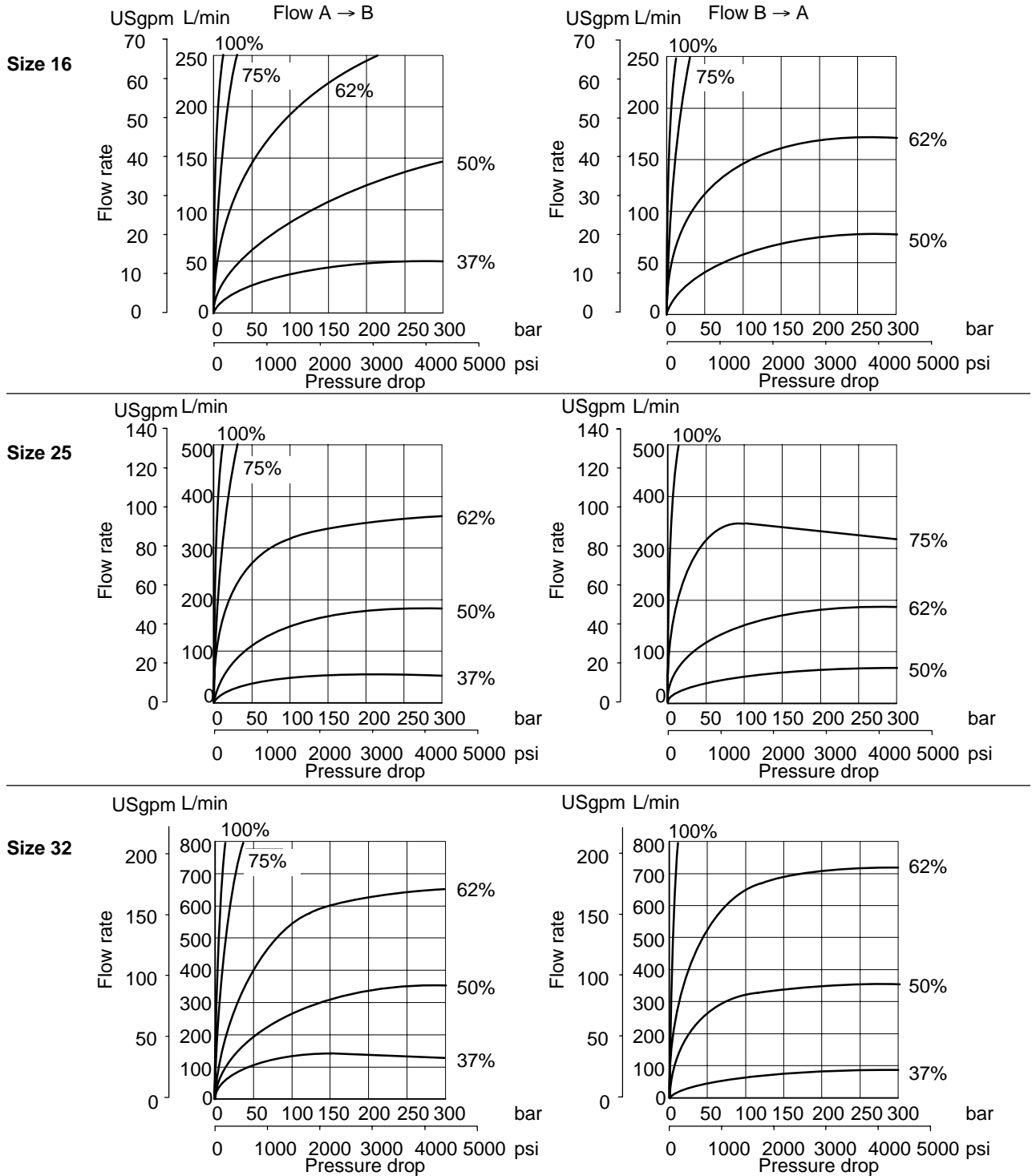
Performance Data Valvistor® Proportional Throttle Valves

The graphs below and on the following page show typical flow characteristics for different values of input current to pilot valve plotted against flow rate and

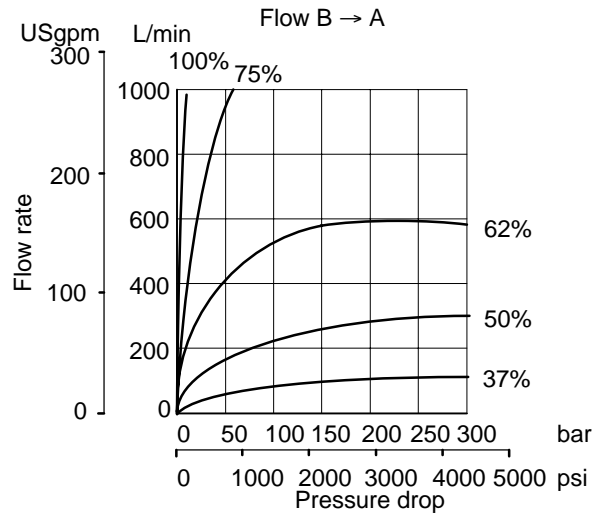
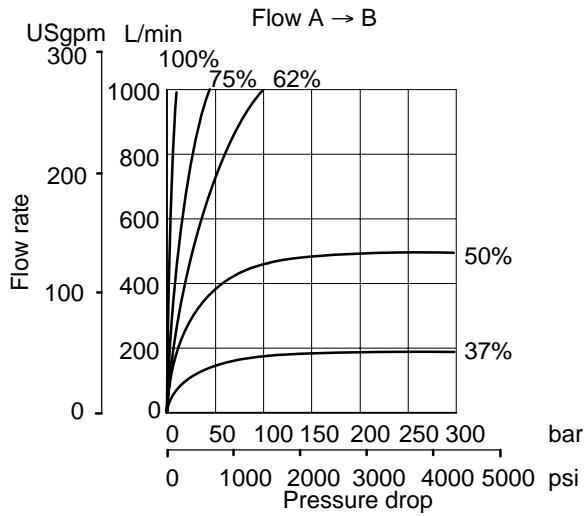
valve pressure drop. They are based on a standard HFV insert and cover with a KTG4V-3S--60-EN427 pilot valve.

A minimum pressure drop of 5 bar (72 psi) is recommended. Higher pressure drops result in improved control.

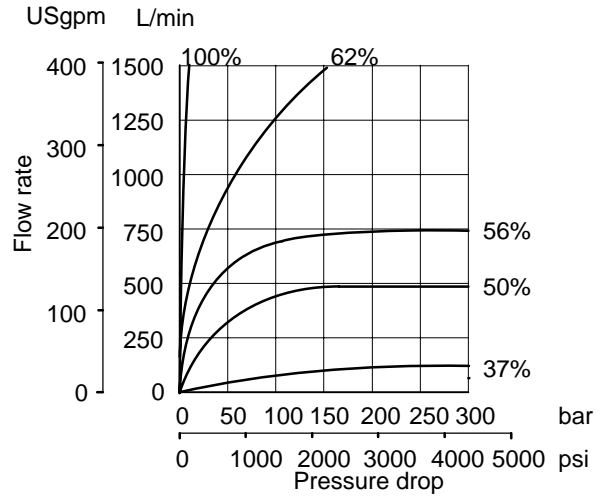
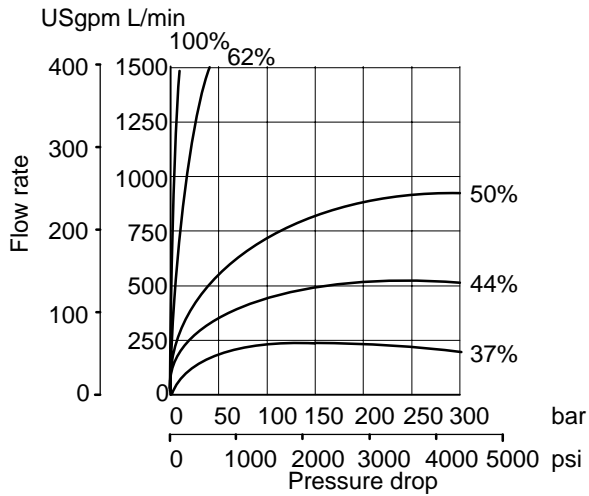
Flow/Pressure Drop vs Solenoid Current (% of max.)



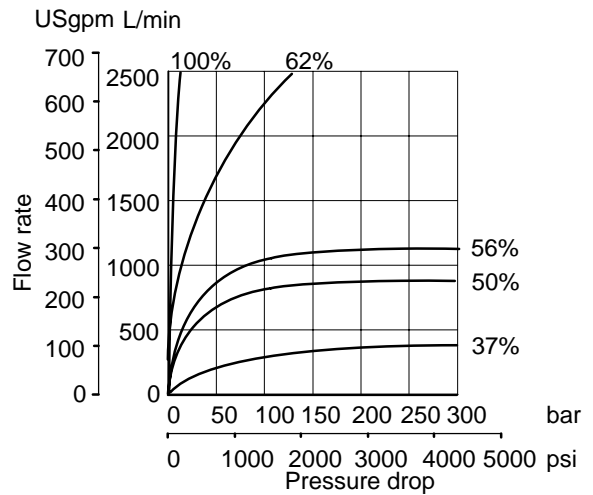
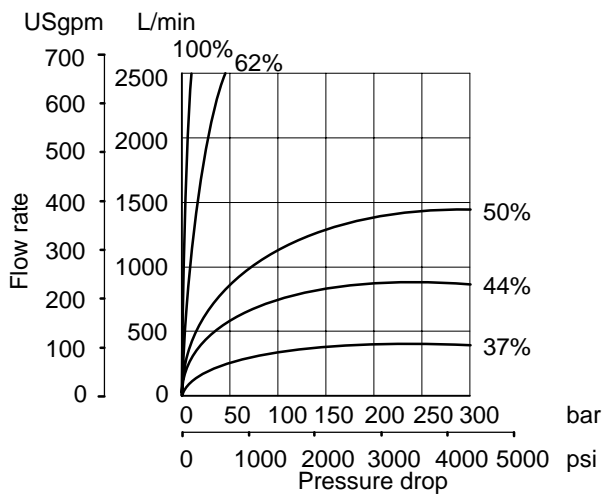
Size 40



Size 50



Size 63

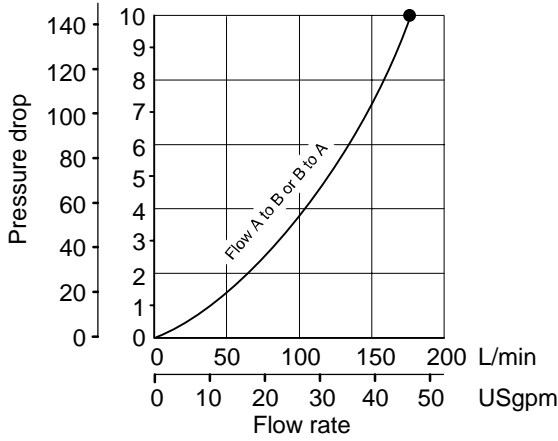


Pressure Drops – Free Return Flow

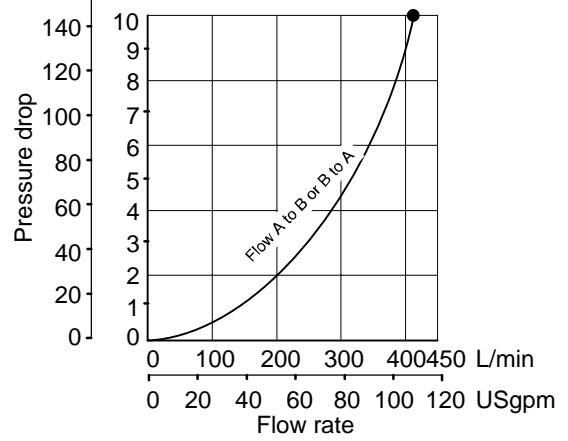
See CVCS model code [6]

● = Rated flow point

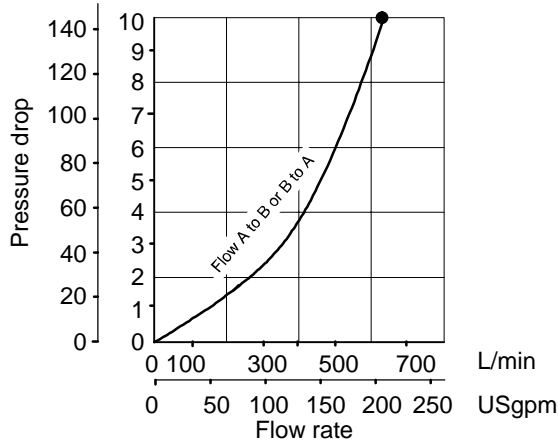
Size 16 psi bar



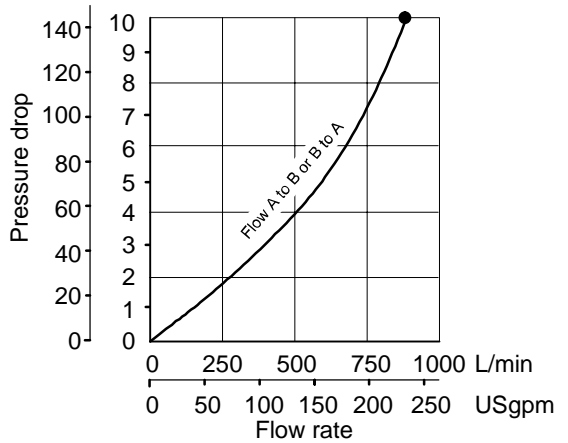
Size 25 psi bar



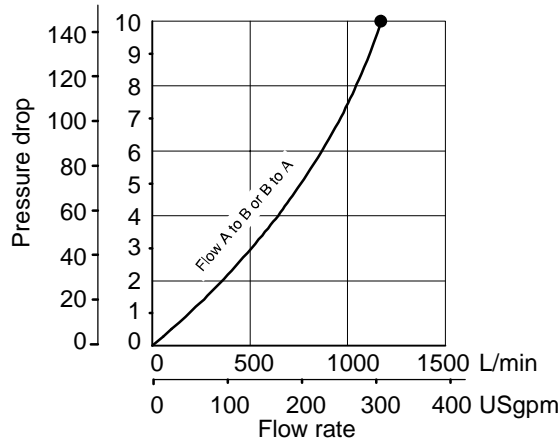
Size 32 psi bar



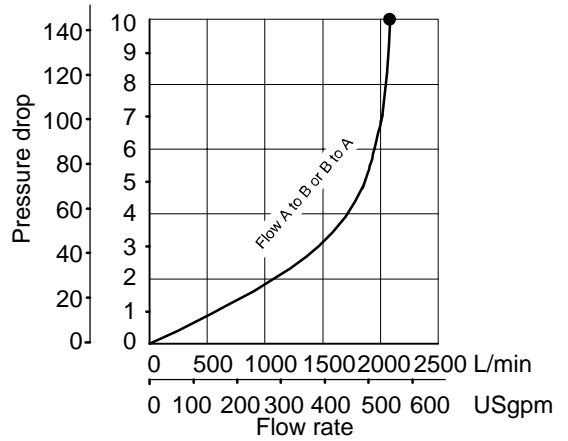
Size 40 psi bar



Size 50 psi bar



Size 63 psi bar



Mounting Bolts and Assembly Torques

For Covers

As noted in CVCS model code position 9 on page 86, cover types CVCS-**-HFV1-(W)-B29-1*, sizes 16 to 40 inclusive, are supplied complete with metric mounting bolts. For correct installation of all other CVCS-**-HFV* cover types, the following Vickers bolt kits are recommended.

Inch threads

Nominal size	Bolt size	Vickers bolt kit model code	Recommended assembly torque, lbf ft■
16	5/16"-18 x 1.50	BKDNG16-700	26
25	1/2"-13 x 1.50	BKDPNG25-704	81
32	5/8"-11 x 2.00	BKDNG32-713	210
40	3/4"-10 x 2.25	BKDPNG40-706	370
50	3/4"-10 x 3.00	BKDNG50-708	429
63	1 1/4"-7 x 3.50	BKDNG63-710	888

Metric threads

Nominal size	Bolt size	Vickers bolt kit model code	Recommended assembly torque, Nm■
16	◆	—	35
25	◆	—	110
32	◆	—	285
40	◆	—	500
50	M20 x 80	BKDNG50-709M	580
63	M30 x 90	BKDNG63-711M	1200

For Pilot Valve

See catalog 539.

Seal Kits

For CVI-**-HFV inserts

Nominal size	Seal kit type, see model code □	
	Standard	F3-
16	456173	02-157617
25	456926	02-157618
32	479449	02-157619
40	478732	514808
50	478733	02-157620
63	456798	02-157621

For CVCS-**-HFV covers

Nominal size	Seal kit type, see model code □	
	Standard	F3-
16	02-157672	02-157671
25	02-157674	02-157673
32	02-157905	02-157906
40	02-157712	02-157713
50	02-310971	02-310973
63	02-310975	02-310976

■ With threads lubricated.

◆ Metric bolts supplied with cover sizes 16 to 40 inclusive, type -B29-. See installation drawing, next page.

Mass Approx., kg (lb)

Nominal size	CVI-**-HFV insert	CVCS-**-HFV cover
16	0,13 (0.29)	1,2 (2.6)
25	0,33 (0.73)	1,9 (4.2)
32	0,9 (1.98)	3,3 (7.3)
40	1,35 (3.0)	6,3 (13.9)
50	2,2 (4.8)	9,6 (21.0)
63	5,4 (11.9)	19,4 (42.7)

Ordering Procedure

The component parts of the Valvistor proportional throttle assembly, including the pilot control valve, must be ordered individually. In addition there is a choice of electronics: typically a Vickers Eurocard drive amplifier, alternatively a Vickers 12V DC or 24V DC proportional power plug. The full model code must be specified in all cases.

Typical Valvistor Component Selection

CVI-**-HFV-20-**-10 insert
 CVCS-**-HFV**-**2(9)-10 cover
 Cover mounting bolt kit ◆
 KTG4V-3S- -60-EN427
 Pilot valve mounting bolt kit see catalog 539

Plus:

Drive Electronics for 24V DC System

EEA-PAM-520-A-14 Eurocard amplifier, see GB-C-2270

or

EHH-AMP-702-**-10 proportional power plug, see GB-C-2115

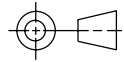
Drive Electronics for 12V DC System

EHH-AMP-712-**-10 proportional power plug, see GB-C-2282

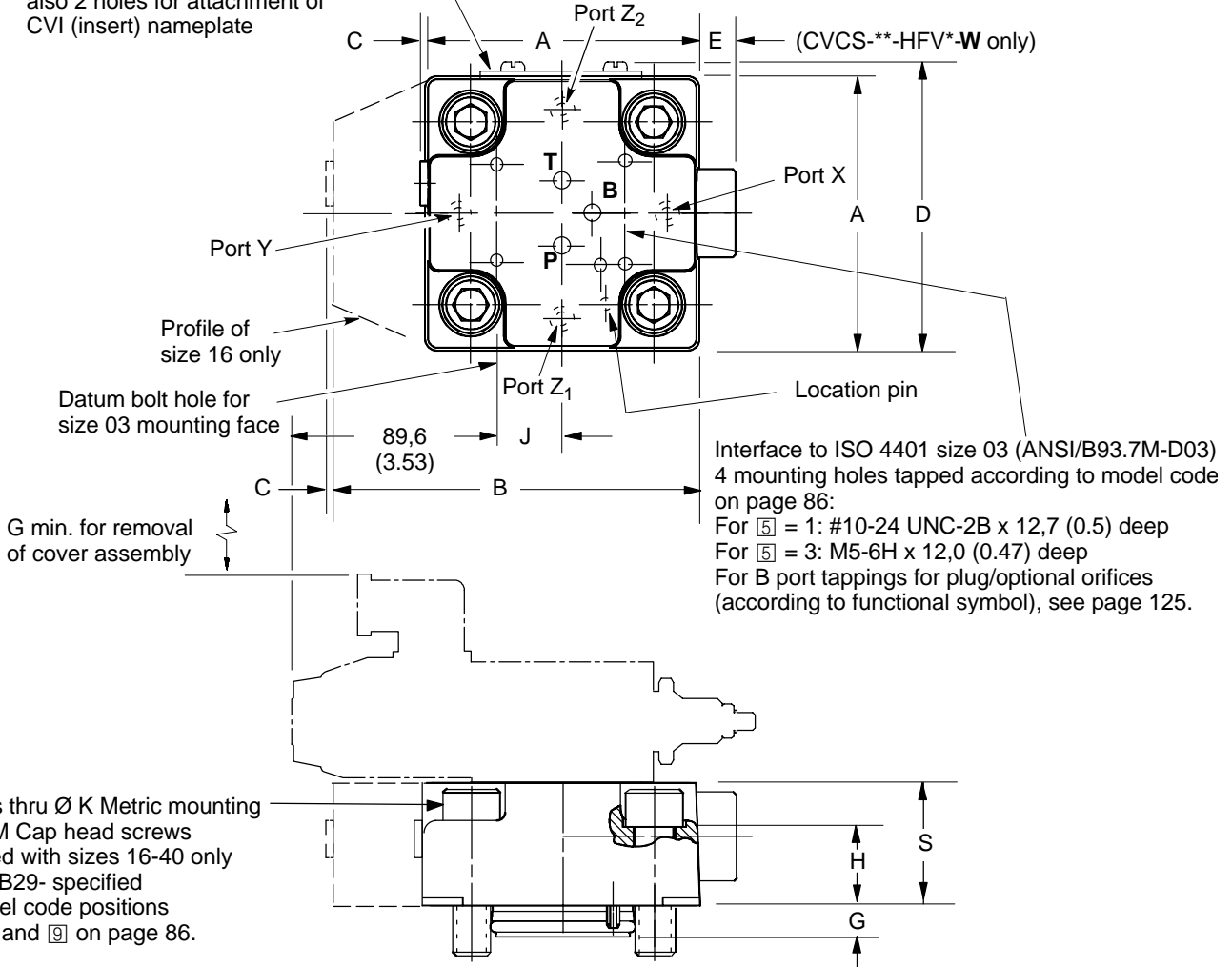
Valvistor® Proportional Throttle Valves

CVCS-**-HFV*

Dimensions mm (inch)



Nameplate located on side Z₂;
also 2 holes for attachment of
CVI (insert) nameplate



Valve size	A sq.	B	C max.	D	E max.	G	H	J	Ø K (K dia.)	M Mounting bolts	S
16	66,0 (2.6)	85,5 (3.37)	4,5 (0.18)	68,5 (2.7)	14,5 (0.57)	8,0 (0.32)	36,0 (1.42)	32,50 (1.28)	8,75/9,25 (0.344/0.364)	M8 x 50	48,0 (1.89)
25	86,0 (3.38)	—	3,5 (0.14)	88,5 (3.48)	13,5 (0.53)	10,5 (0.42)	25,0 (0.98)	20,75 (0.82)	13,75/14,25 (0.541/0.561)	M12 x 40	39,0 (1.54)
32	102,5 (4.03)	—	3,5 (0.14)	104,5 (4.11)	13,5 (0.53)	13,0 (0.52)	30,0 (1.18)	21,50 (0.85)	17,75/18,25 (0.699/0.718)	M16 x 55	48,0 (1.89)
40	126,0 (4.96)	—	2,0 (0.08)	128,5 (5.06)	11,0 (0.43)	15,0 (0.59)	35,0 (1.38)	21,50 (0.85)	21,75/22,25 (0.856/0.875)	M20 x 60	58,0 (2.28)
50	142,5 (5.61)	—	4,5 (0.18)	145,0 (5.71)	0 (0)	18,0 (0.71)	42,0 (1.66)	21,50 (0.85)	21,75/22,25 (0.856/0.875)	—	68,0 (2.68)
63	183,0 (7.2)	—	4,5 (0.18)	185,5 (7.3)	0 (0)	20,0 (0.79)	48,0 (1.89)	21,50 (0.85)	32,75/33,25 (1.289/1.309)	—	83,0 (3.27)

Electrohydraulic Proportional Throttles

CVU-**-EFP1-3* Series

Basic Characteristics

Valves

Nominal sizes: ISO 7368	DIN 24342
06	NG16
08	NG25
09	NG32
10	NG40

Max. operating pressure 315 bar
(4500 psi)

Flow ratings up to 900 L/min
(238 USgpm)

Amplifier

Vickers model EEA-PAM-571-A, to be ordered separately. Power input 20-34V DC, 24V DC nominal.

General Description

Proportional throttle (restrictor) valves for use where one or more of the following requirements exist.

- Remote control of machine actuator speed, linear or rotary.
- Speed control in accordance with machine operating cycles or programs.
- Meter-in, meter-out or bleed-off application of the throttle valve itself.
- Pressure compensated flow control with the aid of a pressure hydrostat module, in any of the same three application modes.
- Smooth control of machine acceleration and/or deceleration.
- For industrial and mobile applications.

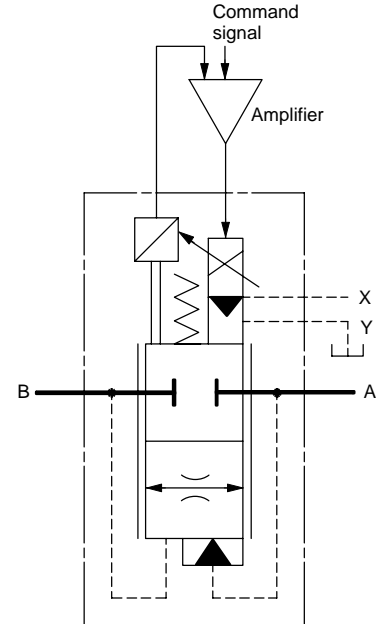
Note: Correct performance of valves can only be obtained using Vickers amplifier EEA-PAM-571-A.

Features and Benefits

- New 09 (NG32) size.
- Valves suitable for unidirectional and bidirectional control of flow.
- 4 valve sizes offer choice of flow capacities
 - 06 (NG16): 190 L/min (50 USgpm)
 - 08 (NG25): 450 L/min (119 USgpm)
 - 09 (NG32): 700 L/min (185 USgpm)
 - 10 (NG40): 900 L/min (238 USgpm) at 10 bar (145 psi) Δp .
- Designed for zero leakage when closed.
- Common amplifier for any valve size minimizes inventory.
- 24V DC nominal supply to amplifier to suit state-of-art control systems.
- Choice of command signals.
- Acceleration and deceleration requirements can be adjusted on-site by "ramp" potentiometer.
- Facility for on-site adjustment of "deadband" compensation and "gain".
- Setting-up and fault diagnosis eased by panel display and signal monitoring points.

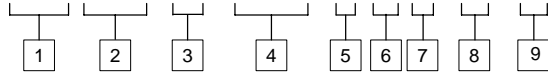
Functional Symbol

CVU-**-EFP1



Model Codes Electrohydraulic Proportional Throttles

(F3-) CVU - ** - EFP1 - B 2 9 - ** - 3*



1 Special seals for phosphate ester fluids
Omit for standard seals; see "Hydraulic fluids" section.

2 Model
CVU - Cartridge valve unit

3 Nominal size to ISO 7368 (DIN 24342)
16 - 06 (NG16)
25 - 08 (NG25)
32 - 09 (NG32)
40 - 10 (NG40)

4 Type
EFP1 - Electronic feedback, proportional 2-stage

5 Threads on fitted plugs
B - G (BSPF) threads to ISO 228/1

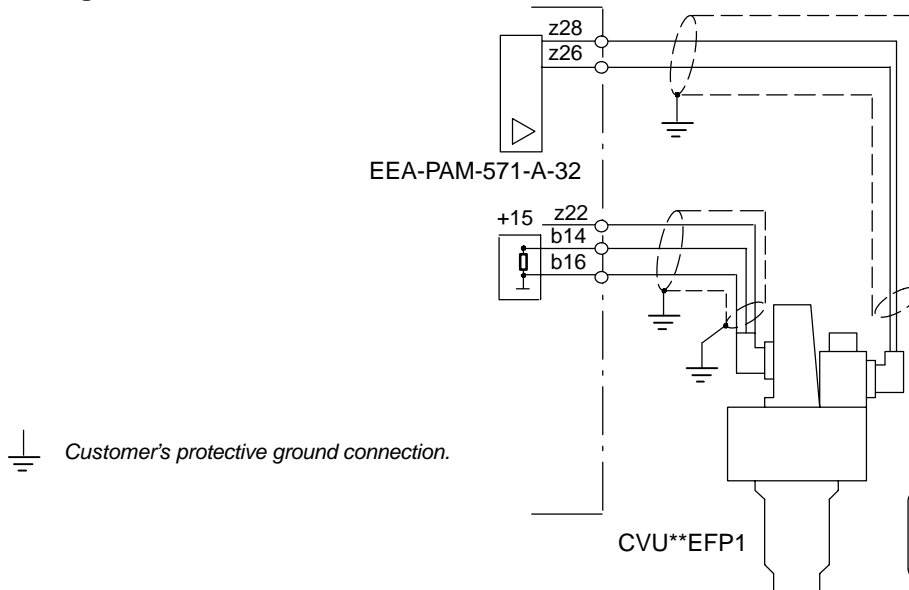
6 Seals
2 - Seals to ISO 3601

7 Mounting Bolts
9 - Metric mounting bolts supplied

8 Rated flow at 10 bar (145 psi) Δp
19 - 190 L/min (50 USgpm) size 06 (NG16) only
45 - 450 L/min (119 USgpm) size 08 (NG25) only
70 - 700 L/min (185 USgpm) size 09 (NG32) only
90 - 900 L/min (238 USgpm) size 10 (NG40) only

9 Design number, 3* series
Subject to change. Installation dimensions unaltered for design numbers 31 to 39 inclusive.

Wiring Connections



WARNING
All power must be switched off before connecting or disconnecting any plugs.



WARNING: Electromagnetic Compatibility (EMC)

It is necessary to ensure that the unit is wired up in accordance with the connection arrangements shown. For effective protection the user's electrical cabinet, the valve subplate or manifold and the cable screens should be connected to efficient ground points. In all cases both valve and cable should be kept as far away as possible from any sources of electromagnetic radiation such as cables carrying heavy current, relays and certain kinds of portable radio transmitters, etc. Difficult environments could mean that extra screening may be necessary to avoid the interference.

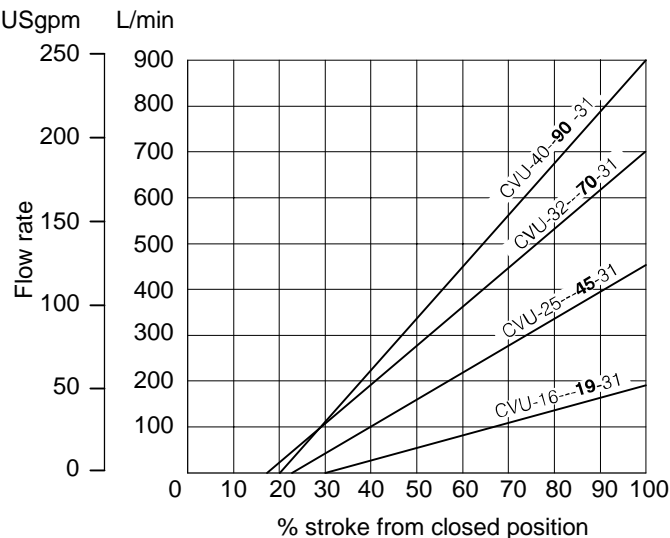
Operating and Performance Data Electrohydraulic Proportional Throttles

Performance data is typical with fluid at 36 cSt (168 SUS) and 50°C (122°F)

Pressure ratings: Ports A, B, X Port Y Cracking pressure: (see diagram on next page for valve area ratios) For flow A to B For flow B to A	315 bar (4500 psi) max. ≤2 bar (29 psi) 2,5 bar (36 psi) 6,5 bar (94 psi)																								
Flow ratings A to B/B to A	See Model Code 8 on previous page																								
Spool overlap, deadband typical CVU-16 CVU-25 CVU-32 CVU-40	30% of full stroke 23% of full stroke 18.5% of full stroke 20% of full stroke																								
Peak solenoid current at 50°C (122°F) ambient Nominal Max.	2.2A (13.6W) 2.9A (18W)																								
Solenoid coil resistance at 20°C (68°F)	2.8Ω																								
Relative duty factor	Continuous rating (ED = 100%)																								
Electrical protection with plugs fitted	IEC 144 class IP 65																								
Dynamic performance (using amplifier EEA-PAM-571-A-32) • Step input response: valve stroke between zero overlap and fully open 100 bar (1450 psi) at ports A, B and X Opening time Closing time • Frequency response • Hysteresis • Repeatability	<table border="1"> <thead> <tr> <th>CVU-16</th> <th>CVU-25</th> <th>CVU-32</th> <th>CVU-40</th> </tr> </thead> <tbody> <tr> <td>40 ms</td> <td>60 ms</td> <td>80 ms</td> <td>125 ms</td> </tr> <tr> <td>50 ms</td> <td>60 ms</td> <td>80 ms</td> <td>125 ms</td> </tr> <tr> <td colspan="4">See next page</td> </tr> <tr> <td><1%</td> <td><1%</td> <td><1%</td> <td><1%</td> </tr> <tr> <td>±0.5%</td> <td>±0.5%</td> <td>±0.5%</td> <td>±0.5%</td> </tr> </tbody> </table>	CVU-16	CVU-25	CVU-32	CVU-40	40 ms	60 ms	80 ms	125 ms	50 ms	60 ms	80 ms	125 ms	See next page				<1%	<1%	<1%	<1%	±0.5%	±0.5%	±0.5%	±0.5%
CVU-16	CVU-25	CVU-32	CVU-40																						
40 ms	60 ms	80 ms	125 ms																						
50 ms	60 ms	80 ms	125 ms																						
See next page																									
<1%	<1%	<1%	<1%																						
±0.5%	±0.5%	±0.5%	±0.5%																						
Mass	<table border="1"> <thead> <tr> <th>CVU-16</th> <th>CVU-25</th> <th>CVU-32</th> <th>CVU-40</th> </tr> </thead> <tbody> <tr> <td>3,3 kg (7.3 lb)</td> <td>4,1 kg (9.0 lb)</td> <td>6,5 kg (14.3 lb)</td> <td>8,0 kg (17.7 lb)</td> </tr> </tbody> </table>	CVU-16	CVU-25	CVU-32	CVU-40	3,3 kg (7.3 lb)	4,1 kg (9.0 lb)	6,5 kg (14.3 lb)	8,0 kg (17.7 lb)																
CVU-16	CVU-25	CVU-32	CVU-40																						
3,3 kg (7.3 lb)	4,1 kg (9.0 lb)	6,5 kg (14.3 lb)	8,0 kg (17.7 lb)																						

Flow/Stroke Characteristics

At Δp = 10 bar (145 psi)



For a given input signal value the characteristics of the valve approximate to the theoretical square-law relationship for sharp-edged orifices:

$$\Delta p_x = \Delta p_r \left(\frac{Q_x}{Q_r} \right)^2$$

Where Δp_x = Pressure drop for required flow rate Q_x
 Δp_r = Pressure drop at rated current

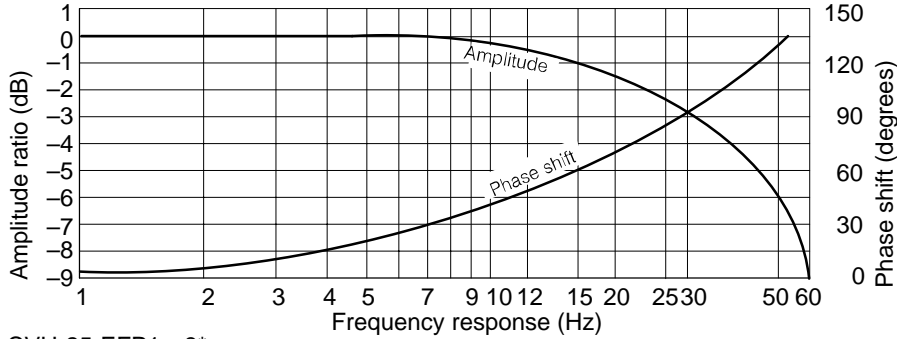
Q_x = Flow rate for which Δp_x is to be calculated

Q_r = Flow rate at rated current

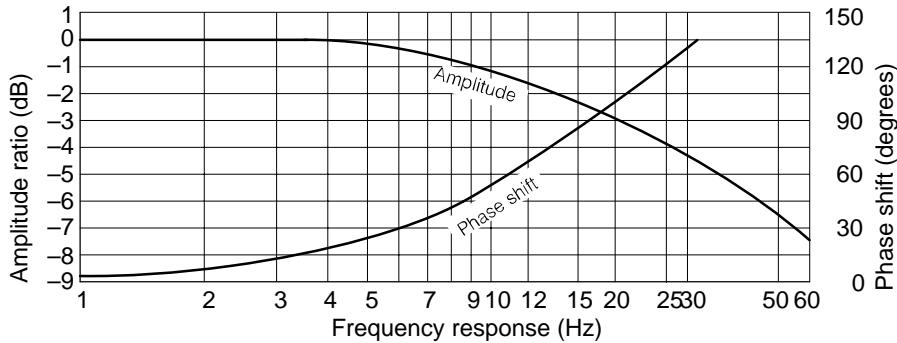
Frequency Response

Typical at $P_A = P_B = 100$ bar (1450 psi) and at zero flow.
Based on operating valve about the 50% stroke position with a sinusoidal input signal of $\pm 10\%$

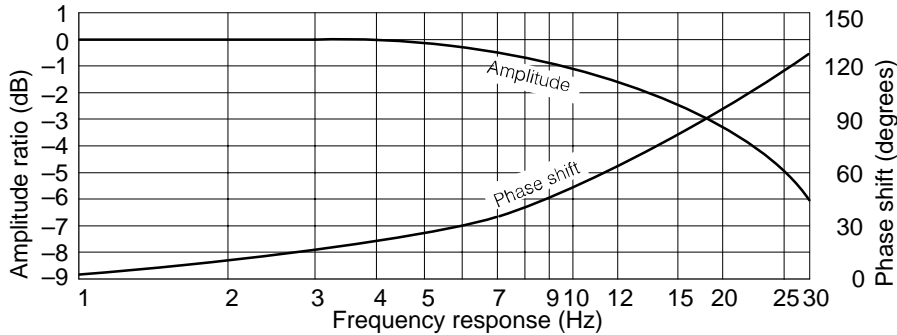
CVU-16-EFP1---3*



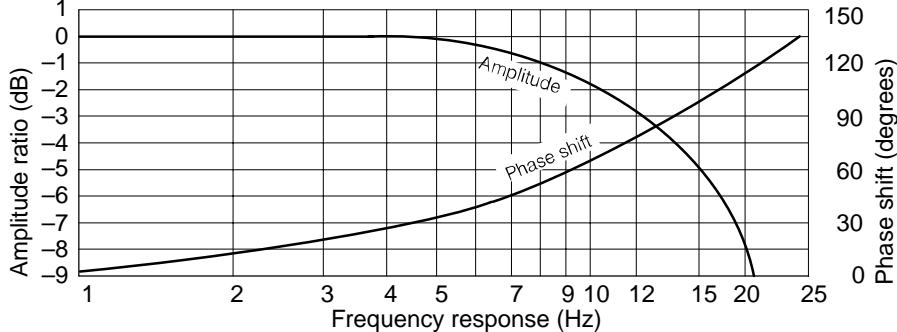
CVU-25-EFP1---3*



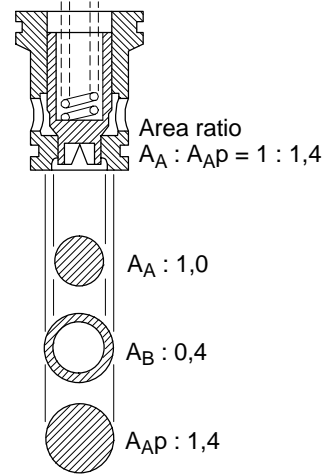
CVU-32-EFP1---3*



CVU-40-EFP1---3*



Valve Area Ratios



Hydraulic Fluids

All cartridge valves can be used with antiwear hydraulic oils, and certain low viscosity fluids. Add prefix "F3" to model designations when phosphate ester (not alkyl-based) or chlorinated hydrocarbons are to be used. The extreme viscosity range is from 500 to 13 cSt (2270 to 70 SUS) but the recommended running range is from 54 to 13 cSt (245 to 70 SUS). For further information about fluids, see "Technical information" leaflet B-920.

Temperature Limits

Ambient min. -20°C (-4°F)
Ambient max. +70°C (+158°F)

Fluid temperatures

	Petroleum oil	Water-containing
Min.	-20°C (-4°F)	+10°C (+50°F)
Max.	+80°C (+176°F)	+54°C (+129°F)

Filtration Requirements

See page 16.

Drive Amplifier

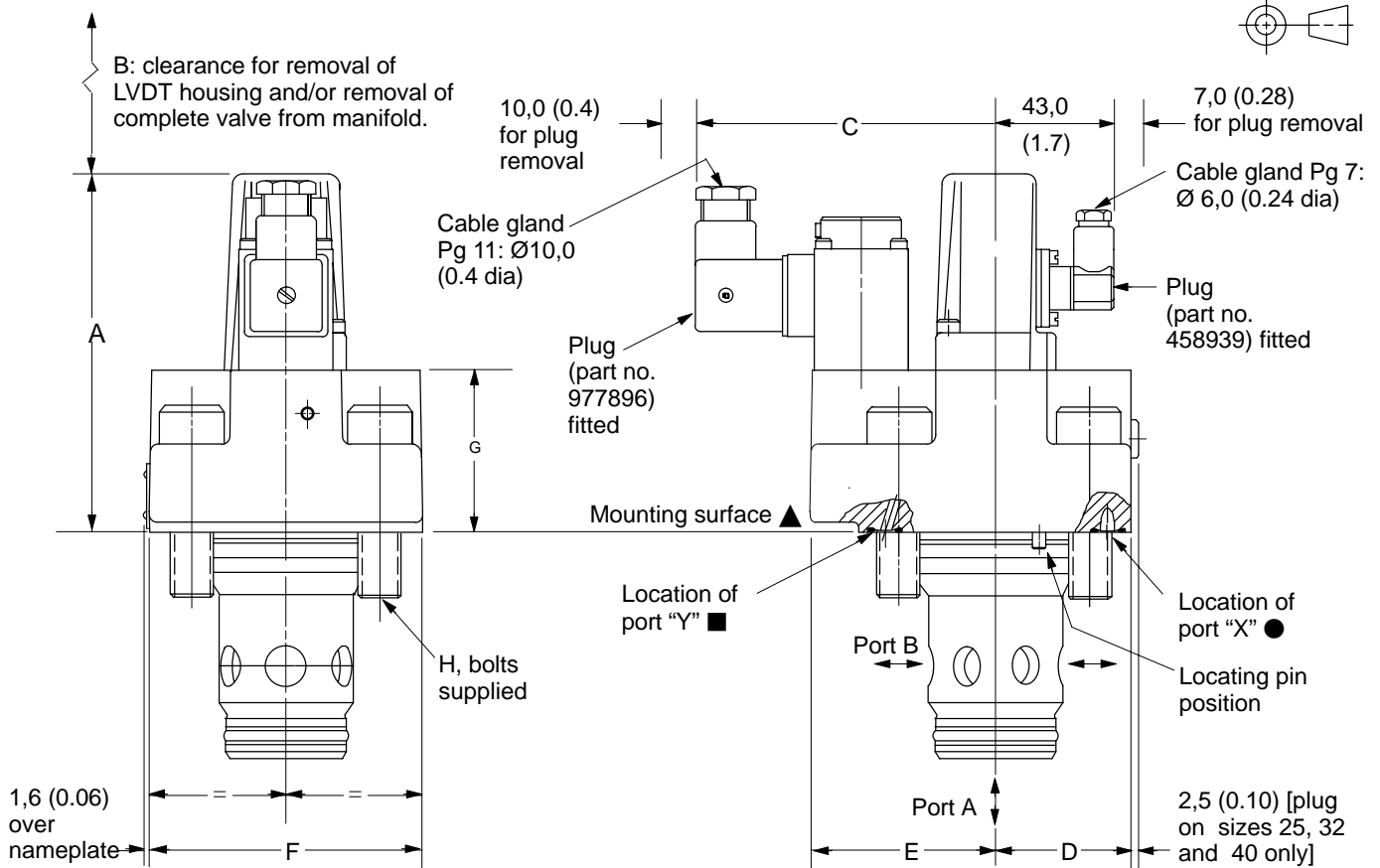
EEA-PAM-571-A. See GB-C-2464.

Other Supporting Products

See electronic accessories
GB-C-2460.

Electrohydraulic Proportional Throttles

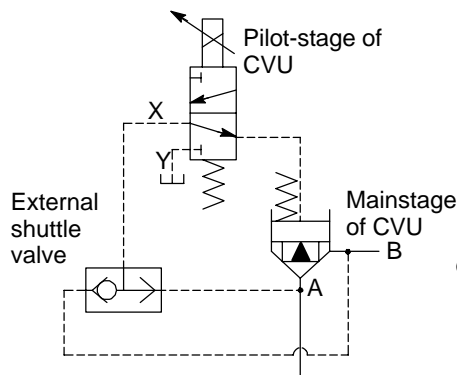
Dimensions mm (inch)



Connections to Port X

For **unidirectional** control of flow (ie A to B or B to A) port X must be connected to upstream port pressure.

For **bidirectional** control of flow (ie flow A to B and B to A at different times during an operating cycle) port X must be connected to **both** A and B via a shuttle valve (see diagram).



Dimension	CVU-16	CVU-25	CVU-32	CVU-40
A	135,5 (5.33)	133,5 (5.25)	138,5 (5.45)	138,5 (5.45)
B	74,0 (2.91)	77,0 (3.03)	90,5 (3.56)	109,5 (4.31)
C	109,5 (4.31)	105,5 (4.15)	113,5 (4.47)	105,5 (4.15)
D	32,5 (1.28)	42,5 (1.67)	51,0 (2.01)	63,0 (2.48)
E	70,0 (2.76)	65,5 (2.58)	69,0 (2.72)	63,0 (2.48)
F	66,6 (2.62)	85,0 (3.35)	102,0 (4.02)	126,0 (4.96)
G	57,0 (2.24)	55,0 (2.16)	60,0 (2.36)	60,0 (2.36)
H bolts	4 x M8 x 35	4 x M12 x 45	4 x M16 x 55	4 x M20 x 70
Bolt torque	35 Nm	110 Nm	285 Nm	500 Nm
Alternative UNC bolts (not supplied with CVU**-EFP1)				
Size	5/16"-18 x 1 1/2"	1/2"-13 x 1 1/2"	5/8"-11 x 2"	3/4"-10 x 2 3/4"
Bolt kit	BKDN16700	BKPNG25704	BKNG32713	BKCG825613
Bolt torque	26 lbf ft	81 lbf ft	210 lbf ft	370 lbf ft

○ Installation dimensions below mounting surface, including location of ports "X" and "Y" and size/length of bolts "H", conform to requirements of ISO 7368--A (see page 131).

■ Connect to drain: pressure must not exceed 2 bar (29 psi).

● See "Connections to Port X", this page.

Directional Valves with Electrical Indication

CVU-**-SWD, CVU-**-SWD3, CVU-**-ZSWD3, 1* Series

Basic Characteristics

Nominal sizes:	ISO 7368	DIN 24342
	06	NG16
	08	NG25
	09	NG32
	10	NG40
	11	NG50
	12	NG63

Max. pressure 315 bar (4500 psi)
Nominal flow ratings, $\Delta p = 10$ bar
(145 psi):

CVU-16	210 L/min (55 USgpm)
CVU-25	400 L/min (105 USgpm)
CVU-32	600 L/min (158 USgpm)
CVU-40	900 L/min (236 USgpm)
CVU-50	1600 L/min (420 USgpm)
CVU-63	2500 L/min (660 USgpm)

General Description

These cartridge valves are integral assemblies of cover and insert with a main spool that is fully seated in its closed position. A coaxially mounted switch on the top cover provides a signal when the main spool is in position to close the mainstream flow.

On all models a spring holds the main spool in the closed position, requiring a small pressure to create flow through the valve. Pilot pressure from either a remote source (SWD models), or from a valve mounted directly onto the cover (SWD3 models) can be used to hold the spool fully closed. The “Dynamic” models, ZSWD3, with pilot operation of both opening and closing, cater for applications requiring fast response.


Flow can be in either direction (i.e. A to B, and B to A).

The SWD(3) range is specifically designed for application in circuits and systems where electrical signalling of a known (closed) condition of the valve is required. The design of the main spool ensures that both switch indications, i.e. “valve closed” and “valve open”, occur when the valve is closed to mainstream flow.

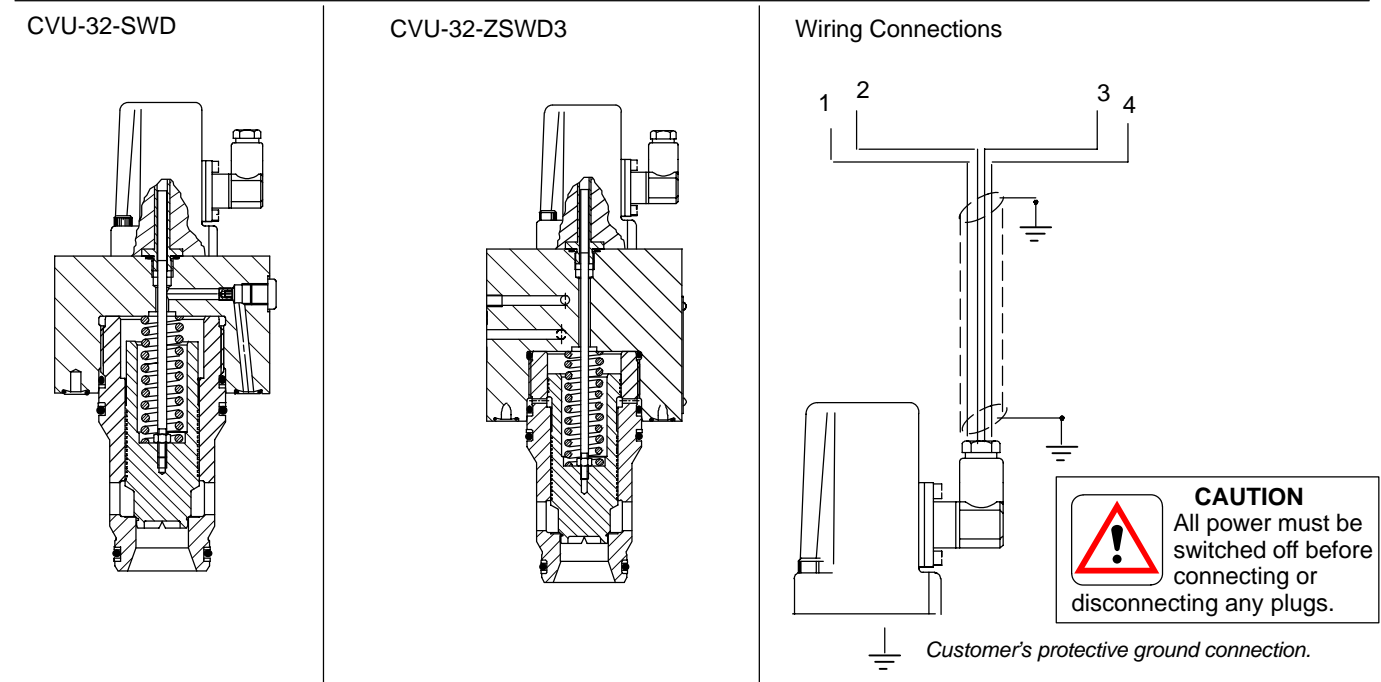
Features and Benefits

- Accurate and repeatable switching points.
- Integrated and pre-set switch assembly, with pressure-tight core tube, requires no setting adjustments to be made at installation.
- Bidirectional flow capability, simplifies manifold block design.
- “Dynamic” version ensures positive opening and closing.
- “Dynamic” version offers fast response times.
- Absence of spool seals improves reliability.
- Robustly protected switch assembly.
- Normally open and normally closed switch contacts.
- Overload and polarity protected.
- Conforms to ISO 7368.



This product has been designed and tested to meet specific standards outlined in the European Electromagnetic Compatibility Directive (EMC) 89/336/EEC, amended by 91/263/EEC, 92/31/EEC and 93/68/EEC, article 5. For instructions on installation requirements to achieve effective protection levels, see this leaflet and the Installation Wiring Practices for Vickers Electronic Products leaflet 2468. Wiring practices relevant to this Directive are indicated by  Electromagnetic Compatibility (EMC).

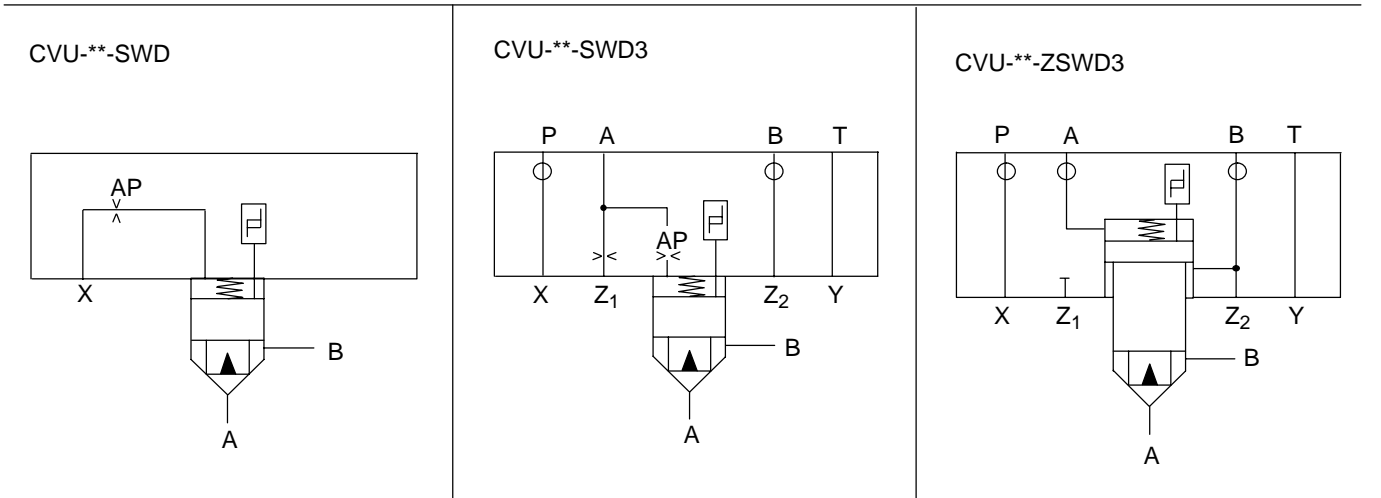
Typical Sectional Arrangements -



WARNING: Electromagnetic Compatibility (EMC)

It is necessary to ensure that the unit is wired up in accordance with the connection arrangements shown in this leaflet. For effective protection the user's electrical cabinet, the valve subplate or manifold and the cable screens should be connected to efficient ground points. In all cases both valve and cable should be kept as far away as possible from any sources of electromagnetic radiation such as cables carrying heavy current, relays and certain kinds of portable radio transmitters, etc. Difficult environments could mean that extra screening may be necessary to avoid the interference.

Functional Symbols

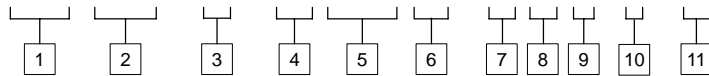


∧ Standard factory-fitted orifice.

○ Tapped port for installation of additional orifices.

Model Codes

(F3-) CVU - ** - (Z) SWD (3) - B 2 9 - * - 1*



1 Special Seals for phosphate ester fluids

Omit if not required

2 Model

CVU - Cartridge valve unit

3 Nominal size to ISO 7368 (DIN 24342)

- 16 - 06 (NG16)
- 25 - 08 (NG25)
- 32 - 09 (NG32)
- 40 - 10 (NG40)
- 50 - 11 (NG50)
- 63 - 12 (NG63)

4 Dynamic model

Sizes 16 to 40 only

Z - Pilot operation of main spool opening and closing, via size 3 pilot valve interface. Note: "3" must also be specified at position **6**.

Omit if not required

5 Type

SWD - Spool position sensor, series D

6 Function

Sizes 16, 25, 32 and 40 only:

Blank - Spring return of main spool to closed position plus facility to hold spool closed by hydraulic pressure from a remote source.

Sizes 16 to 63 - SWD3

Sizes 16 to 40 - ZSWD3

3 - As above but with machined mounting pad, with M5 mounting bolt tappings, for size 3 pilot valve to provide for local hydraulic operation (e.g. solenoid operated directional valve, shuttle valve, pilot operated check valve, etc. according to circuit requirements)

Note: The pilot valve and its mounting bolts must be separately specified and ordered.

7 Threads on fitted plugs

B - G (BSPF) thread to ISO 228/1

8 Seals

2 - Seals to ISO 3601

9 Mounting bolts

9 - Metric bolts supplied with valve

10 Main spool opening/cracking nominal pressure

(Ports A and B)

L - 0,5 bar (7 psi)

M - 2,5 bar (36 psi)

H - 5,0 bar (72 psi)

11 Design number, 1* series

Subject to change. Installation dimensions unaltered for design numbers 10 to 19 inclusive.

Typical Model Selection

For applications requiring a valve for a flow rate of 400 L/min (105 USgpm) with remote pilot, main spool cracking pressure of 2,5 bar (36.3 psi) and metric bolts, select:

CVU-25-SWD-B29-M-10

For applications requiring electrical indication of spool position for a flow rate of 1600 L/min (420 USgpm) with integral pilot operation, main spool cracking pressure of 5,0 bar (72.5 psi) and UNC bolts, select:

CVU-50-SWD3-B29-H-10
bolt kit BKDNG50708

For applications requiring electrical indication of spool position with hydraulic pilot operation for opening and closing, a flow rate of 600 L/min (158 USgpm), main spool cracking pressure of 0,5 bar (7.3 psi) and metric bolts, select:

CVU-32-ZSWD3-B29-L-10

Operating Data

Maximum Pressures

All ports: 315 bar (4500 psi)

Actual allowable pressure for some or all ports may be limited by the pressure rating of the selected pilot valve to be used on SWD3 models.

Flow rates

Flow direction A to B, or B to A, with main spool piloted open and at 10 bar (145 psi) pressure drop between A and B.

- CVU-16 210 L/min (55 USgpm)
- CVU-25 400 L/min (105 USgpm)
- CVU-32 600 L/min (158 USgpm)
- CVU-40 900 L/min (236 USgpm)
- CVU-50 1600 L/min (420 USgpm)
- CVU-63 2500 L/min (660 USgpm)

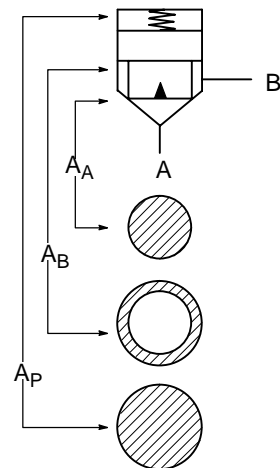
See pressure drop graphs for further data.

Area Ratios

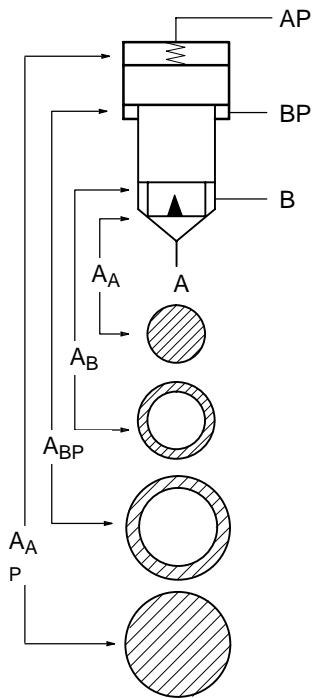
CVU-**-SWD

CVU-**-SWD3

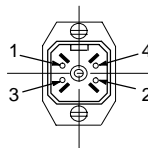
A_A: A_B: A_P
1 : 1 : 2



CVU-**-ZSWD3
 A_A:A_B:A_{BP}:A_{AP}
 1: 1:0.4:2.4



Characteristics of Electrical Switch

Input: Supply voltage Current, switch open Current, switch closed	+10 to +35V DC inclusive of a max. 4V peak-to-peak ripple 5 mA 255 mA
Output: Max. continuous current Voltage Min. load impedance Max. switching frequency	250 mA 1V below input at max. load 96 ohms 10 Hz
Plug connections: Pin 1 (output 1) Pin 2 Pin 3 Pin 4 (output 2)	 Normally open Supply positive 0V Normally closed
Protection	Overload and short-circuit protected; self re-setting IEC 947 class IP65 with connector correctly fitted
Mechanical: Switching hysteresis Repeatability Temperature drift of switching point Connector	<0,15 mm (0.006 in) <0,02 mm (0.001 in) ≤3 μm/°C (0.0002 in/°F) Pg 7 fitted

Switching Positions Relative to Main Spool Position

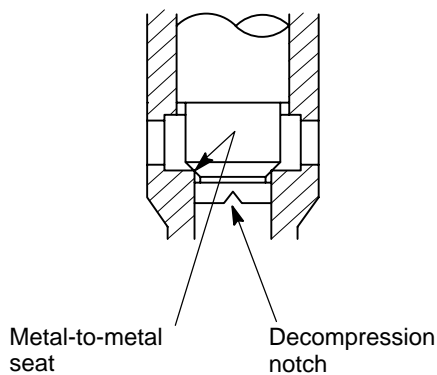


Figure 41

Figure 41: Valve fully closed by hydraulic pilot pressure and/or spring. Spool is fully seated in the sleeve.

Figure 42: When the spool is closing the "valve closed" switch indication occurs 0,5 mm (0.020") before the spool reaches the valve seat.

When the spool moves off its seated position the "valve open" indication occurs when the spool has travelled approx. 0,6 mm (0.024").

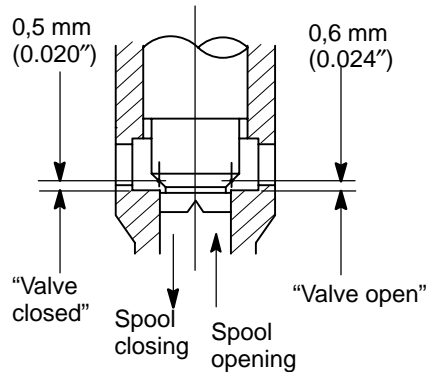


Figure 42

At both of these positions the main flow path A–B is closed. There is a small amount of spool travel between these switching points and the decompression notch opening/closing.

The clearance between the spool end and the "A" port diameter is closely controlled to minimize leakage flow at the "valve open" switch point, see "Quiescent Flow" on next page.

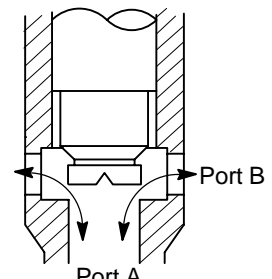


Figure 43

Figure 43: The fully open spool allows full flow path A to B, or B to A.

Performance Data Directional Valves with Electrical Indication

Typical with oil at 21 cSt (102 SUS) and at 50°C (122°F) unless otherwise indicated. For pressure drops at other viscosities, see page 127.

Quiescent Flow

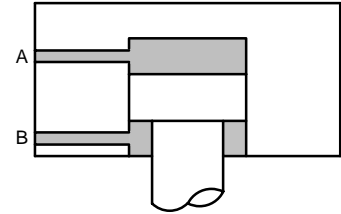
These valves are fully seated in the closed position.

Maximum flow A to B, or B to A (at the “valve open” switch indication position, see Figure 42 on previous page), at 100 bar (1450 psi) pressure differential A to B (or from B to A):

Valve size	Max. leakage flow rate:	
	L/min.	(USgpm)
16	2,0	(0.53)
25	3,0	(0.8)
32	4,0	(1.06)
40	6,0	(1.6)
50	12,0	(3.2)
63	18,0	(4.8)

Displacement volumes, ZSWD3 models

Total trapped volumes (up to size 3 mounting face) and displaced volumes for spool opening and closing stroke.



Volumes in cm³ (in³)

Nominal size	At port A:		At port B:	
	Total vol. spool closed	Stroke vol.	Total vol. spool open	Stroke vol.
16	6,44 (0.39)	2,05 (0.13)	2,45 (0.15)	0,43 (0.03)
25	13,59 (0.83)	4,73 (0.29)	4,40 (0.27)	0,95 (0.06)
32	27,49 (1.68)	11,79 (0.72)	6,69 (0.41)	2,29 (0.14)
40	44,34 (2.70)	21,38 (1.30)	9,92 (0.61)	4,23 (0.26)

Hydraulic Fluids

These valves are suitable for use with hydraulic oils, water-in-oil emulsions and water glycols.

The extreme operating range is from 500 to 13 cSt (2270 to 70 SUS) but the recommended running range is 54 to 13 cSt (245 to 70 SUS).

Temperature Limits

Ambient:

Minimum - 20°C (-4°F)

Maximum +80°C (+176°F)

Fluid temperature

	Petroleum oil	Water-containing
Min.	-10°C (+14°F)	+10°C (+50°F)
Max.*	+80°C (+176°F)	+54°C (+129°F)

* To obtain optimum service life from both fluid and hydraulic system, 65°C (150°F) is the recommended maximum fluid temperature, except for water-containing fluids.

For synthetic fluids consult fluid manufacturer or Vickers where limits are outside those for petroleum oil.

Filtration Requirements

See page 18.

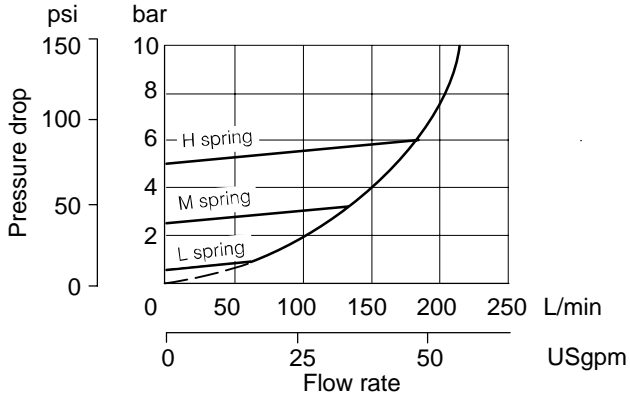
Mounting Attitude

Unrestricted.

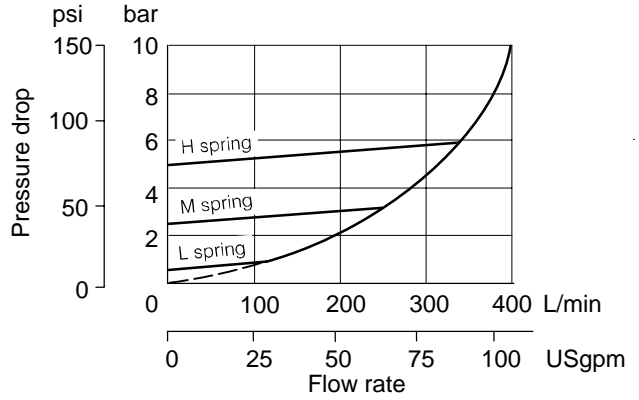
Pressure Drops

Flow in either direction: A to B, or B to A

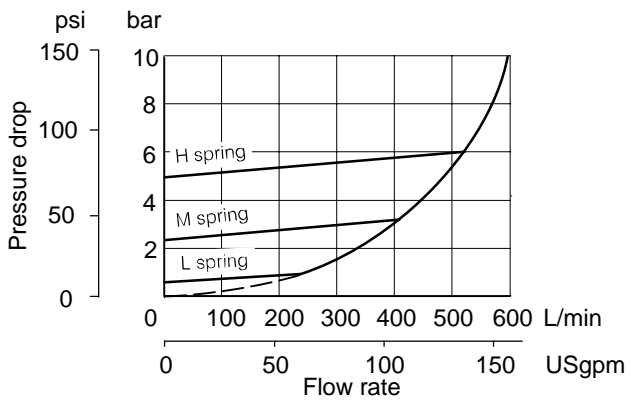
CVU-16-(Z)SWD(3)



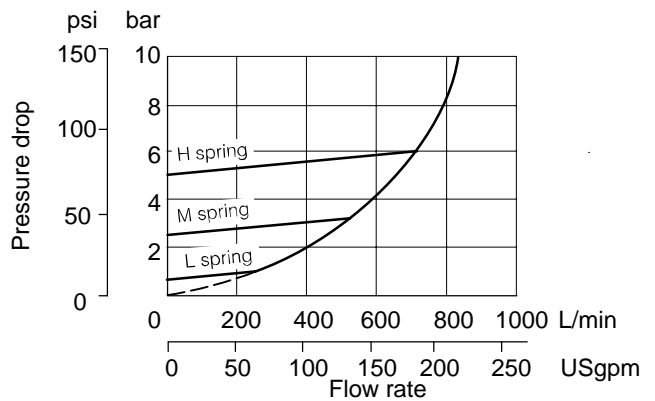
CVU-25-(Z)SWD(3)



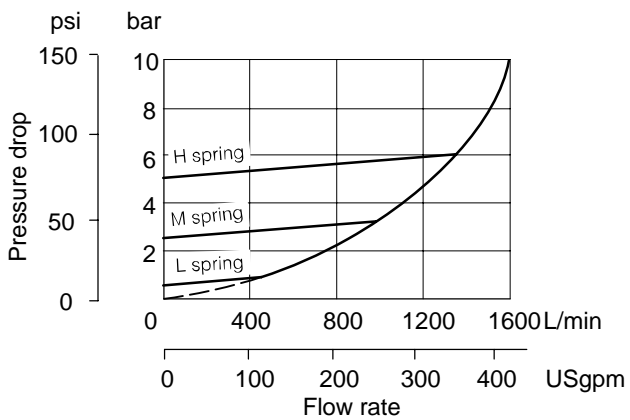
CVU-32-(Z)SWD(3)



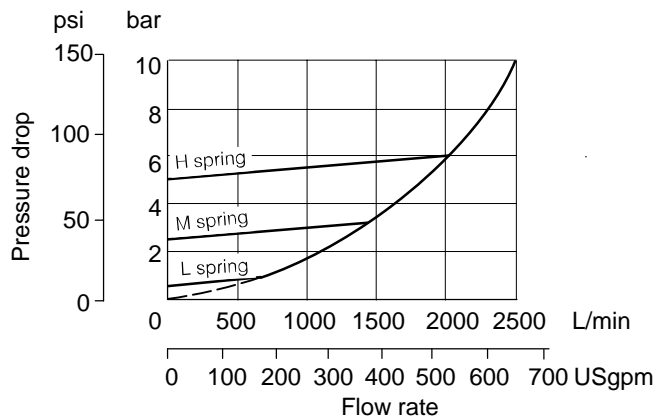
CVU-40-(Z)SWD(3)



CVU-50-SWD3



CVU-63-SWD3



Standard, Factory Fitted Orifices

Standard orifices fitted in model types SWD and SWD3 are sized to optimize valve dynamics with low shock characteristics over a wide range of system parameters. In model types CVU-**-SWD3 provision for orifice Z₁ caters for additional tuning. If it is necessary to change the size of orifice AP then consult your Vickers representative for information on correct dismantling and re-assembly procedures.

CVU-**-SWD Models

Nominal size	Orifice AP, port X in side of cover	
	Diameter, mm (inches)	Thread
16	1,0 (0.039)	M6
25	1,2 (0.047)	M6
32	1,4 (0.055)	M6
40	1,4 (0.055)	M6

CVU-**-SWD3 Models

Nominal size	Orifice AP:		Orifice Z ₁ :	
	Diameter, mm (inches)	Thread	Diameter, mm (inches)	Thread
06 (NG16)	1,4 (0.055)	M5	1,0 (0.039)	M5
08 (NG 25)	1,6 (0.063)	M6	1,2 (0.047)	M6
09 (NG 32)	2,0 (0.079)	M6	1,4 (0.055)	M6
10 (NG 40)	2,0 (0.079)	M6	1,4 (0.055)	M6
11 (NG 50)	2,2 (0.087)	M6	1,6 (0.063)	M6
12 (NG 63)	2,5 (0.098)	M6	1,8 (0.071)	M10

CVU-**-ZSWD3 Models

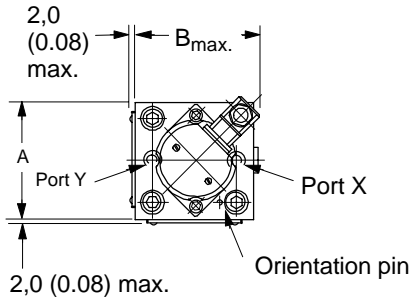
Nominal size	Orifice locations AP, X, Z ₂	
	Diameter, mm (inches)	Thread
06 (NG16)	No standard orifices fitted	M6
08 (NG 25)		
09 (NG 32)		
10 (NG 40)		

Directional Valves with Electrical Indication

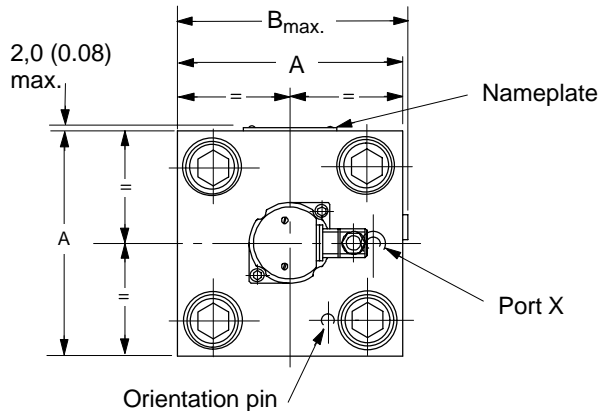
CVU-**-SWD-B29-**-1* Models

Sizes 16 to 40

Dimensions mm (inch)

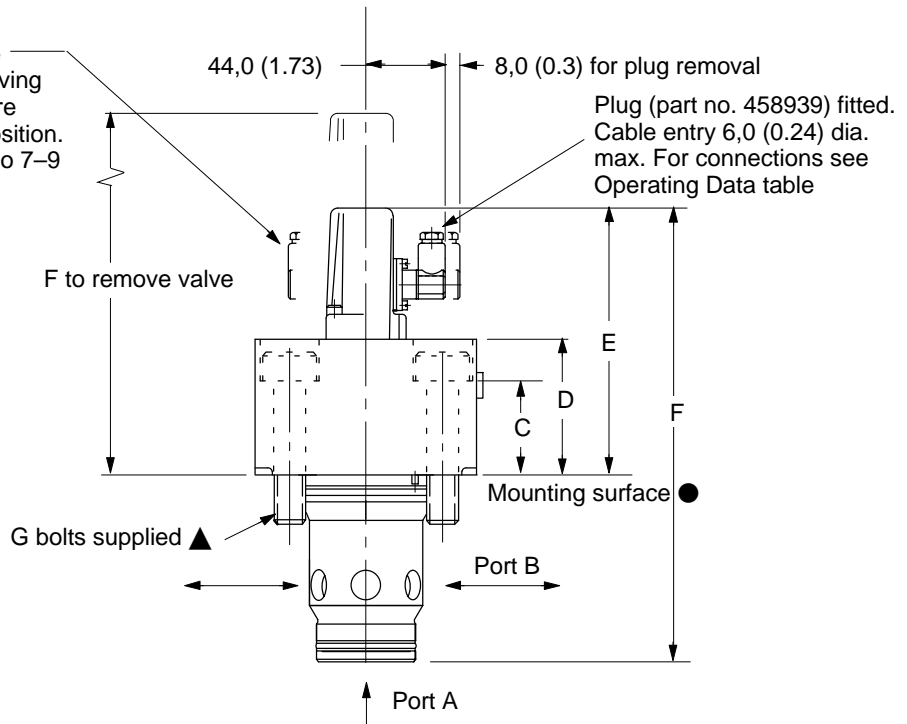


View showing orientation of switch and plug on CVU-16-SWD model



View showing orientation of switch and plug on CVU-25/32/40-SWD models

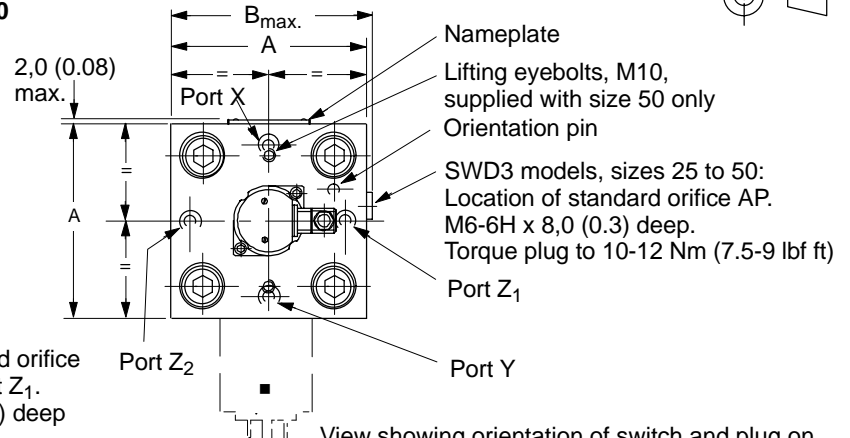
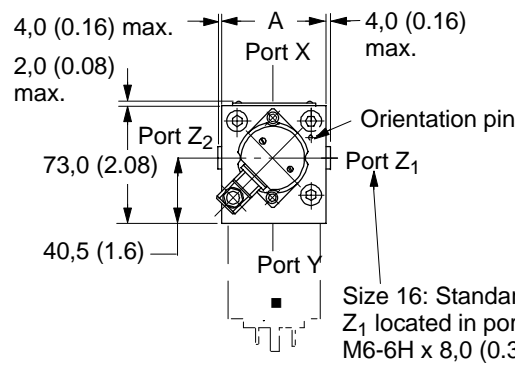
Orientation of plug may be changed by 180° by removing switch housing bolts before rotating housing to new position. Replace bolts and torque to 7–9 Nm (5.2–6.6 lbf ft)



Dimension	CVU-16-SWD	CVU-25-SWD	CVU-32-SWD	CVU-40-SWD
A	65,0 (2.6)	85,0 (3.35)	102,0 (4.02)	125,0 (4.92)
B	69,0 (2.72)	90,0 (3.54)	106,5 (4.2)	130,0 (5.12)
C	26,0 (1.02)	25,0 (0.98)	47,0 (1.89)	49,0 (1.93)
D	40,0 (1.58)	60,0 (2.36)	65,0 (2.56)	70,0 (2.76)
E	118,5 (4.67)	141,25 (5.56)	143,5 (5.65)	148,5 (5.85)
F	173,9 (6.85)	210,1 (8.27)	228,2 (8.98)	253,0 (9.96)
G bolts ▲	4 x M8 x 40	4 x M12 x 45	4 x M16 x 75	4 x M20 x 80
Bolt torque Nm (lbf ft)	35 (26)	110 (81)	285 (210)	500 (370)

- For details of equivalent inch/UNC bolts see page 108.
- Installation dimensions below mounting surface, including location of port "X" and size/length of bolts "G", conform to requirements of ISO 7368---A (see page 131).

CVU--SWD3-B29-*⁻¹* models, sizes 16 to 50**
CVU--ZSWD3-B29-*⁻¹* models, sizes 16 to 40**
 Dimensions mm (inch)



View showing orientation of switch and plug on CVU-16-(Z)SWD3 models

View showing orientation of switch and plug on CVU-**-SWD3 models sizes 25 to 50 and CVU-**-ZSWD3 models sizes 25 – 40

Orientation of plug may be changed by 180° by removing switch housing bolts before rotating housing to new position. Replace bolts and torque to 7–9 Nm (5.2–6.6 lbf ft)

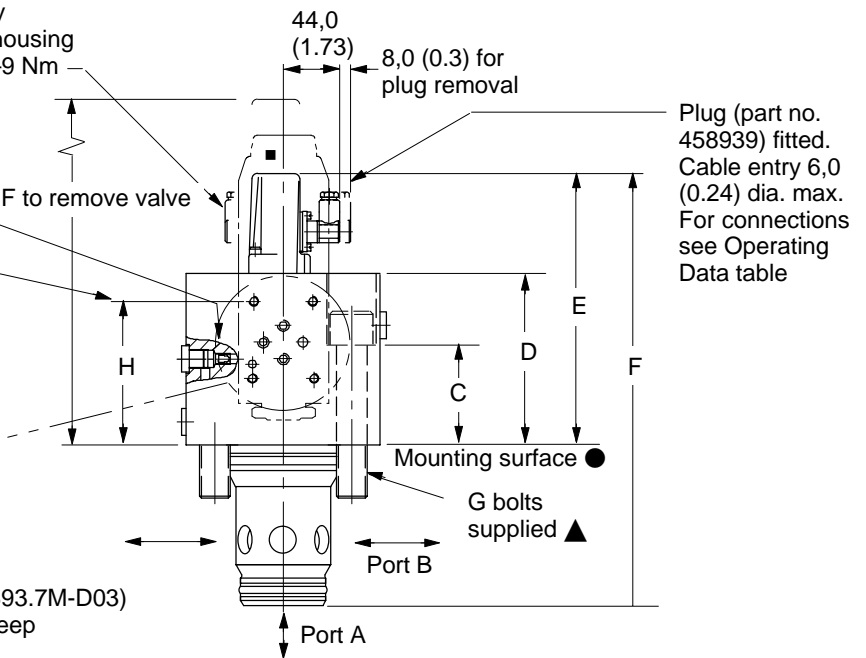
Sizes 25 to 50:
 Location for optional orifice Z₂.
 M6-6H x 8,0 (0.3) deep:
 Torque plug to 20–24 Nm (15–18 lbf ft)

Datum mounting bolt position of size 03 interface

Location for optional orifice X.
 M6-6H x 8,0 (0.3) deep

Size 16 only:
 Location for optional orifice Z₂.
 M6-6H x 8,0 (0.3) deep

Interface to ISO 4401 size 03 (ANSI/B93.7M-D03)
 4 holes tapped M5-6H x 12,0 (0.47) deep



Dimension	CVU-16-(Z)SWD3	CVU-25-(Z)SWD3	CVU-32-(Z)SWD3	CVU-40-(Z)SWD3	CVU-50-SWD3
A	73,0 (2.87)	85,0 (3.35)	102,0 (4.02)	125,0 (4.92)	142,5 (5.61)
B	75,5 (2.97)	90,0 (3.54)	106,5 (4.2)	130,0 (5.12)	147,0 (5.79)
C	82,5 (3.25)	54,0 (2.13)	72,0 (2.83)	55,0 (2.16)	42,0 (1.65)
D	90,0 (3.54)	90,0 (3.54)	90,0 (3.54)	100,0 (3.94)	100,0 (3.94)
E	168,5 (6.63)	168,5 (6.63)	168,5 (6.63)	178,5 (7.03)	178,5 (7.03)
F	223,9 (8.81)	240,0 (9.45)	253,2 (9.97)	282,8 (11.13)	300,0 (11.81)
G bolts ▲	4 x M8 x 100	4 x M12 x 75	4 x M16 x 100	4 x M20 x 75	4 x M20 x 75
Bolt torque					
Nm (lbf.ft)	35 (26)	110 (81)	285 (210)	50 (370)	580 (430)
H	75,5 (3.0)	75,5 (3.0)	75,5 (3.0)	80,0 (3.1)	80,0 (3.1)
J	70,5 (2.76)	90,0 (3.54)	106,5 (4.2)	130,0 (4.9)	145,0 (5.7)

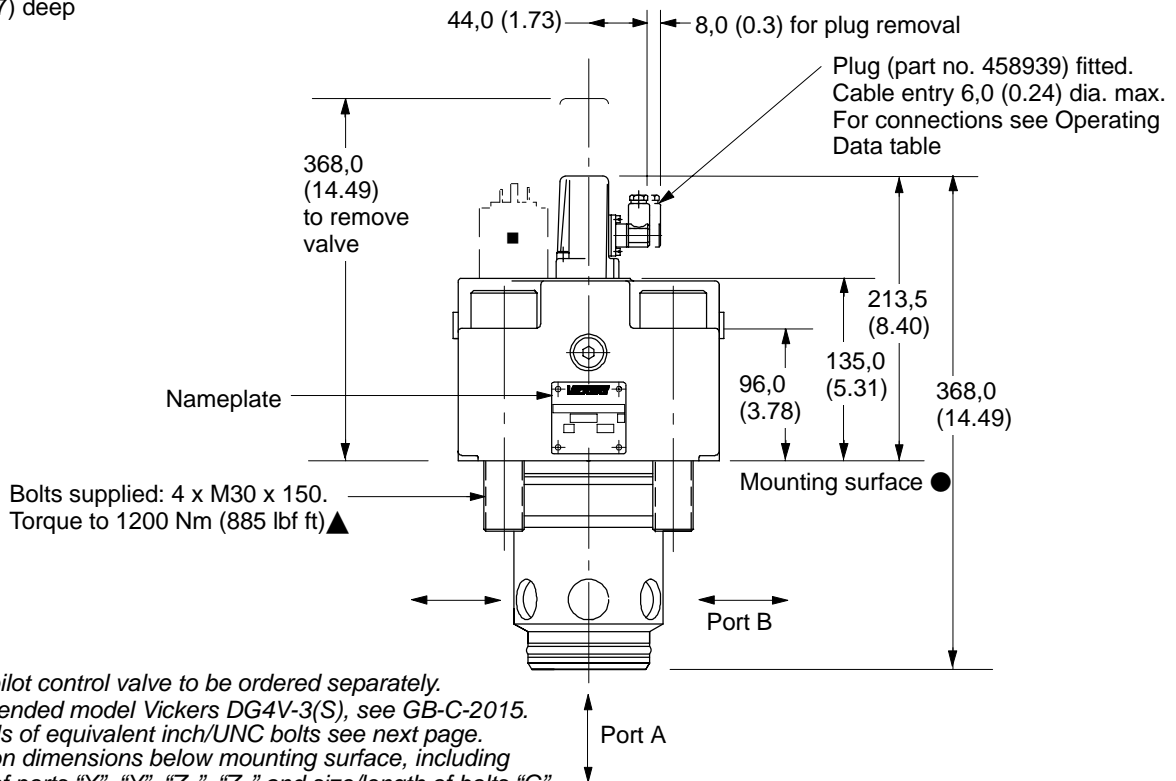
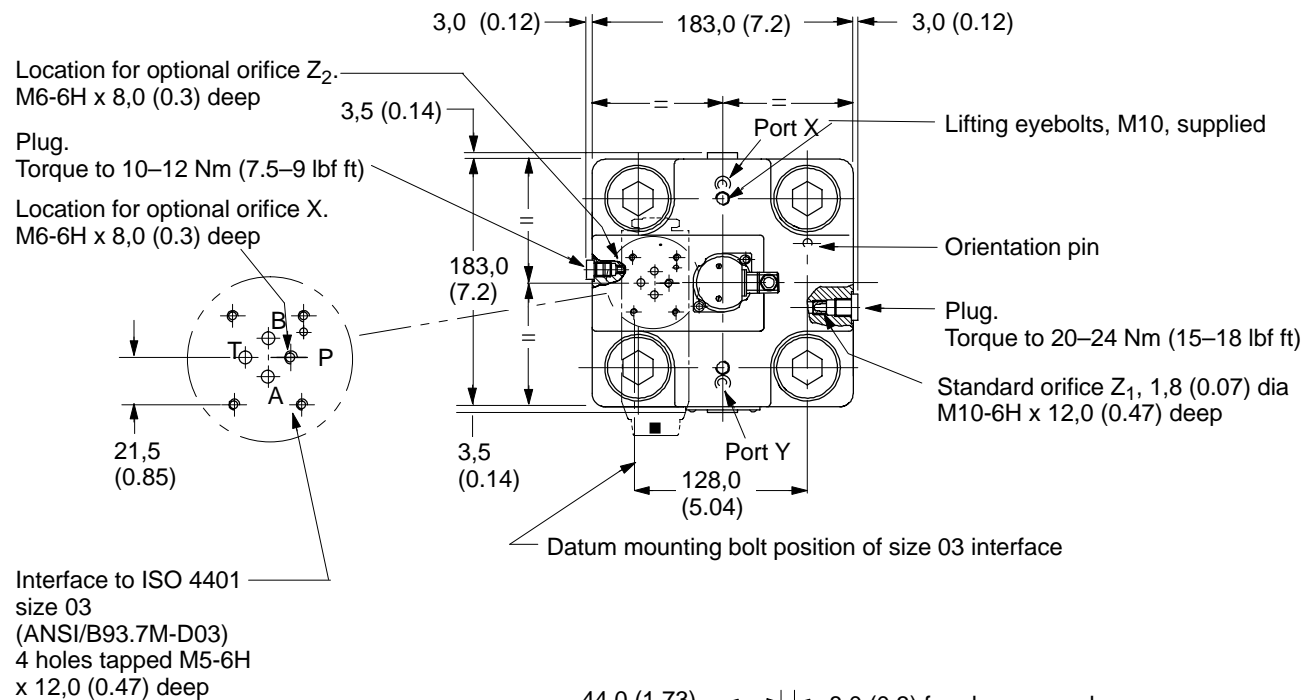
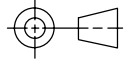
▲ Size 03 pilot control valve to be ordered separately. Recommended model Vickers DG4V-3(S), see GB-C-2015.

■ For details of equivalent inch/UNC bolts see page 108.

● Installation dimensions below mounting surface, including location of ports "X", "Y", "Z₁", "Z₂" and size/length of bolts "G", conform to requirements of ISO 7368--A (see page 131).

CVU-63-SWD3-B29*-1* Models

Dimensions mm (inch)



- ▲ Size 03 pilot control valve to be ordered separately.
Recommended model Vickers DG4V-3(S), see GB-C-2015.
- For details of equivalent inch/UNC bolts see next page.
- Installation dimensions below mounting surface, including location of ports "X", "Y", "Z₁", "Z₂" and size/length of bolts "G", conform to requirements of ISO 7368---A (see page 131).

Mounting Bolts/Torques

Metric mounting bolts are supplied with these valves (see installation drawings for details and torques). The following table gives details of equivalent UNC bolts which must be to Grade 12.9 (ISO 898) or stronger.

Model	Bolt details	Recommended length	Vickers bolt kit no.	Torque to lbf ft
CVU-16-SWD	5/16"–18 UNC	1 1/2"	BKDNG16700	26
CVU-16-(Z)SWD3	5/16"–18 UNC	3 3/4"	On request	26
CVU-25-SWD	1/2"–13 UNC	1 3/4"	On request	81
CVU-25-(Z)SWD3	1/2"–13 UNC	3"	BKCGV06603	81
CVU-32-SWD	5/8"–11 UNC	3"	BK1015	210
CVU-32-(Z)SWD3	5/8"–11 UNC	4"	BKFG06646	210
CVU-40-SWD	3/4"–10 UNC	3 1/4"	On request	370
CVU-40-(Z)SWD3	3/4"–10 UNC	3 1/2"	BKCG10616	370
CVU-50-SWD3	3/4"–10 UNC	3"	BKDNG50708	430
CVU-63-SWD3	1 1/4"–7 UNC	5 3/4"	On request	885

Mass

Valve complete with 4 mounting bolts; pilot valve not included in SWD3 models.

Model	Mass	
	kg	(lb)
CVU-16-SWD	1,6	(3.4)
CVU-16-(Z)SWD3	3,3	(7.3)
CVU-25-SWD	3,5	(7.7)
CVU-25-(Z)SWD3	4,9	(10.8)
CVU-32-SWD	5,75	(12.3)
CVU-32 (Z)SWD3	7,25	(16.0)
CVU-40-SWD	9,6	(21.2)
CVU-40-(Z)SWD3	12,3	(27.0)
CVU-50-SWD3	15,7	(34.7)
CVU-63-SWD3	37,9	(83.4)

Spare Seal Kits

Seal kits for sizes 16, 25, 32 and 40 cover all model types SWD, SWD3 and ZSWD3 (also proportional throttles type EFP1; see page 93) and may contain redundant seals for a particular model designation.

Ordering Procedure

Order by model code and quantity. Note that size 03 pilot valves for mounting on to SWD3 and ZSWD3 models (and their mounting bolts) must be ordered separately.

Nominal size	Vickers seal kit model code: Standard seals	"F3" seals
CVU-16-(Z)SWD(3)	02-157167	02-157168
CVU-25-(Z)SWD(3)	02-157536	02-157537
CVU-32-(Z)SWD(3)	02-157165	02-157616
CVU-40-(Z)SWD(3)	02-157679	02-157680
CVU-50-SWD3	02-157675	02-157676
CVU-63-SWD3	02-157677	02-157678

Special Function Valves

General Information

Special function cartridge valves are:

- 1:0.25 area ratio cartridge for low pressure relief and
- Directional function model CV**-**-C025

This section of the catalog includes circuitry for applying hydrostat functions to flow control throttles, using standard cartridge relief components and control modules.

1:0.25 Area Ratio Cartridge: Sizes 16 to 40

This cartridge arrangement has a 1:0.25 area ratio and operates with a pilot flow entering at X, the pilot flow rate being governed by the integral pressure compensated flow control. See Figure 44. Pilot flow passes out of Z₁ to an appropriate pilot relief valve which creates pressure on the top of the pilot piston. This means the main valve will open at, and maintain, a pressure at A of 25% of pilot pressure.

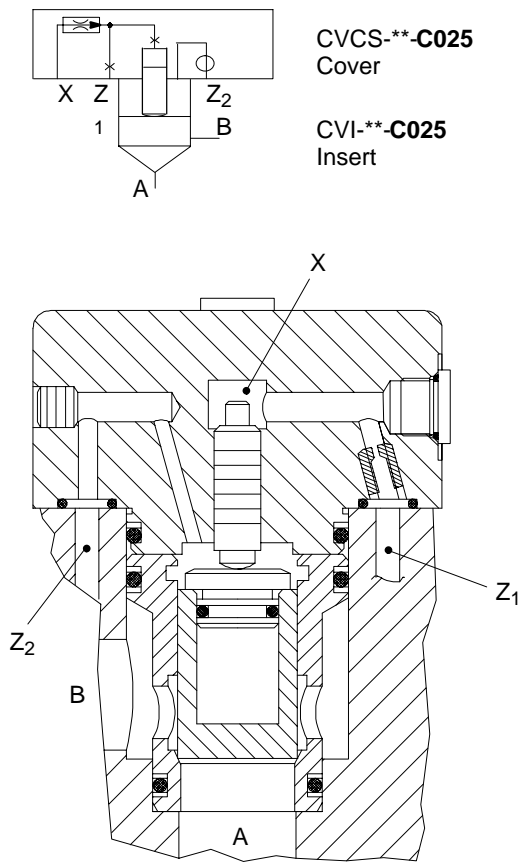
When used with an electrohydraulic proportional pressure control (connected to Z₁ port), pressures as low as 1,5 bar (22 psi) are controllable at port A, making it ideal for plastics injection molding machine applications. The area ratio of the large piston to sleeve seat is 1:1.1. The Z₁ port should never be blocked; doing so could result in pressure intensification at this port.

This low pressure relief valve can also be used as a directional control back pressure valve, or as a blocking valve.

When the back pressure function is operational, port Z₂ must be drained to the reservoir. The valve can be locked shut by applying at Z₂ a pressure greater than any at A.

The following models are available; insert and cover are ordered separately:

Cover	Insert
CVCS-16-C025-*2(9)-10	CVI-16-C025-40
CVCS-25-C025-*2(9)-10	CVI-25-C025-40
CVCS-32-C025-*2(9)-10	CVI-32-C025-40
CVCS-40-C025-*2(9)-10	CVI-40-C025-40



Typical Application Plastics Injection Molding

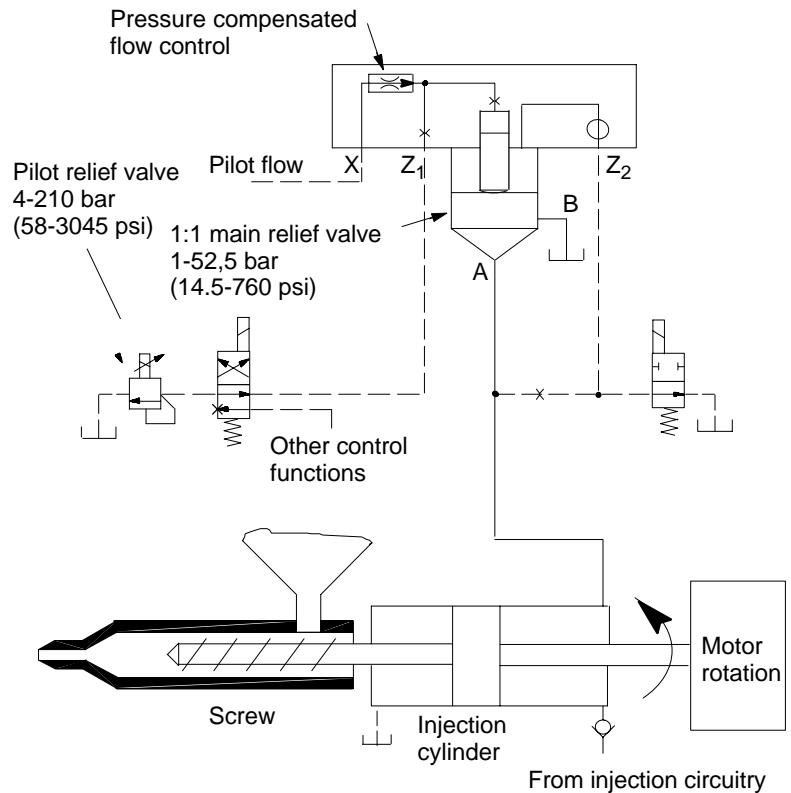


Figure 44

Normally Open Prefill Valve: Sizes 25, 32, 40 and 63

Normally open cartridge valves require an external pilot signal to close the valve against system pressure. This valve range is ideally suited for applications requiring a prefill valve or decompression valve.

The main spool consists of a sleeve with a sharp edged seat and a piston. A spring holds the piston in the open position. Pressure at control port X forces the poppet against the spring to close the valve.

Sizes 25, 32, 40

Area ratios are defined as 1:1.05.
Pressure to close = 2,5 bar (36.3 psi) + $P_A + 0.05 P_B$.

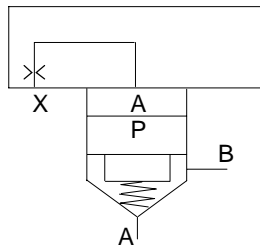
Size 63

Area ratios are defined as 1:1.1.
Pressure to close = 2,5 bar (36.3 psi) + $P_A + 0.1 P_B$.

Sizes 25, 32 and 40 are supplied as separate insert and cover:

Cover	Insert
CVCS-25-OD-*2(9)-10	CVI-25-OD105-40
CVCS-32-OD-*2(9)-10	CVI-32-OD105-40
CVCS-40-OD-*2(9)-10	CVI-40-OD105-40
Size 63 is supplied as a complete unit:	
CVU-63-OD11-B29-M-10	

Sizes 25, 32 and 40



CVCS-**-OD
Cover

CVI-**-OD105
Insert

Size 63

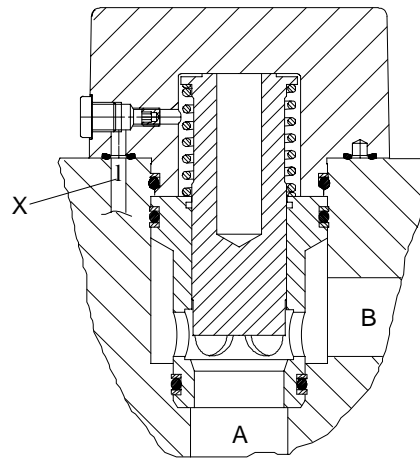
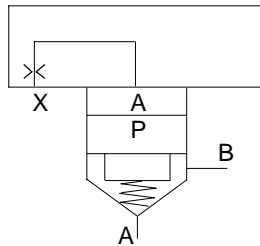


Figure 45

Hydrostat Functions for Use in Fixed Delivery Pump Systems

Where the flow rate through a throttle is required to be independent of variations in load and/or system pressure, a hydrostat function should be designed into the system. A 3-way, bleed-off hydrostat can be built from standard relief valve elements presented in this catalog. The adjacent diagrams, Figures 46, 47 and 48, show the circuitry of a 3-way hydrostat together with three control options.

Figure 46. The pressure drop across the proportional throttle can be varied by adjusting the setting of the pilot relief valve in the CVCS-**-C type cover (see page 47). Normally, with the flow rate through the proportional throttle being less than the pump delivery, excess pump flow will be by-passed through the cartridge insert (flow A to B) to reservoir.

Variations in load and/or system pressure will increase or decrease flow across the pilot relief valve, thereby causing the spool of the insert to move to either increase or decrease the by-pass flow to re-establish the correct differential pressure across the throttle.

A separate main system relief valve (not shown) should be provided for controlling the maximum system pressure.

Figure 47. The CVCS-**-C cover and CVI-**-D10 insert here act as the maximum pressure relief valve. A sensing line is taken from auxiliary port Z₁ to a separate module which controls the pressure differential.

Figure 48. By using a type CVCS-**-C1 or C3 cover (integral interface for size 3 pilot valve), a proportional pressure control valve KCG-3 allows the maximum pressure to be varied from a suitable electrical signal. A typical application would be where the final holding pressure on an actuator needs to be varied (e.g. curing/setting time).

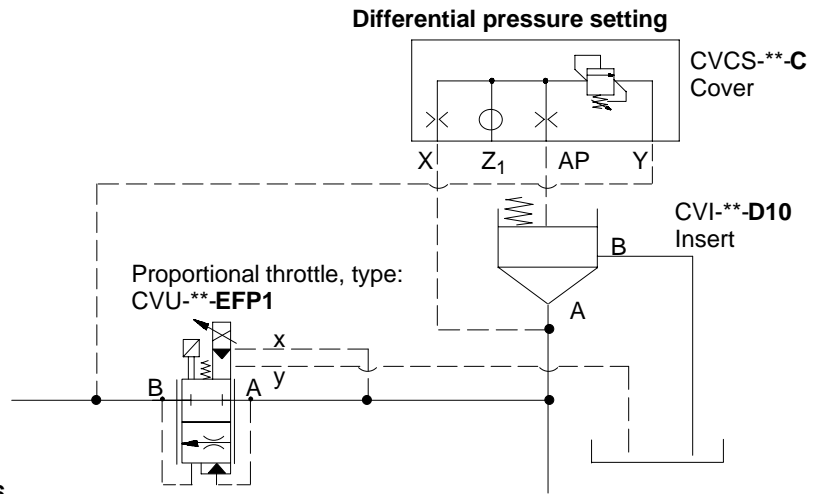


Figure 46

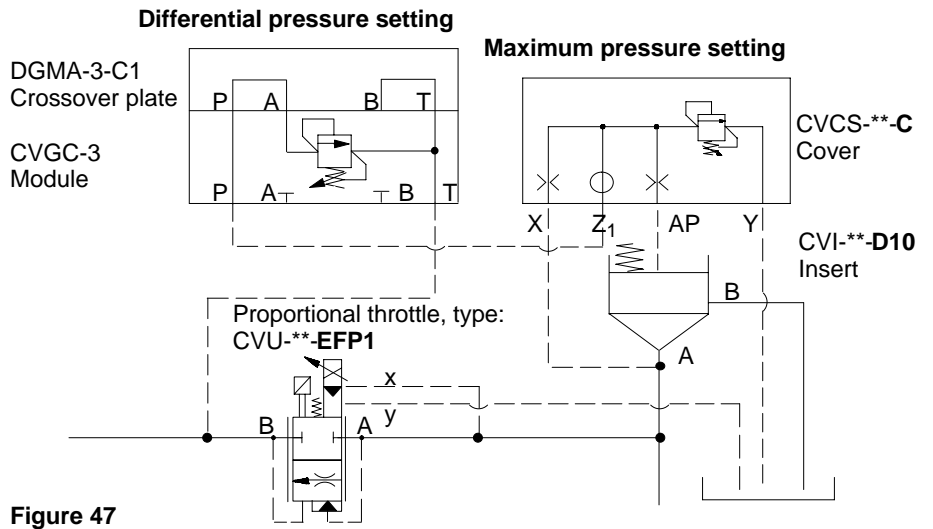


Figure 47

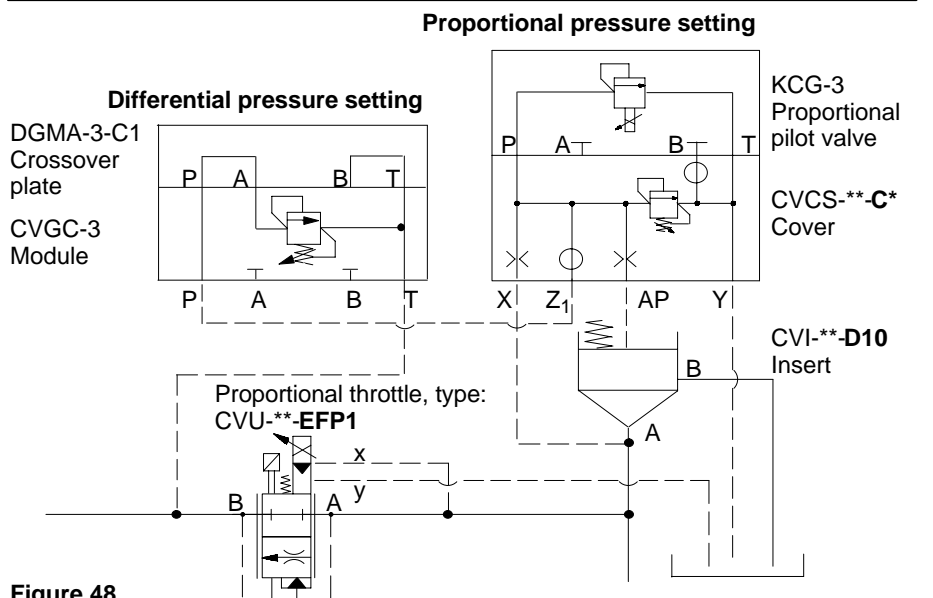


Figure 48

Model Codes Special Function Valves

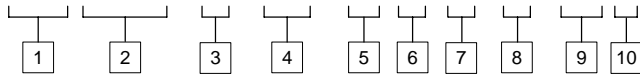
CVCS Covers

Vickers type “CVCS” cartridge covers featured in this catalog conform to installation requirements of ISO 7368 and DIN 24342. All features must be specified when ordering; those in brackets () are optional or apply only to specific models.

Metric Models

Metric bolt tappings and orifice threads; BSPF plugs. Mounting bolts supplied.

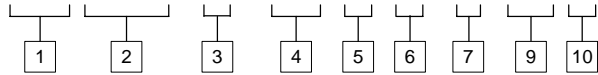
(F3-) CVCS - ** - **** - B 2 9 - 1* (-*** **)



Non-Metric Models

UNC bolt tappings; UNF orifice threads; SAE plugs; mounting bolts not supplied.

(F3-) CVCS - ** - **** - S 2 - 1* (-*** **)



1 Seal Material

F3 - Special seals. See “Fluids and Seals” on page 16.
Omit for standard seals.

2 Model

CVCS - Cartridge valve cover to ISO 7368

3 Nominal size to ISO 7368 (DIN 24342)

	Applicable to function type	
	C025	OD
16 - 06 (NG16)	●	—
25 - 08 (NG25)	●	●
32 - 09 (NG32)	●	●
40 - 10 (NG40)	●	●

4 Function

C025 - 1:0.25 ratio (used with insert type C025)
OD - Normally open (prefill)

5 Plugs and orifice threads

B - G (BSPF) threads for closure plugs; metric threads for orifices
S - SAE threads for closure plugs; UNF threads for orifices

6 Seals

2 - Inch O-ring seals to ISO 3601

7 Mounting bolts

9 - Metric mounting bolts supplied

8 Design number, 1* series

Subject to change. Installation dimensions unchanged for design numbers 10 to 19 inclusive.

See page 124 for sizes of factory-fitted standard orifices. Other orifice sizes and locations can be fitted by special arrangement with your Vickers representative. Non-standard orifice requirements should be defined as follows:

9 Pilot control orifice location

Specify port location for non-standard orifice, e.g. “AP”, followed by orifice size code, see 10. Repeat as necessary for further non-standard requirements.

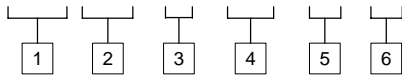
10 Orifice size

Specify non-standard orifice size code, see tables on page 125.

CVI Inserts

For availability of inserts by size and function, see page 5. All features must be specified when ordering; those in brackets () are optional.

(F3-) CVI - ** - **** - * - 4*



1 Seal Material

F3 - Special seals. See "Fluids and Seals" on page 16.
Omit for standard seals.

2 Model

CVI - Cartridge valve insert

3 Nominal size to ISO 7368 (DIN 24342)

Applicable to function type

CO25 **D105**

16 - 06 (NG16)	●	—
25 - 08 (NG25)	●	●
32 - 09 (NG32)	●	●
40 - 10 (NG40)	●	●

4 Function

C025 - 1:0.25 ratio (used with insert type C025)
OD105 - Normally open (prefill)

5 Cracking pressure, bar (psi)

Applicable only to type D10 for hydrostat function

J = 7,0 (102)

*Note: The J spring can only be used with cover type CVCS-**-H*.*

6 Design number, 4* series

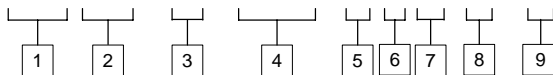
Subject to change. Installation dimensions unchanged for design numbers 40 to 49 inclusive.

Note: A nameplate is supplied with each insert for fixing to the cover to identify the insert in use.

CVU Unit

Available in one size/configuration only.

(F3-)CVU - 63 - OD11 - B 2 9 - M - 1*



1 Seal Material

F3 - Special seals. See "Fluids and Seals" on page 16.
Omit for standard seals.

2 Model

CVU - Cartridge valve unit

3 Nominal size to ISO 7368 (DIN 24342)

63 - 12 (NG63)

4 Function

OD11 - 1:1.1 ratio normally open (prefill)

5 Threads on fitted plugs

B -G (BSPF) thread to ISO 228/1

6 Seals

2 - Seals to ISO 3601

7 Mounting bolts

9 - Metric mounting bolts supplied

8 Cracking pressure, bar (psi)

M - 2,5 (36.3)

9 Design number, 1* series

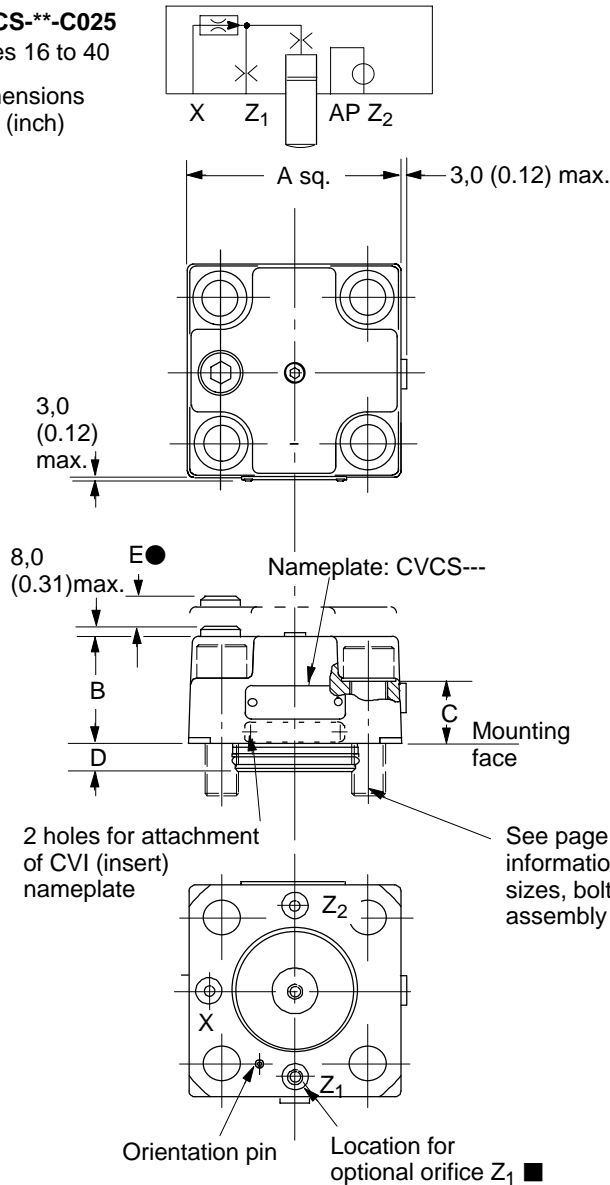
Subject to change. Installation dimensions unchanged for design numbers 10 to 19 inclusive.

Special Function Valves

CVCS-**-C025

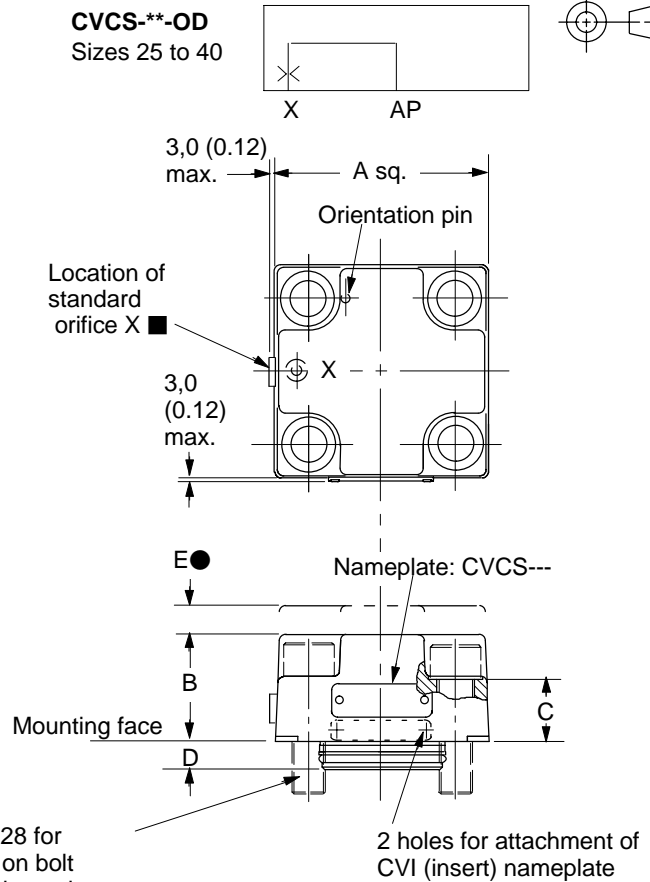
Sizes 16 to 40

Dimensions
mm (inch)



CVCS-**-OD

Sizes 25 to 40



CVU-63-OD11

Installation details of cover as for CVCS-**-OD models above, see table for relevant dimensions.

- Minimum clearance for removal of cover from manifold
- For thread sizes and orifice kits see page 124.

Size	A	B	C	D max. Tolerance -0,1 (0.004)	E	Location of nameplates	
						Type C025	Type OD
16	65,0 (2.56)	35,0 (1.38)	26,0 (1.02)	8,0 (0.315)	12,0 (0.47)	Side Z ₂	–
25	85,5 (3.37)	42,0 (1.65)	25,0 (0.98)	10,5 (0.413)	22,0 (0.90)	Side Z ₂	Side Z ₁
32	102,5 (4.04)	51,0 (2.01)	30,0 (1.18)	13,0 (0.512)	31,0 (1.22)	Side Z ₂	Side Z ₁
40	124,5 (4.90)	61,0 (2.40)	35,0 (1.38)	15,0 (0.591)	33,0 (1.30)	Side Z ₂	Side Z ₁
63	181,0 (7.12)	86,0 (3.38)	48,0 (1.89)	20,0 (0.787)	43,0 (1.70)	–	Side Z ₁

Sizes 80 and 100 Cartridge Valves

General Information

Three cover types and two insert types provide a range of check, directional and flow control functions for flows up to 5500 L/min (1450 USgpm).

The 80 and 100 sizes differ from the smaller sizes in that the cover is not located into the cavity. Sealing is both on the flat cover face and around the ring on the insert sleeve, see Figure 49.

The two inserts, types D16 and F, have area ratios of 1:1.6, see Figure 50.

Ratings

Maximum pressure - 350 bar (5000 psi)

Nominal flow based on 4 bar (58 psi) pressure drop for D16 insert. F insert will have lower flow rating:

Size 80 3500 L/min (925 USgpm)
 Size 100 5500 L/min (1450 USgpm)

Insert cracking (opening) pressures:

Code L 0,3 bar (4.4 psi)
 Code M 1,0 bar (14.5 psi)
 Code H 2,0 bar (29 psi)

Fluids and Seals

Fluorocarbon seals (F3) are standard for these two sizes.

Refer also to "Applications, Ratings and Characteristics", on page 16.

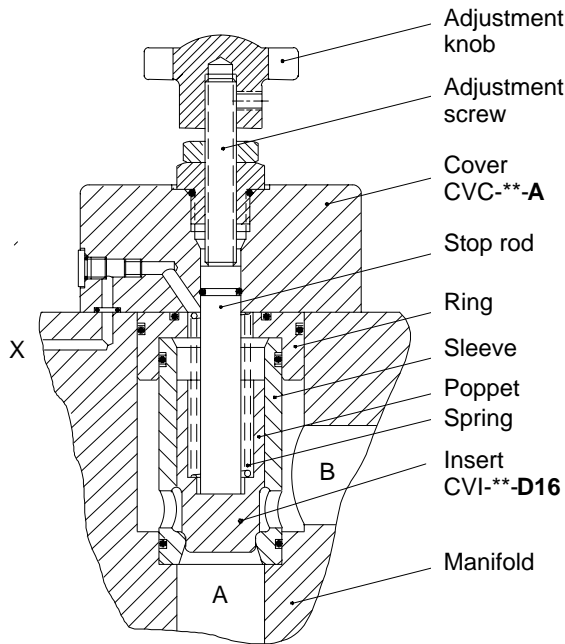


Figure 49

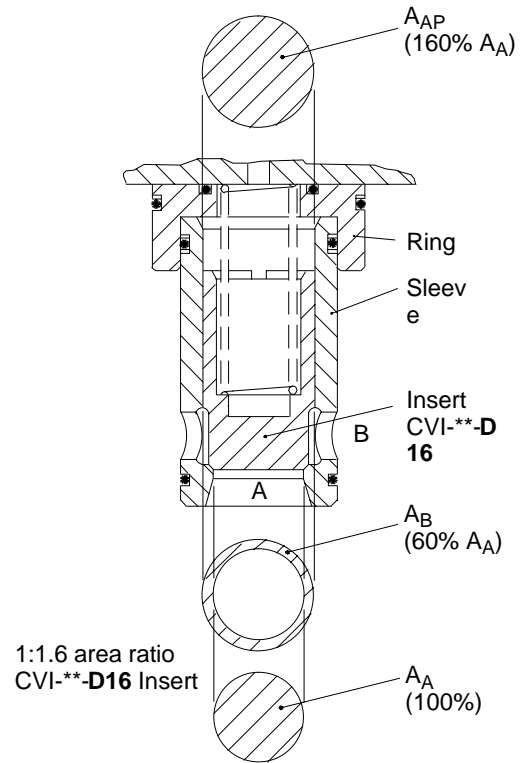


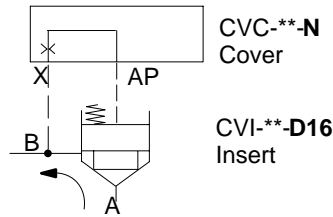
Figure 50

Functional Symbols

Sizes 80 and 100 Cartridge Valves

Basic Check Valve: Sizes 80 and 100

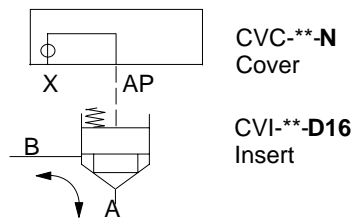
The standard directional cover (model code letter N), contains a pilot pressure passage which can be fitted with an orifice to control the poppet's opening and closing rate.



Used with the model D16 (1:1.6 area ratio poppet) insert, the combined cover and insert becomes a check valve. Port X in the cover is connected to port B in the insert. This allows free flow from insert port A to port B while blocking flow from B to A.

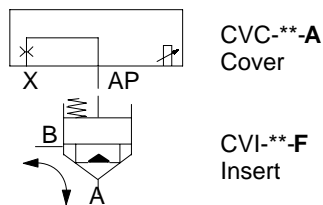
2-Way, 2-Position Function: Sizes 80 and 100

Using a model N cover with the D16 insert, can provide directional control of flow from insert port A to B or from B to A. Pressurizing port X from a remote source will block flow from insert port A and B. With X connected to B, system flow is from A to B. Flow will be from B to A if X is connected to tank or A.



Adjustable Stroke Limiter and Directional Functions: Sizes 80 and 100

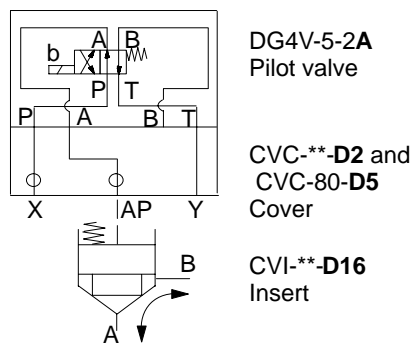
The stroke adjuster of the model A cover limits the opening of the type F insert poppet to restrict flow in either direction (A to B and B to A). Control is from pilot port X to which an orifice can be added to control opening/closing speed.



Single Solenoid Control: Sizes 80 and 100

A size 5 pilot valve can be mounted directly to the top face of the type D2 cover for control of opening and closing of the type D16 insert for flow in either direction, A to B, or B to A.

Type D5 is also available for size 80. Opening/closing speeds can be controlled by the fitting of orifices in AP and/or pilot port X.



Model Codes Sizes 80 and 100 Cartridge Valves

CVC Covers

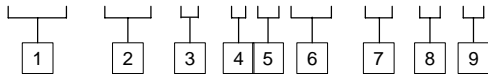
Vickers type "CVC" cartridge covers featured have different pilot port usage and pilot port orientation to type "CVCS".

For availability of covers by size and function see page 4. All features must be specified when ordering; those in brackets () are optional or apply only to specific models.

Non-Metric Models

UNC bolt tappings; UNF orifice threads; SAE plugs; mounting bolts not supplied.

CVC - * - * - * 2 (-*) - 1* - * - ***



1 Model

CVCS - Cartridge valve cover to ISO 7368

2 Nominal size to ISO 7368 (DIN 24342)

80 - 13 (NG80)
100 - 14 (NG100)

3 Function

A - Stroke adjuster (flow restrictor)
D2 - Directional with ISO 4401-05/NFPA D05 pilot valve interface, inch threads
D5 - Directional with ISO 4401-05/NFPA D05 pilot valve interface, metric threads. Size 80 only
N - Basic

4 Plugs and orifice threads

B - G (BSPF) threads for closure plugs; metric threads for orifices
S - SAE threads for closure plugs; NPTF threads for orifices

5 Seals

Fluorocarbon (F3) seals are standard
2 - Inch O-ring seals to ISO 3601

6 Adjuster device

For model type A
W - Wrench adjustment with hex. locknut
K - With handwheel

7 Design number, 1* series

Subject to change. Installation dimensions unchanged for design numbers 10 to 19 inclusive.

8 Special features

Blank - None
To be coded when applicable

9 Orifices

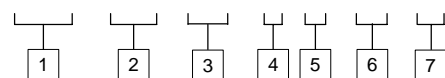
Blank - Standard orifices
To be coded when applicable

CVI Inserts

For availability of inserts by size and function see page 5.

All features must be specified when ordering; those in brackets () are optional or apply only to specific models.

CVC - * - *** - 2 - * - 1* - ***



1 Model

CVI - Cartridge valve insert

2 Nominal size to ISO 7368 (DIN 24342)

80 - 13 (NG80)
100 - 14 (NG100)

3 Function

D16 - 1:1.6 area ratio
F - 1:1.6 area ratio, flow restrictor

4 Seals

Fluorocarbon (F3) seals are standard
2 - Inch O-ring seals to ISO 3601

5 Cracking pressure, bar (psi)

L - 0,3 (4.4)
M - 1,0 (14.5)
H - 2,0 (29)

6 Design number, 1* series

Subject to change. Installation dimensions unchanged for design numbers 10 to 19 inclusive.

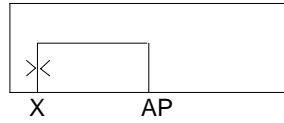
7 Special features

Blank - None
To be coded when applicable

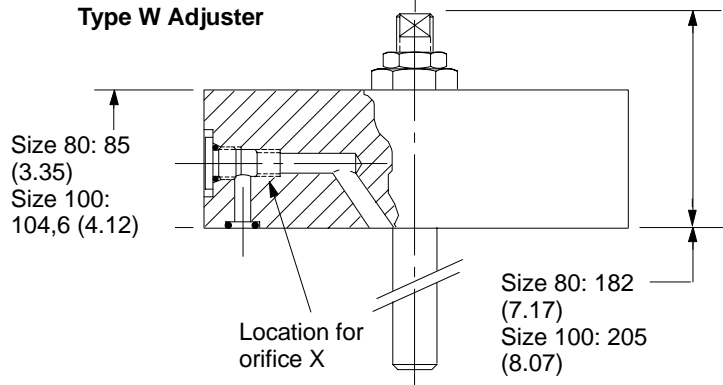
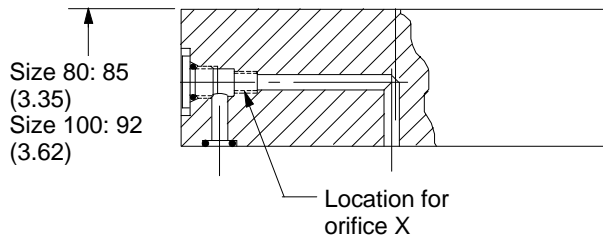
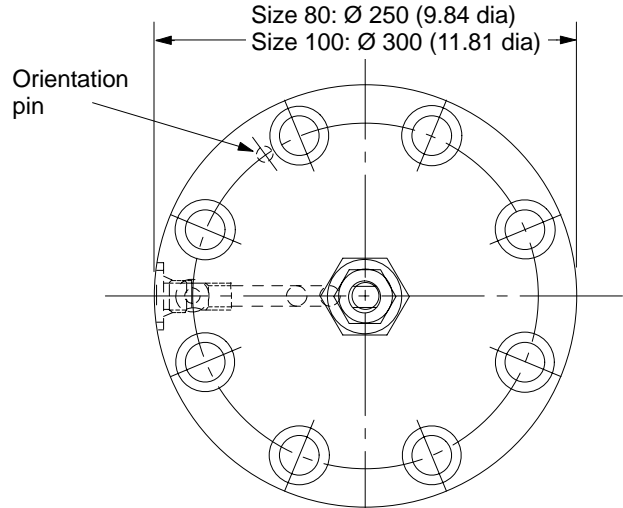
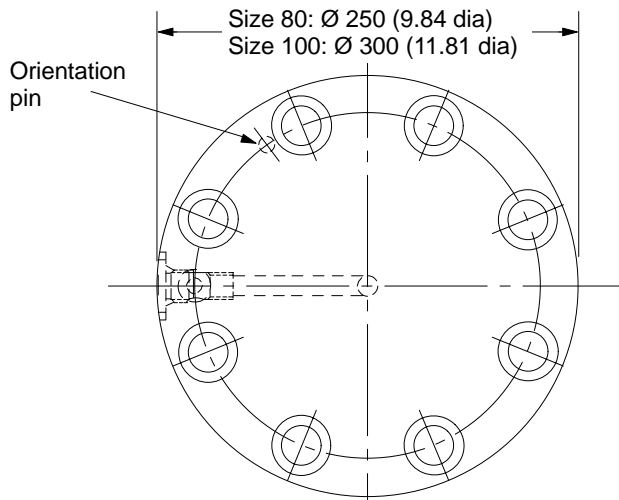
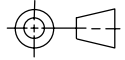
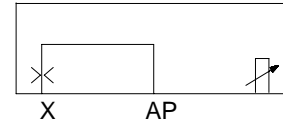
Sizes 80 and 100 Cartridge Valves

CVC-**-N

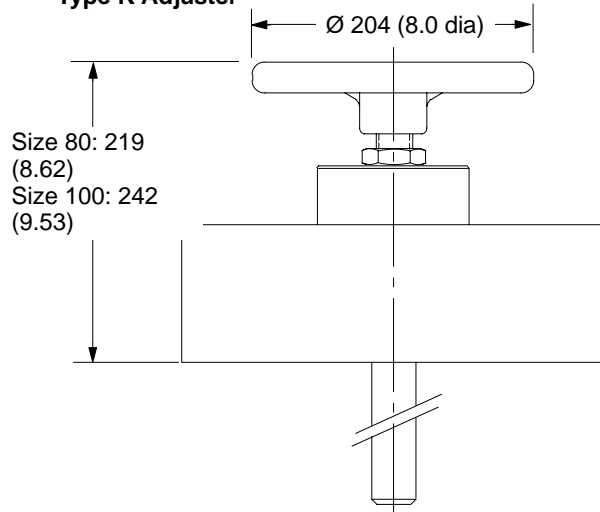
Dimensions
mm (inch)



CVC-**-A



Type K Adjuster



Mounting Bolts (8 req'd)

	Metric	Inch
Size 80	M24 x 90 Torque bolts to: 700 Nm (500 lbf ft) Bolt kit N/A	1"-8 UNC x 3.5" Torque bolts to: 700 Nm (500 lbf ft) Bolt kit 918420
Size 100	M30 x 100 Torque bolts to: 1350 Nm (950 lbf ft) Bolt kit N/A	1 1/8"-7 UNC x 4.0" Torque bolts to: 1350 Nm (950 lbf ft) Bolt kit 918423

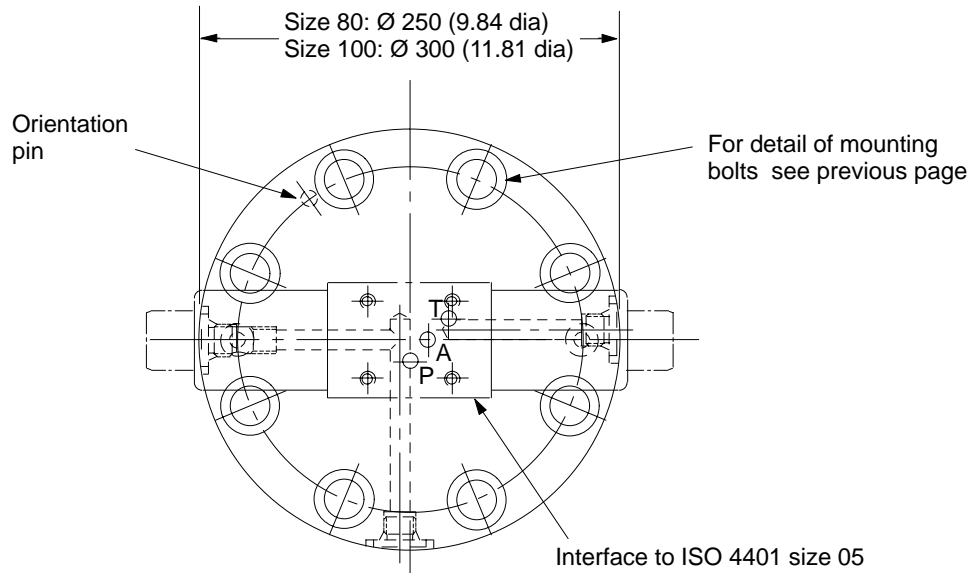
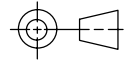
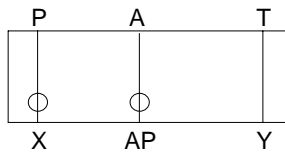
CVC--D2**

Sizes 80 and 100

CVC-80-D5

Size 80

Dimensions
mm (inch)



Interface to ISO 4401 size 05
(ANSI/B93.7M-D05)

Ports P, A, T only.

4 mounting holes tapped:

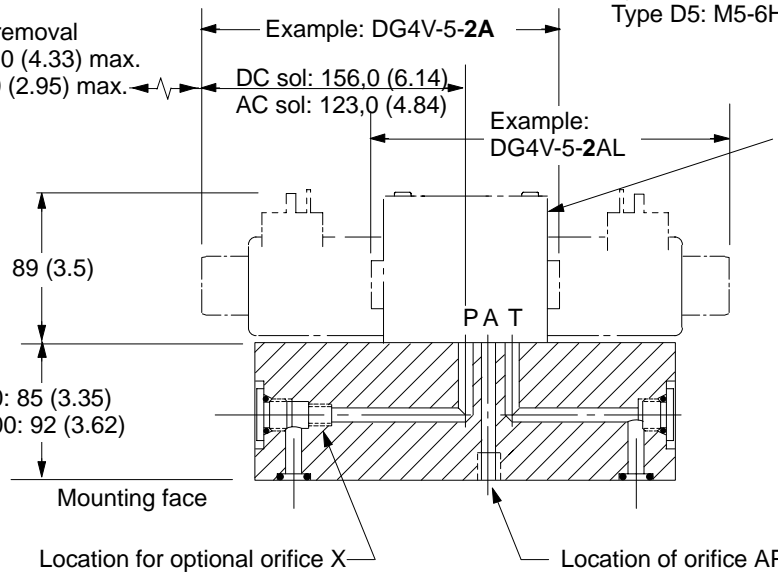
Type D2: $\frac{1}{4}$ "-20 UNC-2B x 16 (0.63) deep

Type D5: M5-6H x 12 (0.47) min. (Size 80 only)

For coil removal

DC: 110,0 (4.33) max.

AC: 75,0 (2.95) max.



Example: DG4V-5-2A

DC sol: 156,0 (6.14)

AC sol: 123,0 (4.84)

Example:
DG4V-5-2AL

Size 05 pilot control valve
to be ordered separately.

Typical Vickers model
DG4V-5, see GB-C-2281

DG4S4-01, see catalog 671 or
GB-C-2129

89 (3.5)

Size 80: 85 (3.35)

Size 100: 92 (3.62)

Mounting face

Location for optional orifice X

Location of orifice AP

Pilot Control Modules

Basic Characteristics

Max. pressure up to 350 bar(5000 psi)

Flow ratings:

CVGC-3
CVGCA-3
CVGCPA-3 } 5 L/min (1.3 USgpm) max.

CVGMS1-3
CVGS1-3
CVGPC1-3 } 10 L/min (2.6 USgpm)
at $\Delta p = 5$ bar (72 psi)

Mounting interface ISO 4401 size 03
(with additional orientation pin);
ANSI/B93.7M-D03

General Description

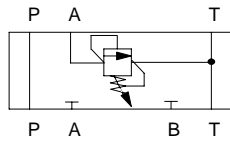
A range of pressure relief, shuttle and pilot operated check functions provide additional functions allowing pilot control circuitry to be directly mounted on to the size 03 mounting face of CVC(S) covers, either with, or independent of, a solenoid operated pilot valve. Their design and port connections are specific to their use in piloting cartridge valves.

These six modules were designed to satisfy the needs of Vickers application and systems engineers in providing effective solutions to a wide variety of pilot control requirements in cartridge valve systems.

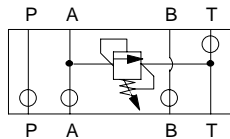
For other useful size 03 pilot control modules see Vickers SystemStak™ valves type DG**M-3, see GB-C-2027.

Functional Symbols

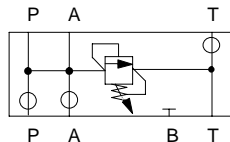
CVGC-3



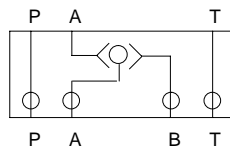
CVGCA-3



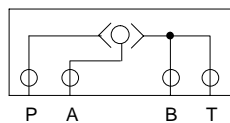
CVGCPA-3



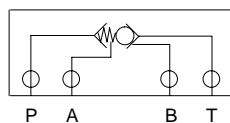
CVGMS1-3



CVGS1-3



CVGPC1-3



Application of Pilot Control Modules

The examples of uses for control modules shown on the next page are taken from actual applications, and serve to illustrate the types of control circuitry that can be built directly on to the size 03 interface of the cartridge valve covers.

For assistance with other possible applications for size 03 control modules, contact your Vickers representative .

Pressure Control with Remote Electrical Selection

Figures 51 and 56 show pressure relief functions based on the directional cover type D1/D3.

In Figure 51 the system is vented when the solenoid of the pilot valve is de-energized; when the solenoid is energized the system pressure is limited to the setting of the CVGCA-3 module.

In Figure 52 the system is vented when both solenoids of the pilot valve are de-energized. The maximum system pressure is set at the CVGCPA-3 module and selected by energizing solenoid "b". A lower pressure is set by the CVGC-3 module and selected by energizing solenoid "a".

Direction Control Options

Several direction control functions are possible by using the shuttle and pilot-operated check modules.

In Figure 53 the cartridge valve insert functions as a pilot-operated check valve. At all times flow is possible from A to B. Flow from B to A is possible only when port Z_2 is pressurized.

In Figure 54 flow is not possible from B to A. Flow from A to B is possible only when there is no pressure at port Z_2 ; the insert is locked closed when pressure is applied at port Z_2 .

In Figure 55 the solenoid-operated pilot control valve is mounted directly on to the control module. Flow A to B is possible only when the solenoid is energized. At no time is flow from B to A possible.

Figure 56: The addition of the pilot-operated check module CVGPC1-3 to the electrically monitored model type CVU.**-ZSWD3 adds a further degree of security to a gate guard control system. Pressure at port B holds the main spool tightly closed until an external pilot pressure is applied to port Z_2 . This pilot pressure unseats the pilot-operated check module to open AP to port Y, and at the same time opens the main poppet.

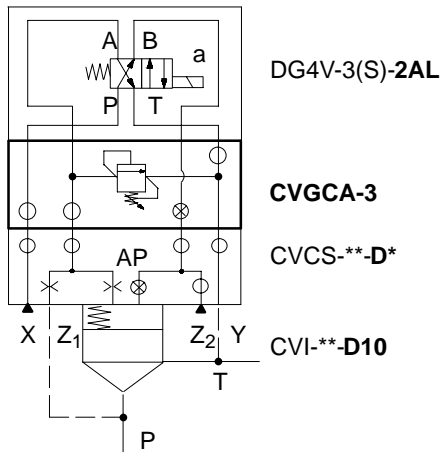


Figure 51

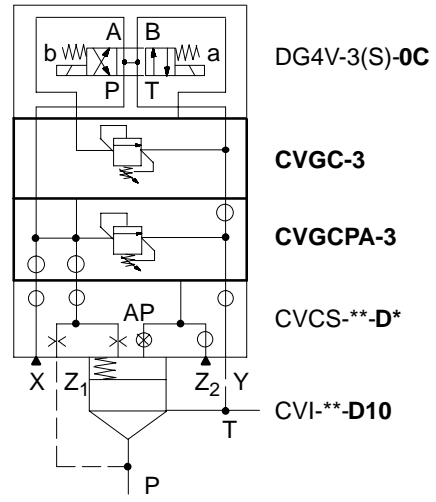


Figure 52

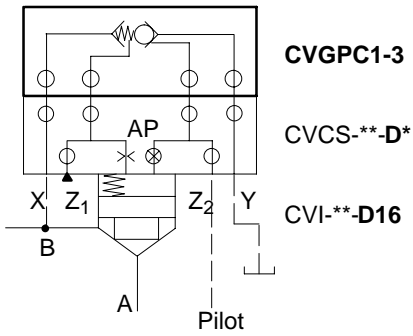


Figure 53

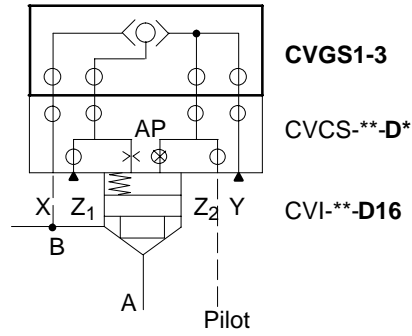


Figure 54

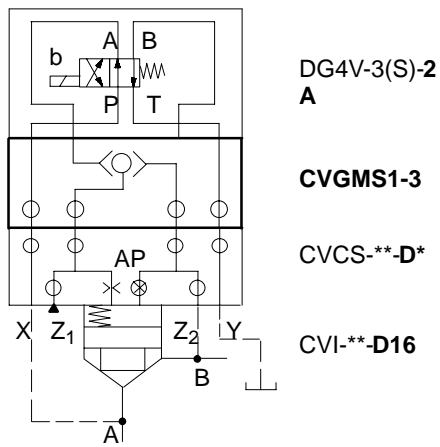


Figure 55

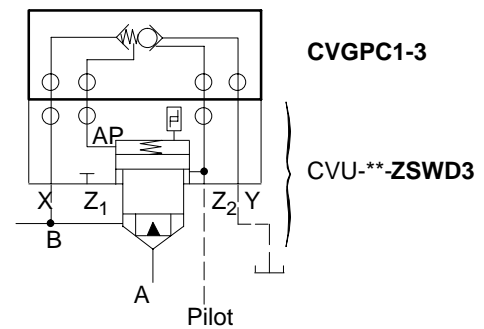
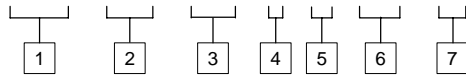


Figure 56

Model Codes Pilot Control Modules

Relief Functions

(F3-) CVG - * - 3 - * - *** - 1***



1 Seal material

F3 - Special seals. See “Fluids and Seals” on page 16.
Omit for standard seals.

2 Model

CVG - Cartridge valve module, gasket mounted

3 Function and circuitry

C - Relief module; function P-T
CA - Relief module; function A-T
CPA - Relief module, function P and A-T

4 Interface (ANSI/B93.7M-D03)

3 - ISO 4401, size 03

5 Type of pressure adjustment

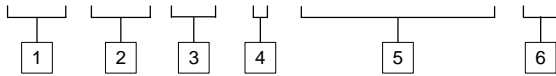
K - Micrometer adjuster with keylock
M - Micrometer adjuster without lock
W - Wrench adjustment with hex locknut

7 Design number, 1* series

Subject to change. Installation dimensions unchanged for design numbers 10 to 19 inclusive.

Auxiliary Functions

(F3-) CVG **1 - 3 - [P*-T*-A*-B*] - **



1 Seal material

F3 - Special seals. See “Fluids and Seals” on page 16.
Omit for standard seals.

2 Model

CVG - Cartridge valve module, gasket mounted

3 Function and circuitry

See “Functional Symbols” for precise circuitry connections
S1 - Shuttle valve with size 03 interface on one side only
MS1 - Modular shuttle valve (size 03 interface on both sides)
PC1 - Pilot operated check function with size 03 interface on one face only

4 Interface (ANSI/B93.7M-D03)

3 - ISO 4401, size 03

5 Orifice selections

Non-standard assemblies (e.g. modules with fitted orifices) may be supplied by special arrangement. Please consult your Vickers representative before ordering.

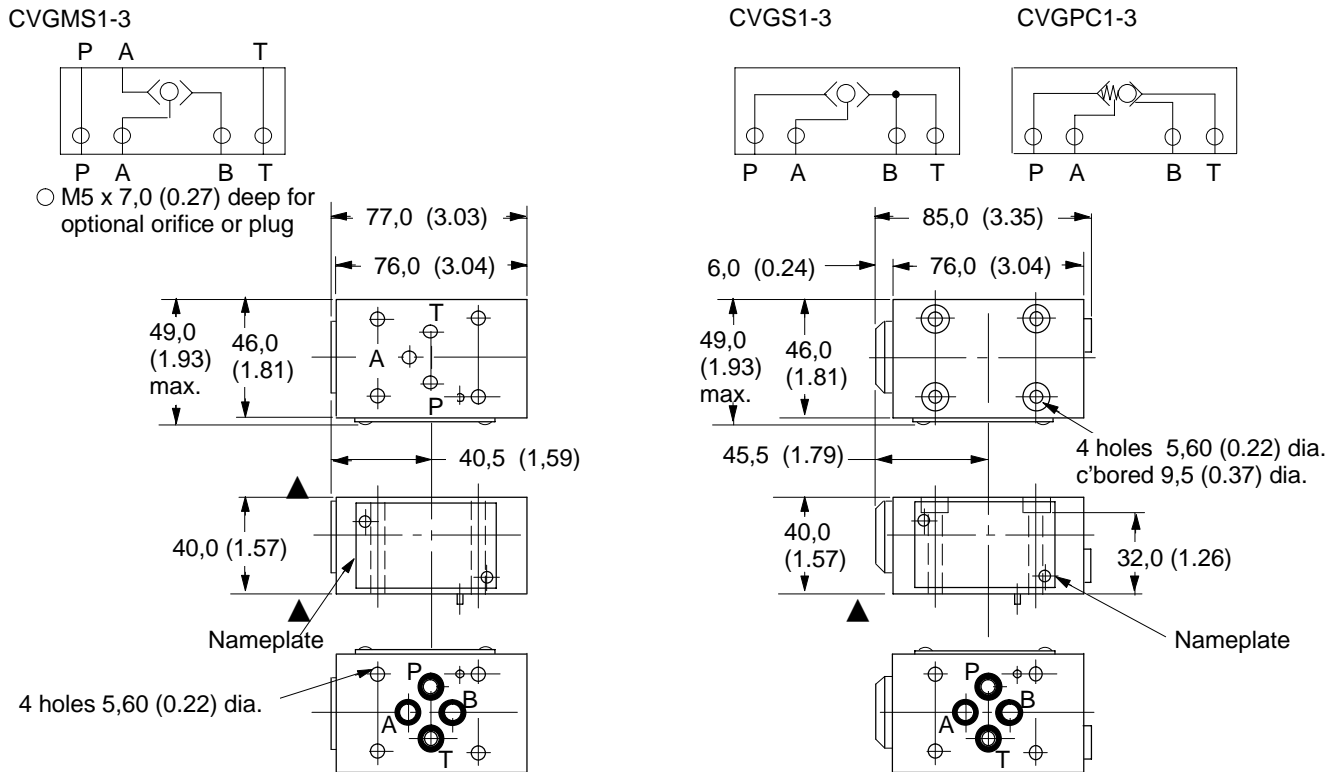
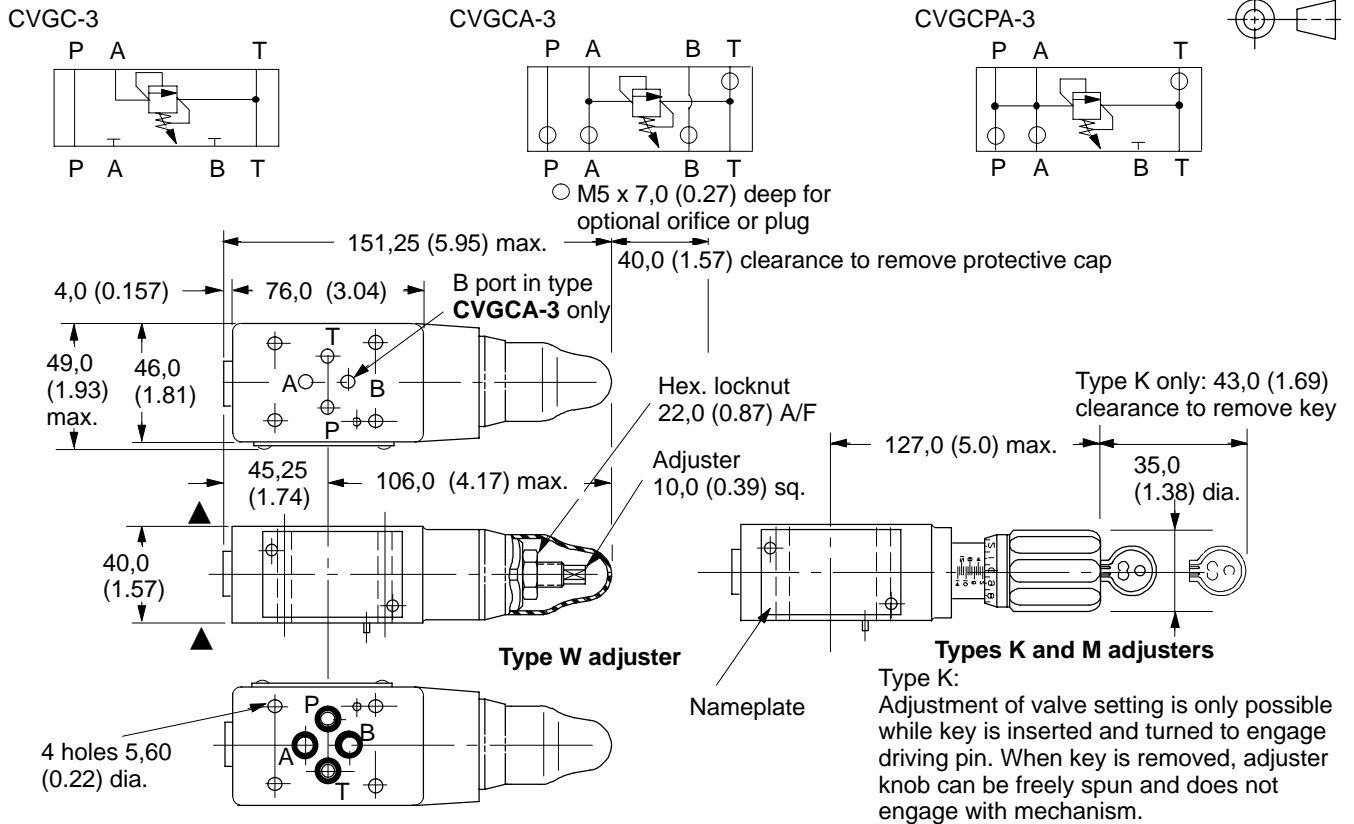
Typical examples include:

P08 - Orifice size 0,8 mm in P line
T06 - Orifice size 0,6 mm in T line
B09 - Orifice size 0,9 mm in B line
A10 - Orifice size 1,0 mm in A line
Specify orifice requirements by port location(s) followed by orifice code (see table on page 124) e.g. P07-B09.

6 Design number

1* series - For types S and MS
2* series - For type PC
Subject to change. Installation dimensions unchanged for design numbers 10 to 19, or 20 to 21 inclusive.

Pilot Control Modules



■ Mounting surface conforms to ISO 4401, size 03 (with additional orientation pin/pin hole); ANSI/B93.7M-D03.

Supplementary Data

Standard Factory-Fitted Orifice Sizes (mm)

Sizes and locations of standard factory-fitted orifices. Other orifice sizes (and other locations) can be fitted by

special arrangement with your Vickers representative. Non-standard orifice requirements should be defined according to CVC(S) and CVI model codes.

For available orifice kits, which should be ordered separately, see next page.

Sizes 80 and 100 covers are not supplied with fitted orifices.

Function	Port	Orifice size					
		16 mm	25 mm	32 mm	40 mm	50 mm	63 mm
CVC(S) covers							
A	X	1,0	1,2	1,3	1,4	1,6	1,8
A1/A3	AP ₂	1,0	1,2	1,2	1,4	–	–
C and SC	AP	1,0	1,2	1,2	1,4	–	–
	X	0,9	0,8	0,9	1,0	–	–
C1/C3 and SC1/SC3	AP	1,0	1,2	1,2	1,4	–	–
	X	0,9	0,8	0,9	1,0	–	–
C025	AP	1,0	0,8	0,8	0,8	–	–
	Z ₁	1,0	1,0	1,0	1,0	–	–
D1/D3	AP ₁	1,0	1,2	1,3	1,4	–	–
D2/D5	AP	–	–	–	–	1,6	1,8
DC1/DC3	AP	1,0	1,2	1,2	1,4	–	–
N	X	1,0	1,2	1,3	1,4	1,6	1,8
OD	–	–	1,2	1,2	1,4	–	–
PC	AP	1,0	1,2	1,3	1,4	–	–
U	AP	1,2	1,2	1,2	1,4	–	–
U1/U3	AP	1,2	1,2	1,2	1,4	–	–
W	AP	1,0	1,2	1,3	1,4	–	–
W11/W13	A	1,0	1,2	1,3	1,4	–	–
W31/W33	A	1,0	1,2	1,3	1,4	–	–
X1/X3	AP	1,0	1,0	1,2	1,4	–	–
CVI inserts							
C10F	–	0,8	0,8	0,9	1,0	–	–
D105V	–	1,0	1,2	1,2	1,4	–	–
U	–	0,8	0,8	1,0	1,4	–	–

Orifice Thread Sizes

Unless otherwise stated on installation drawings (e.g. dynamic covers CVC5-50-ZD(A)* and CVC5-63-ZD(A)*

on page 80) the following thread sizes are provided at designated

orifice locations. For sizes 80 and 100 see page 118.

Orifice designation	Cover size:						
		16	25	32	40	50	63
Inch – S2 models							
AP, AP ₁ , AP ₂	#10-32 UNF	1/4"-28 UNF	1/4"-28 UNF	1/4"-28 UNF	1/4"-28 UNF	1/4"-28 UNF	1/4"-28 UNF
P, A, B, T	#10-32 UNF	1/4"-28 UNF	1/4"-28 UNF	1/4"-28 UNF	1/4"-28 UNF	1/4"-28 UNF	1/4"-28 UNF
X, Z ₁ , Z ₂	#10-32 UNF	1/4"-28 UNF	1/4"-28 UNF	1/4"-28 UNF	1/4"-28 UNF	3/8"-24 UNF ▲ 7/16"-20 UNF ▼	3/8"-24 UNF ▲ 7/16"-20 UNF ▼
Metric – B29/B2 models							
AP, AP ₁ , AP ₂	M5	M6	M6	M6	M6	M6	M6
P, A, B, T	M5	M6	M6	M6	M6	M6	M6
X, Z ₁ , Z ₂	M5	M6	M6	M6	M10	M10	M10

▲ All applicable cover types except A and N.

▼ Cover types A and N only.

Optional Orifice Kits For Fine Tuning of Cartridge Valve Systems

Orifice size (mm)	Orifice code	Orifice color◆	Valve cover size & orifice kit number ■		
Inch threads			16: 926281 ■ 3/16"-32 UNF	25, 32 & 40: 926282 ■ 1/4"-28 UNF	50 & 63: 926283 ■ 7/16"-20 UNF
0,7	07	Green	●	●	
0,8	08	Blue	●		●
0,9	09	Purple		●	
1,0	10	Yellow	●	●	●
1,2	12	Orange	●	●	●
1,3	13	Violet		●	
1,4	14	Brown		●	
1,5	15	Gray	●	●	
1,6	16	–			●
1,8	18	–			●
Solid plug	00	–	●	●	●
Metric threads			16: 992747 ■ M5	25, 32 & 40: 992748 ■ M6	50 & 63: 992749 ■ M10
0,7	07	–	●	●	
0,8	08	–	●	●	●
0,9	09	–		●	
1,0	10	–	●	●	●
1,2	12	–	●	●	●
1,3	13	–		●	
1,4	14	–		●	
1,5	15	–	●	●	●
1,6	16	–			●
1,8	18	–			●
Solid plug	00	–	●	●	●

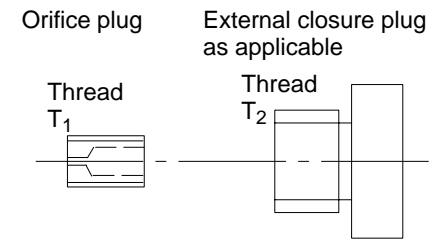
- ◆ North American source uses color code, European source stamps orifice size.
- Order orifices/plugs by kit number. Kit contains three of each orifice and plug indicated.

Fitting New Orifice Plugs

When fitting new orifice plugs the following assembly instructions should be observed:

1. Do not re-use any orifice plug that has been removed from an assembly.
2. Parts must be assembled in dry conditions.
3. Apply a thin coating of Loctite grade 222 (or equivalent) to the internal thread only.
4. Do not apply Loctite (or equivalent) to the orifice plug.
5. Assemble the plug, tightening to the recommended torque level (see "Assembly Torques" tables).

Assembly Torques



Orifice plug, inch thread T ₁	Torque, lbf ft
#10-32 UNF	2 to 2.3
1/4"-28 UNF	3.2 to 3.5
3/8"-24 UNF	5.2 to 6.6
7/16"-20 UNF	7.4 to 8.8

External closure plug, inch thread T ₂	Torque, lbf ft
5/16"-24 UNF	7 to 7.5
3/8"-24 UNF	9 to 9.2
7/16"-20 UNF	11 to 12
1/2"-20 UNF	15 to 16
9/16"-18 UNF	21 to 23
3/4"-16 UNF	39 to 43
7/8"-14 UNF	55 to 61

Orifice plug, metric thread T ₁	Torque, Nm
M5	2,8 to 3,2
M6	4,3 to 4,7
M8	7,0 to 9,0
M10	10,0 to 12,0

External closure plug, BSPF thread T ₂	Torque, Nm
G 1/8	9,8 to 10,2
G 1/4	19,8 to 20,2
G 3/8	38,8 to 39,2
G 1/2	58,8 to 59,2

Orifice Sizing Guide

Use Figure 57 to approximate the opening and closing times of poppets with different size orifices. From the chart, determine the cartridge valve's insert poppet area, poppet stroke, and resultant displacement volume. The chart shows full stroke displacement of poppets having 1:1.6 and 1:1.05 area ratios.

The calculation provides a starting point for determining the right orifice for the application. The final determination is the application itself, and fine tuning should be done on the machine installation.

From the curves, determine pressure drop across the orifice. For example, if there is a 140 bar (2000 psi) Δp across a 0,5 mm orifice in a 25 mm valve, the poppet will travel its full stroke in about 200 milliseconds.

$$\frac{\text{Displacement (in}^3\text{) x 60 (sec/min)}}{\text{Flow rate (in}^3\text{/min)}}$$

$$\frac{(0,27 \text{ in}^3) (60 \text{ sec/min})}{80 \text{ (in}^3\text{/min)}} = 0,200 \text{ sec}$$

$$\frac{\text{Displacement (cm}^3\text{) x 60 (sec/min)}}{\text{Flow rate (cm}^3\text{/min)}}$$

$$\frac{(4,42 \text{ cm}^3) (60 \text{ sec/min})}{1300 \text{ (cm}^3\text{/min)}} = 0,200 \text{ sec}$$

Valve size	Poppet area AP		Nominal poppet stroke ▲		Displacement	
	mm ²	in ²	mm	in	cm ³	in ³
16	213,82	0.33	8,0	0.31	1,71	0.10
25	490,87	0.76	9,0	0.35	4,42	0.27
32	804,25	1.25	11,0	0.45	8,85	0.54
40	1320,25	2.05	14,5	0.57	19,14	1.17
50	2123,72	3.29	20,0	0.79	42,47	2.60
63	3421,19	5.30	27,5	1.08	94,08	5.72

▲ The stroke of some poppet types varies slightly from the figures given. However, this data is valid for estimating response times for standard insert types C10F, D105(V) and **16, using above formulae. For response data of dynamic models type ZD(N)105, see page 76.

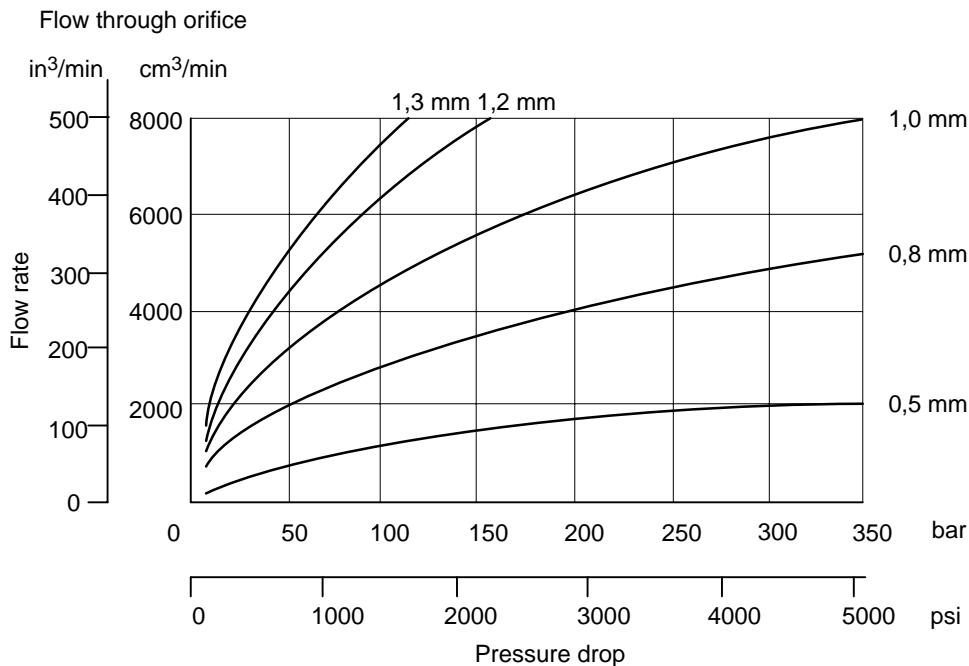


Figure 57

Pressure Drop at Other Viscosities

Pressure drop data in this catalog is generally given for a fluid viscosity of 36 cSt (168 SUS). For model types CVU-**(Z)SWD(3) the reference viscosity is 21 cSt (102 SUS).

The graph shows the approximate change in pressure drop for a range of other viscosities. To determine the pressure drop for any given viscosity, multiply the published value by the factor applicable to the required viscosity.

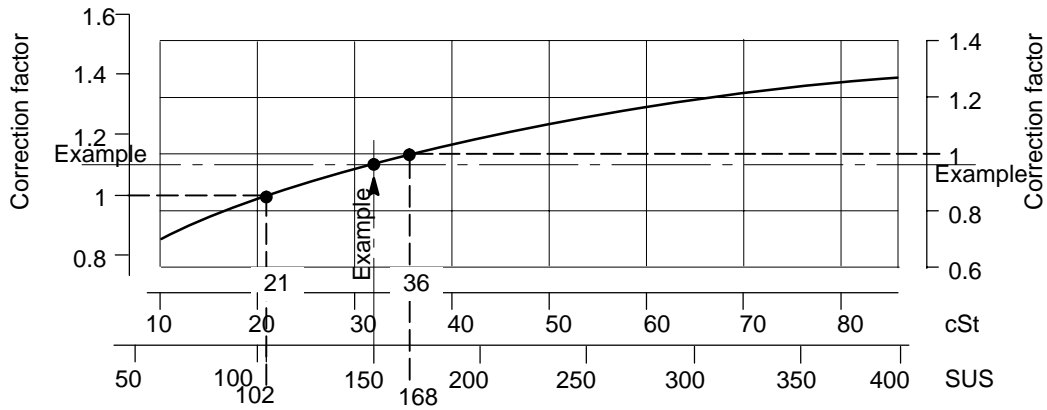
Example Shown

For an actual fluid viscosity of 32 cSt (150 SUS), the pressure drop correction factors are:

- approx. 1.1 to be applied to 21 cSt (102 SUS) data
- approx. 0.95 to be applied to 36 cSt (168 SUS) data

Apply to data given at 21 cSt (102 SUS)

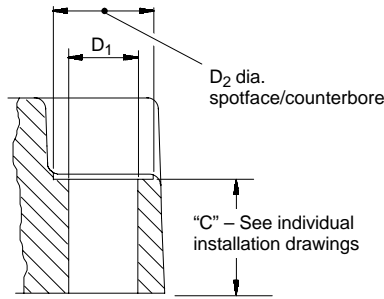
Apply to data given at 36 cSt (168 SUS)



Mounting Bolt Data

Hole Dimensions in Covers, mm (inch)

Cover size	D ₁	D ₂
16	9,0 (0.35)	15,0 (0.59)
25	14,0 (0.55)	20,0 (0.79)
32	18,0 (0.71)	26,0 (1.02)
40	22,0 (0.87)	33,0 (1.30)
50	22,0 (0.87)	33,0 (1.30)
63	33,0 (1.30)	49,0 (1.93)
80	See pages 118 and 119	
100	See pages 118 and 119	



Inch Bolt Kits

Bolts are UNC, grade 8 or better

Cartridge Valve Covers, CVC(S)

Cover size	Bolt size	Model number	Used with model type	Recommended bolt torque lbf ft	(Nm)
Dynamic models					
16	5/16 - 18 x 4	BKDNG16-712	ZD1/ZDA1	26	(35)
25	1/2 - 13 x 4	BK02-157290	ZD1/ZDA1	81	(110)
32	5/8 - 11 x 4 1/4	BK02-157291	ZD1/ZDA1	210	(285)
40	3/4 - 10 x 5	BK02-157292	ZD1/ZDA1	370	(500)
50	3/4 - 10 x 6	BK02-157293	ZD1/ZDA1	429	(580)
63	1 1/4 - 7 x 6	BK02-300324	ZD1/ZDA1	888	(1200)
Other models					
16	5/16 - 18 x 1 1/2	BKDNG16-700	B, N, PC, W, A	26	(35)
	5/16 - 18 x 2	BKDNG16-702	All other models	26	(35)
25	1/2 - 13 x 1 1/2	BKDPNG25-704	All models	81	(110)
32	5/8 - 11 x 2	BKDNG32-713	All models	210	(285)
40	3/4 - 10 x 2 1/4	BKDPNG40-706	All models	370	(500)
50	3/4 - 10 x 3	BKDNG50-708	All models	429	(580)
63	1 1/4 - 7 x 3 1/2	BKDNG63-710	All models	888	(1200)

Pilot Valves

Pilot valve	Bolt size	Model number	Recommended bolt torque lbf in	(Nm)
DG4V-3	#10-24 x 1 1/4	BK590716	63-80	(7-9)
DG4V-3 + CVGC-3	#10-24 x 2 3/4	BK870017	63-80	(7-9)
DG4V-5	1/4-20 x 1 1/2	BKDG01633	63-80	(7-9)
DG4S4-01-5*	1/4-20 x 1 1/2	BKDG01633	63-80	(7-9)
DG4S4W-01-6*	1/4-20 x 1 1/2	BKDG01633	63-80	(7-9)
KCG-3	#10-24 x 2	BKDG3-698	63-80	(7-9)
EHST-3	#10-24 x 1 3/4	BKMOD617 ■	63-80	(7-9)

■ Zinc plated (EHST-3 has an aluminum body).

Metric Bolt Kits

Bolts are Class 12.9 (ISO 898) or stronger

Cartridge Valve Covers, CVC(S)

Cover size	Bolt size	Model number	Recommended bolt torque	
			Nm	(lbf ft)
Dynamic models				
16	M8 x 100	Metric covers, sizes 16 to 40, are supplied with mounting bolts (B29 in model code)	35	(26)
25	M12 x 100		110	(81)
32	M16 x 110		285	(210)
40	M20 x 130		500	(370)
50	M20 x 150	BK02-157288	580	(429)
63	M30 x 150	BK02-157289	1200	(888)
Other models				
16	M8 x 40 ▲	Metric covers, sizes 16 to 40, are supplied with mounting bolts (B29 in model code)	35	(26)
	M8 x 50		35	(26)
25	M12 x 40		110	(81)
32	M16 x 50		285	(210)
40	M20 x 60		500	(370)
50	M20 x 80	BKDNG50-709M	580	(429)
63	M30 x 90	BKDNG63-711M	1200	(888)

△ Use with "B", "N", "PC", "W" and "A" model covers only.

Pilot Valves

Pilot valve	Bolt size	Model number	Recommended bolt torque	
			Nm	(lbf in)
DG4V-3	M5 x 30	BK616452M	7-9	(63-80)
DG4V-3 + CVGC-3	M5 x 70	BK464125M	7-9	(63-80)
DG4V-5	M6 x 40	BKDG01633M	7-9	(63-80)
DG4S4-01-5*	M6 x 40	BKDG01633M	7-9	(63-80)
DG4S4W-01-6*	M6 x 40	BKDG01633M	7-9	(63-80)
KCG-3	M5 x 50	BKDG3-699M	7-9	(63-80)
EHST-3	M5 x 40	BK991917 ■	7-9	(63-80)

■ Zinc plated (EHST-3 has an aluminium body).

Seal Kits

These seal kits are for the "B29" models only.

Product	Standard	F3
Dynamic cover		
CVCS-ZD(3) 16/25/32	02-156955	02-156956
CVCS-ZD(3) 40	02-156953	02-156954
CVCS-ZD(3) 50	02-156951	02-156952
CVCS-ZD(3) 63	02-156967	02-156968
Dynamic insert		
CVI-16-ZD(N)105-10	02-156965	02-156966
CVI-25-ZD(N)105-10	02-156963	02-156964
CVI-32-ZD(N)105-10	02-156961	02-156962
CVI-40-ZD(N)105-10	02-156959	02-156960
CVI-50-ZD(N)105-10	02-156957	02-156958
CVI-63-ZD(N)105-10	02-156969	02-156970
Standard inserts (incl. Valvistor and OD)		
CVI-16-**	456173	02-157617
CVI-25-**	456926	02-157618
CVI-32-**	479449	02-157619
CVI-40-**	478732	514808
CVI-50-**	478733	02-157620
CVI-63-**	456798	02-157621
Units (CVU-**) ▲		
Size 16	02-157167	02-157168
Size 25	02-157536	02-157537
Size 32	02-157615	02-157616
Size 40	02-157679	02-157680
CVU-50-SWD3-**	02-157675	02-157676
CVU-63-SWD3-**	02-157677	02-157678

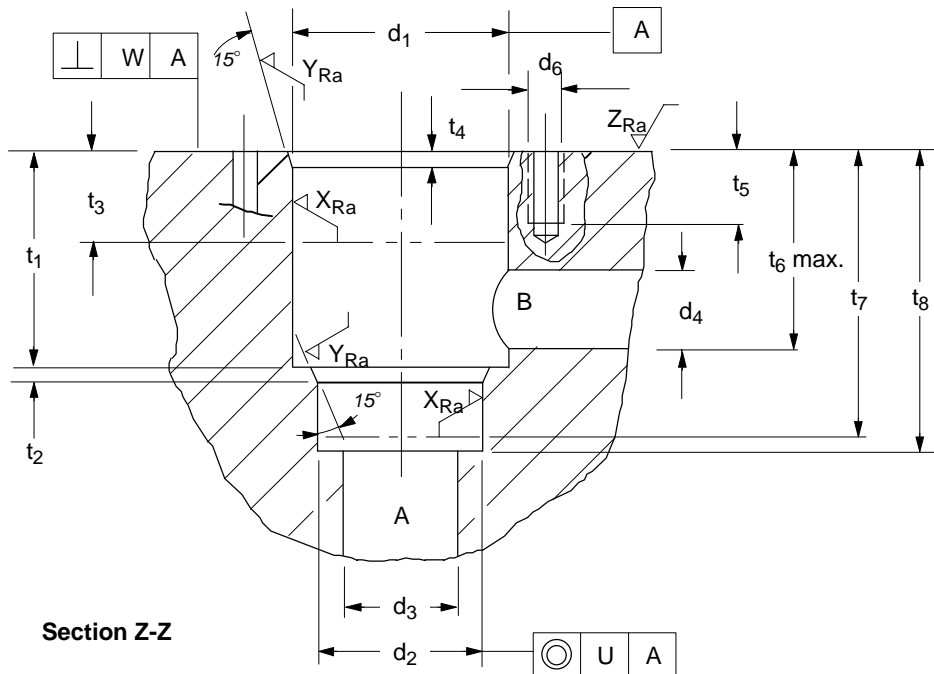
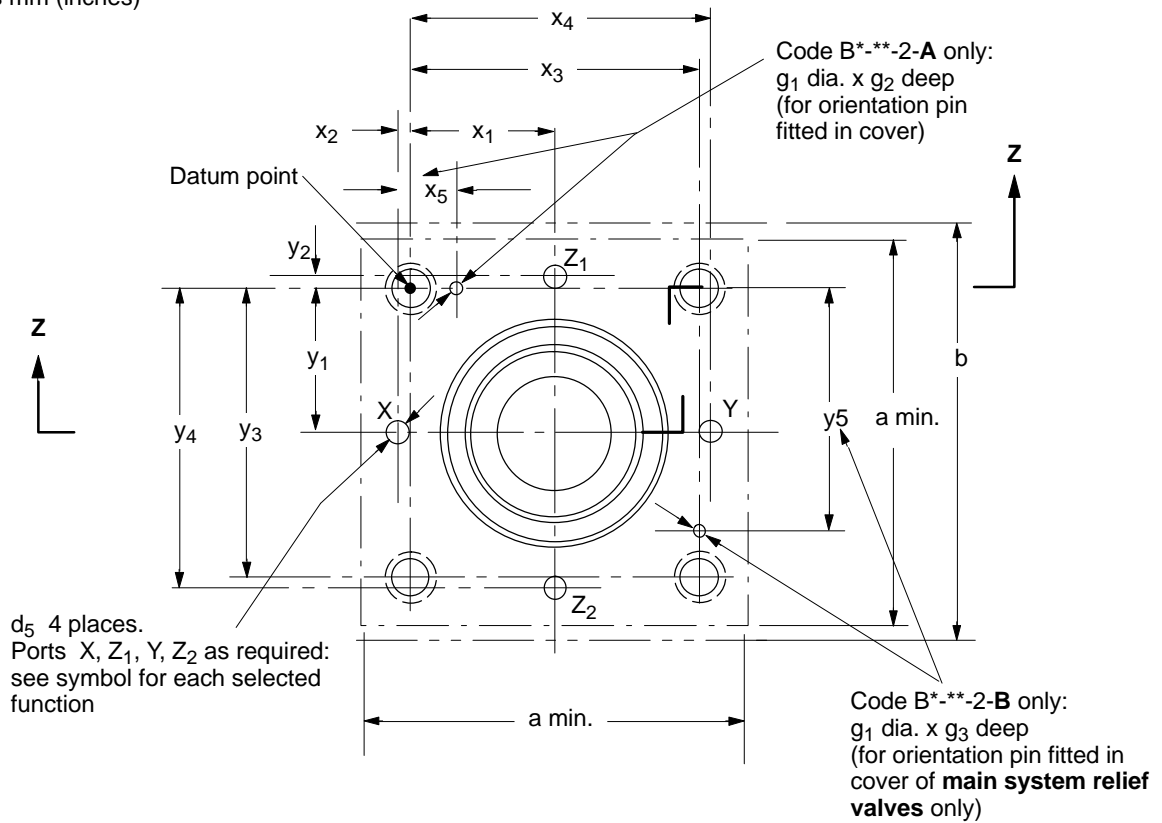
▲ Units include CVU-**-ZSWD3, -SWD(3) and -EFP1

Product	Standard: Complete	Interface only	F3: Complete	Interface only
Standard cover assemblies (incl. Valvistor and OD)				
CVCS-16-**	02-157672	02-157613	02-157671	02-157614
CVCS-25-**	02-157674	456925	02-157673	02-157612
CVCS-32-**	02-157905	02-310967	02-157906	02-310968
CVCS-40-**	02-157712	02-310969	02-157713	02-310970
CVC(S)-50-**	02-310971	02-310972	02-310973	02-310974
CVC(S)-63-**	02-310975	456799	02-310976	02-310977

Insert Cavity Dimensions to ISO 7368, Sizes 16 to 63

Vickers cartridge valve covers (type CVCS), inserts (type CVI) and complete units (type CVU) conform to installation requirements of ISO 7368 and DIN 24342.

Dimensions mm (inches)



Dimension	ISO 7368 ref. and Vickers Nominal Size					
	BA-06-2-A BA-06-2-B Size 16	BB-08-2-A BB-08-2-B Size 25	BC-09-2-A BC-09-2-B Size 32	BD-10-2-A BD-10-2-B Size 40	BE-11-2-A BE-11-2-B Size 50	BF-12-2-A BF-12-2-B Size 63
a	65 (2.56)	85 (3.35)	102 (4.02)	125 (4.92)	140 (5.51)	180 (7.09)
b ■	75 (2.95)	95 (3.74)	112 (4.41)	135 (5.31)	150 (5.91)	190 (7.48)
d ₁ dia.	32,039 (1.2614) 32,000 (1.2598)	45,039 (1.7732) 45,000 (1.7717)	60,046 (2.3640) 60,000 (2.3622)	75,046 (2.9546) 75,000 (2.9528)	90,054 (3.5454) 90,000 (3.5433)	120,054 (4.7265) 120,000 (4.7244)
d ₂ dia.	25,033 (0.9856) 25,000 (0.9843)	34,039 (1.3401) 34,000 (1.3386)	45,039 (1.7732) 45,000 (1.7717)	55,046 (2.1672) 55,000 (2.1654)	68,046 (2.6790) 68,000 (2.6772)	90,054 (3.5454) 90,000 (3.5433)
d ₃ dia. max.	16 (0.63)	25 (0.98)	32 (1.26)	40 (1.57)	50 (1.97)	63 (2.48)
d ₄ dia.	16 (0.63)	25 (0.98)	31,5 (1.24)	40 (1.57)	50 (1.97)	63 (2.48)
d ₅ dia. max.	4 (0.157)	6 (0.236)	8 (0.315)	10 (0.394)	10 (0.394)	12 (0.472)
d ₆ thread ●	M8	M12	M16	M20	M20	M30
g ₁ dia. nominal	4 (0.157)	6 (0.236)	6 (0.236)	6 (0.236)	8 (0.315)	8 (0.315)
g ₂ min.	8 (0.315)	8 (0.315)	8 (0.315)	8 (0.315)	8 (0.315)	8 (0.315)
g ₃ min.	4 (0.157)	6 (0.236)	6 (0.236)	6 (0.236)	8 (0.315)	8 (0.315)
t ₁	43,1 (1.697) 43,0 (1.693)	58,1 (2.287) 58,0 (2.283)	70,1 (2.760) 70,0 (2.756)	87,1 (3.429) 87,0 (3.425)	100,1 (3.941) 100,0 (3.937)	130,1 (5.122) 130,0 (5.118)
t ₂	2 (0.079)	2,5 (0.098)	2,5 (0.098)	3 (0.118)	3 (0.118)	4 (0.157)
t ₃ min. (X _{Ra})	20 (0.79)	30 (1.18)	30 (1.18)	30 (1.18)	35 (1.38)	40 (1.57)
t ₄	2 (0.079)	2,5 (0.098)	2,5 (0.098)	3 (0.118)	4 (0.157)	4 (0.157)
t ₅ min. depth ●	12 (0.47)	18 (0.71)	24 (0.94)	30 (1.18)	30 (1.18)	45 (1.77)
t ₆ max.	42,5 (1.67)	57 (2.24)	68,5 (2.70)	84,5 (3.33)	97,5 (3.84)	127 (5.00)
t ₇ min. (X _{Ra})	54 (2.13)	70 (2.76)	83 (3.27)	102 (4.02)	117 (4.61)	150 (5.91)
t ₈	56,1 (2.209) 56,0 (2.205)	72,1 (2.839) 72,0 (2.835)	85,1 (3.350) 85,0 (3.346)	105,1 (4.138) 105,0 (4.134)	122,1 (4.807) 122,0 (4.803)	155,1 (6.106) 155,0 (6.102)
U	0,03 (0.0012)	0,03 (0.0012)	0,03 (0.0012)	0,05 (0.002)	0,05 (0.002)	0,05 (0.002)
W	0,05 (0.002)	0,05 (0.002)	0,1 (0.004)	0,1 (0.004)	0,1 (0.004)	0,2 (0.008)
x ₁ ▲	23 (0.906)	29 (1.142)	35 (1.378)	42,5 (1.673)	50 (1.969)	62,5 (2.461)
x ₂ ▲	2 (0.079)	4 (0.157)	6 (0.236)	7,5 (0.295)	8 (0.315)	12,5 (0.492)
x ₃ ▲	46 (1.811)	58 (2.283)	70 (2.756)	85 (3.346)	100 (3.937)	125 (4.921)
x ₄ ▲	48 (1.89)	62 (2.441)	76 (2.992)	92,5 (3.642)	108 (4.252)	137,5 (5.413)
x ₅ ▲	12,5 (0.492)	13 (0.512)	18 (0.709)	19,5 (0.768)	20 (0.787)	24,5 (0.965)
y ₁ ▲	23 (0.906)	29 (1.142)	35 (1.38)	42,5 (1.673)	50 (1.969)	62,5 (2.461)
y ₂ ▲	2 (0.079)	4 (0.157)	6 (0.236)	7,5 (0.295)	8 (0.315)	12,5 (0.492)
y ₃ ▲	46 (1.811)	58 (2.283)	70 (2.756)	85 (3.346)	100 (3.937)	125 (4.921)
y ₄ ▲	48 (1.89)	62 (2.441)	76 (2.992)	92,5 (3.642)	108 (4.252)	137,5 (5.413)
y ₅ ▲	33,5 (1.319)	45 (1.772)	52 (2.047)	65,5 (2.579)	80 (3.150)	100,5 (3.957)
X _{Ra}	1,6 micron (63 microinches)					
Y _{Ra}	3,2 micron (125 microinches)					
Z _{Ra}	0,8 micron (32 microinches)					

○ Minimum space required for slip-in valve (insert) and its cover. Also minimum centerline to centerline distance for two identical cavities in a manifold block.

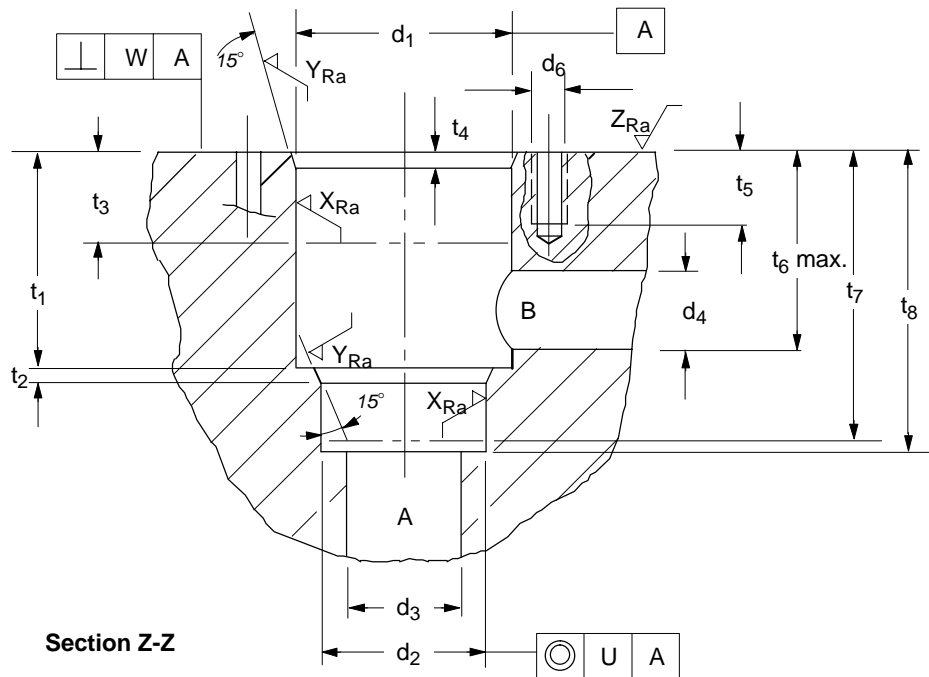
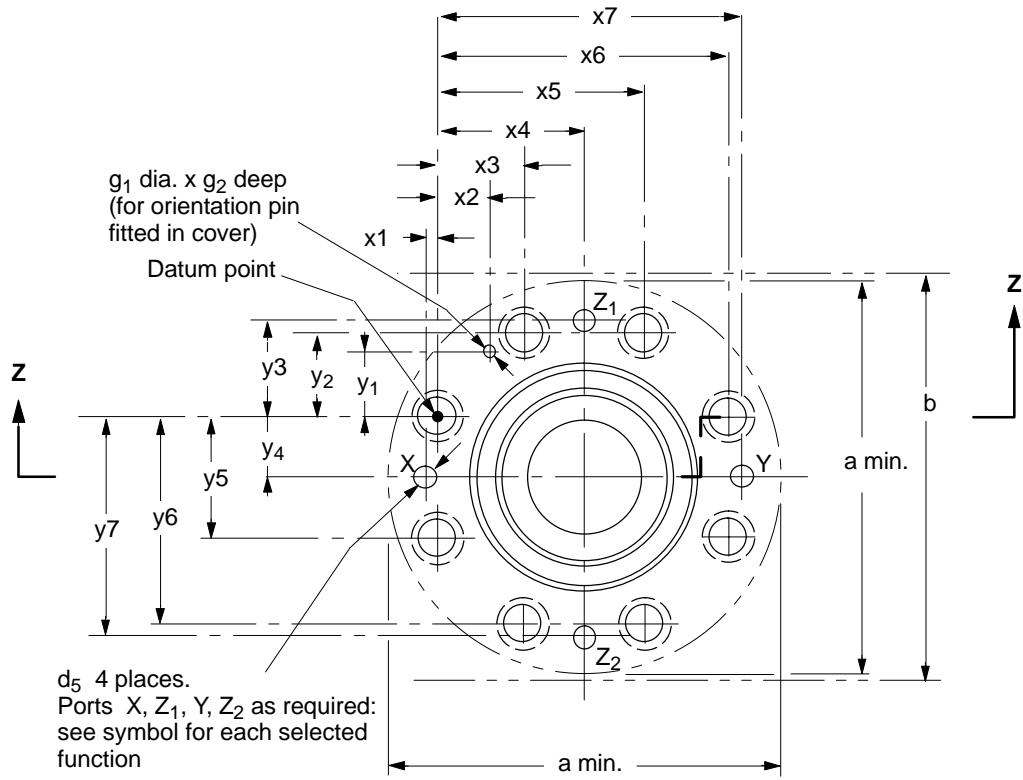
▲ For customers wishing to use UNC mounting bolts (as offered in this catalog), Vickers recommendations for thread size and tapping depths are given in the following table.

△ Dimensional tolerance is ±0,2 (0.008).

Vickers Recommendations for Alternative Tappings for UNC Mounting Bolts

Dimension	ISO 7368 ref. and Vickers Nominal Size					
	BA-06-2-A Size 16	BB-08-2-A Size 25	BC-09-2-A Size 32	BD-10-2-A Size 40	BE-11-2-A Size 50	BF-12-2-A Size 63
d ₆ thread	5/16"-18	1/2"-13	5/8"-11	3/4"-10	3/4"-10	1 1/4"-7
t ₅ min. depth	20 (0.79)	25 (0.98)	35 (1.38)	35 (1.38)	40 (1.57)	55 (2.17)

Insert Cavity Dimensions to ISO 7368, Sizes 80 and 100



Dimension	ISO 7368 ref. and Vickers Nominal Size	
	BG-13-2-A Size 80	BH-14-2-A Size 100
a	250 (9.84)	300 (11.81)
b ■	260 (10.24)	310 (12.21)
d ₁ dia.	145,063 (5.7111) / 145,000 (5.7086)	180,063 (7.0891) / 180,000 (7.0866)
d ₂ dia.	110,054 (4.3328) / 110,000 (4.3307)	135,063 (5.3174) / 135,000 (5.3150)
d ₃ dia. max.	80 (3.15)	100 (3.937)
d ₄ dia.	80 (3.15)	100 (3.937)
d ₅ dia. max.	16 (0.63)	20 (0.787)
d ₆ thread ●	M24	M30
g ₁ dia. nominal	10 (0.394)	10 (0.394)
g ₂ min.	8 (0.315)	8 (0.315)
t ₁	175,20 (6.898) / 175,00 (6.890)	210,20 (8.276) / 210,00 (8.268)
t ₂	5 (0.197)	5 (0.197)
t ₃ min. (X _{Ra})	40 (1.575)	50 (1.969)
t ₄	5 (0.197)	5 (0.197)
t ₅ min. depth ●	46 (1.811)	55 (2.165)
t ₆ max.	170,5 (6.712)	205,5 (8.090)
t ₇	200 (7.874)	239 (9.409)
t ₈	205,20 (8.079) / 205,00 (8.071)	245,20 (9.654) / 245,00 (9.646)
U	0,05 (0.002)	0,05 (0.002)
W	0,2 (0.008)	0,2 (0.008)
x ₁ ▲	7,6 (0.299)	9,3 (0.366)
x ₂ ▲	35 (1.378)	42,9 (1.689)
x ₃ ▲	54,1 (2.129)	66,3 (2.610)
x ₄ ▲	92,4 (3.638)	113,2 (4.457)
x ₅ ▲	130,7 (5.146)	160,1 (6.303)
x ₆ ▲	184,8 (7.276)	226,4 (8.913)
x ₇ ▲	192,4 (7.575)	235,7 (9.280)
y ₁ ▲	43,5 (1.713)	53,5 (2.106)
y ₂ ▲	54,1 (2.129)	66,3 (2.610)
y ₃ ▲	61,7 (2.429)	75,6 (2.976)
y ₄ ▲	38,3 (1.508)	46,9 (1.846)
y ₅ ▲	76,6 (3.016)	93,8 (3.693)
y ₆ ▲	130,7 (5.146)	160,1 (6.303)
y ₇ ▲	138,3 (5.445)	169,4 (6.669)
X _{Ra}	1,6 micron (63 microinches)	
Y _{Ra}	3,2 micron (125 microinches)	
Z _{Ra}	0,8 micron (32 microinches)	

○ Minimum space required for slip-in valve and its cover. Also minimum centerline to centerline distance for two identical cavities in a manifold block.

▲ For customers wishing to use UNC mounting bolts (as offered in this catalog), Vickers recommendations for thread size and tapping depths are given in the table at the bottom of this page.

△ Dimensional tolerance is ± 0,2 (0.008).

Vickers Recommendations for Alternative Tappings for UNC Mounting Bolts

Dimension	ISO 7368 ref. and Vickers Nominal Size	
	BG-13-2-A Size 80	BH-14-2-A Size 100
d ₆ thread	1"-8	1 ¹ / ₄ "-7
t ₅ min. depth	46 (2.811)	55 (2.165)

Ordering Procedure

Ask your Vickers representative to present a quotation for a cartridge valve system tailored to your application, or to quote on the appropriate model numbers in this catalog. System components must be ordered by complete model numbers. Covers, inserts, pilot valves, modules, and mounting bolt kits must be specified separately.

Typical Examples

Check Valve

A check valve function for 200 L/min (53 USgpm) as seen in Figure 8, to metric standards, order:

- One (1) CVCS-16-N-B29-10 cover
- One (1) CVI-16-D16-M-40 insert

Relief Function

A proportional relief function for 450 L/min (119 USgpm) as seen in Figure 27, to inch standards with size 03 interface, and with a screw and locknut for up to 250 bar (3600 psi), order:

- One (1) CVI-25-D10-H-40 insert
- One (1) CVCS-25-C1-S2-W250-10 cover
- One (1) KCG-3-250-U-H1-10 pilot valve
- One (1) BKDPNG25-704 bolt kit (for cover)
- One (1) BKDG3-698 bolt kit (for pilot valve)

Unloading Function

An unloading valve for 700 L/min (185 USgpm) as seen in Figure 31, with wrench adjuster for a range up to 125 bar (1800 psi), to metric standards and no size 03 interface, order:

- One (1) CVCS-40-U-B29-W125-10 cover
- One (1) CVI-40-U-40 insert
- One (1) DG4V-3(S)-2A-60 pilot valve
- One (1) BK616452M bolt kit (for pilot valve)

Reducer Function

A reducing valve for 500 L/min (132 USgpm) as seen in Figure 32, with micrometer adjuster for a range up to 350 bar (5000 psi), to inch standard and with size 03 interface for venting, order:

- One (1) CVI-32-X2-40 insert
- One (1) CVCS-32-X1-S2-M350-10 cover
- One (1) DG4V-3(S)-2AL-60 pilot valve
- One (1) BKDNG32-713 bolt kit (for cover)
- One (1) BK590716 bolt kit (for pilot valve)

Dynamic Function

A dynamic valve for 200 L/min (53 USgpm) as seen in Figure 36, without stroke adjuster, to inch standard, order:

- One (1) CVI-16-ZD105-M-10 insert
- One (1) CVCS-16-ZD1-S2-10 cover
- One (1) DG4V-3(S)-2A-60 pilot valve
- One (1) BKDNG16-712 bolt kit (for cover)
- One (1) BK590716 bolt kit (for pilot valve)

Proportional Flow Control

A proportional throttle valve for 700 L/min (185 USgpm) as seen on page 93, order: (with extra standard seal kit)

- One (1) CVU-32-EFP1-B29-70-30
- One (1) BKDNG32-713
- One (1) 02-157615

Mass Summary, kg (lb)

Covers CVC(S)

Model type	Size							
	16	25	32	40	50	63	80	100
A	2,3 (5.1)	3,0 (6.6)	4,1 (9.0)	9,1 (20.1)	10,4 (23.0)	24,0 (53.0)	27 (60)	42 (93)
A1/A3	3,9 (8.6)	6,8 (15.0)	9,3 (20.5)	13,4 (29.5)	–	–	–	–
B	0,83 (1.8)	1,8 (4.0)	3,13 (6.9)	5,94 (13.1)	–	–	–	–
C	2,0 (4.4)	2,8 (6.2)	3,8 (8.3)	8,2 (18.0)	–	–	–	–
C1/C3	2,1 (4.6)	2,8 (6.2)	3,8 (8.3)	8,2 (18.0)	–	–	–	–
C025	2,2 (4.8)	2,8 (6.2)	3,8 (8.3)	8,2 (18.0)	–	–	–	–
D1/D3	1,2 (2.6)	1,9 (4.2)	3,3 (7.3)	6,3 (13.9)	–	–	–	–
D2/D5	–	–	–	–	8,5 (18.7)	16,3 (36.0)	22 (50)	36 (80)
DC1/DC3	1,2 (2.6)	1,9 (4.2)	3,3 (7.3)	6,3 (14.0)	–	–	–	–
HFV	See page 93						–	–
N	0,83 (1.8)	1,8 (4.0)	3,13 (6.9)	5,94 (13.1)	9,7 (21.3)	20,0 (44.0)	22 (50)	36 (80)
OD	–	1,5 (3.3)	2,7 (5.9)	4,5 (9.9)	–	–	–	–
PC	0,83 (1.8)	1,8 (4.0)	3,13 (6.9)	5,94 (13.1)	–	–	–	–
SC	2,0 (4.4)	2,8 (6.2)	3,8 (8.3)	8,2 (18.0)	–	–	–	–
SC1/SC3	2,1 (4.6)	2,8 (6.2)	3,8 (8.3)	8,2 (18.0)	–	–	–	–
U	2,0 (4.4)	2,8 (6.2)	3,8 (8.3)	8,2 (18.0)	–	–	–	–
U1/U3	2,1 (4.6)	2,8 (6.2)	3,8 (8.3)	8,2 (18.0)	–	–	–	–
W	0,83 (1.8)	1,8 (4.0)	3,13 (6.9)	5,94 (13.1)	–	–	–	–
W11/W13	2,0 (4.4)	2,5 (5.5)	3,5 (7.7)	6,0 (13.3)	–	–	–	–
W31/W33	2,0 (4.4)	2,5 (5.5)	3,5 (7.7)	6,0 (13.3)	–	–	–	–
X	2,0 (4.4)	2,8 (6.2)	3,8 (8.3)	8,2 (18.0)	–	–	–	–
X1/X3	2,1 (4.6)	3,0 (6.6)	3,8 (8.3)	8,2 (18.0)	–	–	–	–
ZD1/ZD3	2,7 (6.0)	4,7 (10.4)	6,7 (14.7)	11,5 (25.3)	15,3 (33.7)	28,0 (61.6)	–	–
ZDA1/ZDA3	2,9 (6.4)	5,0 (11.0)	7,1 (15.6)	11,8 (26.0)	16,1 (35.4)	29,0 (63.8)	–	–

Inserts CVI

Model type	Size							
	16	25	32	40	50	63	80	100
ZD(N)105	0,35 (0.77)	0,84 (1.85)	1,72 (3.79)	3,44 (7.58)	5,83 (12.85)	12,7 (28.0)	–	–
All other models	0,13 (0.29)	0,33 (0.73)	0,90 (1.98)	1,35 (3.0)	2,2 (4.8)	5,4 (11.9)	16 (35)	27 (60)

Pilot Control Modules (CVG***)

Model type	Description	
CVGC-3	Relief module: P-T	1,3 (2.9)
CVGCA-3	Relief module: A-T	1,3 (2.9)
CVGCPA-3	Relief module: P & A-T	1,3 (2.9)
CVGMS1-3	Shuttle module	1,0 (2.2)
CVGPC1-3	Pilot operated check valve	1,0 (2.2)
CVGS1-3	Shuttle valve	1,0 (2.2)

Pilot Valves

Model type	"U" coils	"F" coils + conduit box
DG4V-3 and DG4V-3S		
DC coil(s):		
Single solenoid valve	1,6 (3.5)	1,8 (4.0)
Double solenoid valve	2,2 (4.8)	2,3 (5.0)
AC coil(s):		
Single solenoid valve	1,5 (3.3)	1,6 (3.5)
Double solenoid valve	1,8 (4.0)	2,0 (4.4)
DG4V-5		
DC coil(s):		
Single solenoid valve	4,8 (10.6)	
Double solenoid valve	6,3 (13.9)	
AC coil(s):		
Single solenoid valve	4,0 (8.8)	
Double solenoid valve	4,5 (9.9)	
DG4S4-01-5*		
DC coil(s):		
Single solenoid valve		4,1 (9)
Double solenoid valve		4,7 (10.3)
AC coil(s):		
Single solenoid valve		4,1 (9)
Double solenoid valve		4,7 (10.3)
DG4S4W-01-6*		
DC coil(s):		
Single solenoid valve		4,8 (10.6)
Double solenoid valve		6,3 (13.9)
AC coil(s):		
Single solenoid valve		4,0 (8.8)
Double solenoid valve		4,5 (9.9)
Proportional pilot valves		
KCG-3	1,7 (3.8)	1,9 (4.2)
EHST-3	2,6 (4.8)	–

Weight of complete cartridge assembly is obtained by summing the separate values for cartridge parts and cover assembly.

Units

CVU-EFP1: See page 97

CVU-63-OD11: Contact your Vickers representative

CVU-(Z)SWD(3): See page 108

Service/Spares Policy

Inserts

All Vickers inserts are field serviceable when serviced by Vickers approved personnel. Springs, seals, spools and poppets are available, as defined in Vickers Service and Spares literature.

Covers

All covers are field serviceable providing that correct parts and test facilities are available. Contact your Vickers representative for further details.

Units

See individual service and repair policies, available from your Vickers representative.

Warranty

All warranties shall expire 12 months from the date the article is placed in service, or 24 months from the date the article is supplied, whichever is the earlier.

Extended warranty may be available under special circumstances (e.g. if used with Vickers systemic contamination control). Consult your Vickers representative for details.